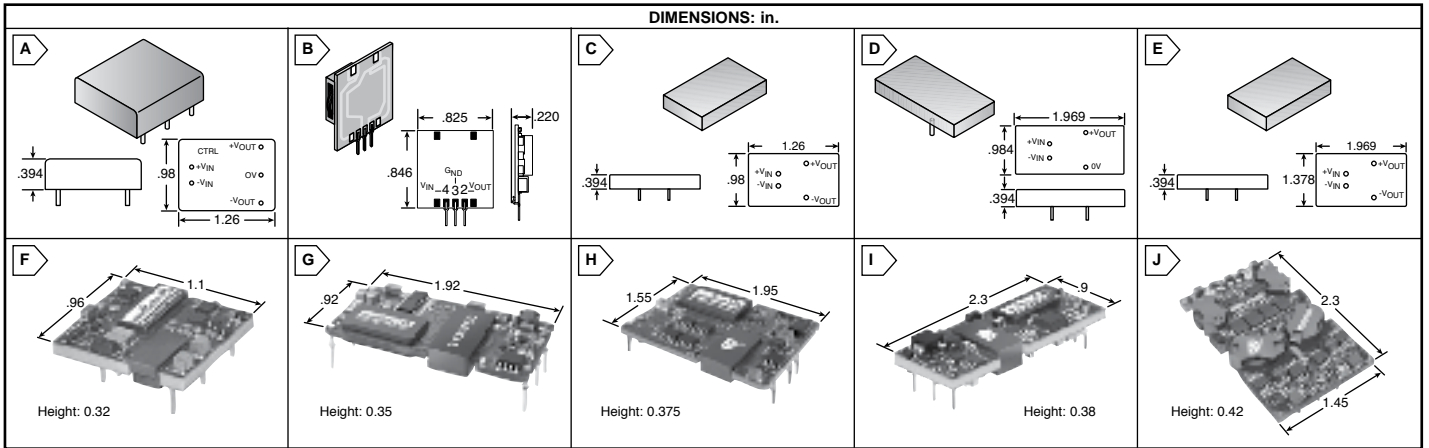


# MURATA POWER SOLUTIONS DC-DC Converters



## NDX SERIES, 7.5W ISOLATED DUAL OUTPUT

- 2:1 Wide range voltage input
- Continuous short circuit protection with current feedback
- 1kVDC Isolation
- Efficiency from 67%
- UL 94V-0 Package materials
- Low noise



RoHS Compliant

\*With CTRL pin For quantities of 25 and up, call for quote.

MOUSER STOCK NO.	MPS Part No.	Fig.	Input Volts	Output Volts	Io (A)		Price Each		
					±12.5%	±50%	1	5	10
580-NDXD2412C	NDXD2412C	A	24	±12	±78.1	±312			
580-NDXD2415C	NDXD2415C	A	24	±15	±62.5	±250			
580-NDXD2415EC	NDXD2415EC	A	24	±15	±62.5	±250			

## DATEL UEI SERIES, 15-60W ISOLATED SINGLE OUTPUT

- Isolation up to 2250 VDC (basic)
- High efficiency synchronous rectifier forward topology
- Stable no-load operation with no required external components
- -40 to 85°C temperature range (with derating)
- Extensive self-protection shut down features



RoHS Compliant

For quantities of 25 and up, call for quote.

MOUSER STOCK NO.	Datel Part No.	Fig.	Output Volts	Output		Price Each		
				Volts	Iout	1	5	10
580-UEI15-033-Q12P-C	UEI15-033-Q12P-C	F	24 (9-36)	3.3V	4.5A			
580-UEI15-050-Q12P-C	UEI15-050-Q12P-C	F	24 (9-36)	5V	3A			
580-UEI15-120-Q12P-C	UEI15-120-Q12P-C	F	24 (9-36)	12V	1.3A			
580-UEI15-150-Q12P-C	UEI15-150-Q12P-C	F	24 (9-36)	15V	1.1A			
580-UEI15-050-Q48N-C	UEI15-050-Q48N-C	F	48 (18-75)	5V	3A			
580-UEI15-120-Q48N-C	UEI15-120-Q48N-C	F	48 (18-75)	12V	1.3A			
580-UEI30-120-Q12P-C	UEI30-120-Q12P-C	G	24 (9-36)	12	2.5			
580-UEI30-150-Q12P-C	UEI30-150-Q12P-C	G	24 (9-36)	15	2			
580-UEI30-050-Q48N-C	UEI30-050-Q48N-C	G	48 (18-75)	5	6			
580-UEI30-050-Q48P-C	UEI30-050-Q48P-C	G	48 (18-75)	5	6			
580-UEI30-120-Q48N-C	UEI30-120-Q48N-C	G	48 (18-75)	12	2.5			
580-UEI30-150-Q48N-C	UEI30-150-Q48N-C	G	48 (18-75)	15	2			
580-UEI3.3/15Q12PR-C	UEI-3.3/15-Q12PR-C	H	24 (9-36)	3.3	15			
580-UEI-5/10-Q12PR-C	UEI-5/10-Q12PR-C	H	24 (9-36)	5	10			
580-UEI12/4.2-Q12P-C	UEI-12/4.2-Q12P-C	H	24 (9-36)	12	4.2			
580-UEI12/5-Q48N-C	UEI-12/5-Q48N-C	H	48 (18-75)	12	5			

## NGA SERIES, 10W NON-ISOLATED SINGLE OUTPUT

- Short circuit protection
- Efficiency to 95%
- Operating temperature: -40°C to 85°C
- Wide input range 4.5 to 28VDC
- SMD construction
- RoHS Compliant



RoHS Compliant

\*With shutdown and trim pins For quantities of 50 and up, call for quote.

MOUSER STOCK NO.	MPS Part No.	Fig.	Input Volts	Output Volts	Io (A)	Price Each			
						1	5	10	25
580-NGA10S15033SC	NGA10S15033SC	B	15	3.3	2.0				
580-NGA10S15050SC	NGA10S15050SC	B	15	5	2.0				
580-NGA10S15050DEC	NGA10S15050DEC	B	15	5	2				

## NPH SERIES, 10-25W ISOLATED SINGLE OUTPUT

- High efficiency to 87%
- 1.5kV input/output isolation
- UL 1950 Recognized (E179522)
- Industry standard pinout
- Operation to zero load
- Protected against load faults
- RoHS Compliant



RoHS Compliant

\*With trim and ss pins For quantities of 50 and up, call for quote.

MOUSER STOCK NO.	MPS Part No.	Fig.	Input Volts	Output Volts	Io (A)	Price Each			
						1	5	10	25
580-NPH10S24031C	NPH10S24031C	C	24	3.4	2.94				
580-NPH10S24031E	NPH10S24031E	C	24	3.4	2.94				
580-NPH10S24051C	NPH10S24051C	C	24	5.1	1.96				
580-NPH10S24051E	NPH10S24051E	C	24	5.1	1.96				
580-NPH10S24121C	NPH10S24121C	C	24	12.1	.83				
580-NPH10S24151C	NPH10S24151C	C	24	15.1	.67				
580-NPH10S48051C	NPH10S48051C	C	48	5.1	1.96				
580-NPH10S48121C	NPH10S48121C	C	48	12.1	.83				
580-NPH10S48151C	NPH10S48151C	C	48	15.1	.67				
580-NPH15S24031C	NPH15S24031C	D	24	3.4	4.4				
580-NPH15S24051C	NPH15S24051C	D	24	5.1	3.0				
580-NPH15S24121C	NPH15S24121C	D	24	12.1	1.3				
580-NPH15S24151C	NPH15S24151C	D	24	15.1	1.0				
580-NPH15S48051C	NPH15S48051C	D	48	5.1	3.0				
580-NPH15S48121C	NPH15S48121C	D	48	12.1	1.3				
580-NPH25S24031C	NPH25S24031C	E	24	3.4	7.3				
580-NPH25S24051C	NPH25S24051C	E	24	5.1	5				
580-NPH25S24121C	NPH25S24121C	E	24	12.1	2.1				
580-NPH25S24151C	NPH25S24151C	E	24	15.1	1.7				
580-NPH25S48031C	NPH25S48031C	E	48	3.4	7.3				
580-NPH25S48151C	NPH25S48151C	E	48	15.1	1.7				

## DATEL UWE SERIES, 66-75W ISOLATED SINGLE OUTPUT EIGHTH BRICK

- Synchronous rectification yields very high efficiency and low power dissipation
- Operating temperature range from -40 to +85°C with derating
- Up to 1500 Volt DC isolation (basic insulation)
- Outstanding thermal performance and derating
- Extensive self-protection, overtemperature and overload features with no output reverse conduction
- On/Off control, trim and remote sense functions



RoHS Compliant

\*With baseplate For quantities of 25 and up, call for quote.

MOUSER STOCK NO.	Datel Part No.	Fig.	Output Volts	Output		Price Each		
				Volts	Iout	1	5	10
580-UWE-3.3/20Q12PBC	UWE-3.3/20-Q12PB-C	I	12 (9-36)	3.3	20			
580-UWE-5/15-Q12PBC	UWE-5/15-Q12PB-C	I	12 (9-36)	5	15			
580-UWE-12/6-Q12P-C	UWE-12/6-Q12P-C	I	12 (9-36)	12	6			
580-UWE-12/6-Q12PBC	UWE-12/6-Q12PB-C	I	12 (9-36)	12	6			
580-UWE-15/5-Q12PBC	UWE-15/5-Q12PB-C	I	12 (9-36)	15	5			
580-UWE-24/3-Q12PBC	UWE-24/3-Q12PB-C	I	12 (9-36)	24	3			

## DATEL UVQ SERIES, 96-120W ISOLATED SINGLE OUTPUT QUARTER BRICK

- Fully isolated, 2250Vdc (BASIC) insulation
- Output overvoltage/short-circuit protected
- On/Off control, trim and sense functions
- High efficiency to 92%
- Protected against temp. and voltage limits



RoHS Compliant

\*With baseplate For quantities of 25 and up, call for quote.

MOUSER STOCK NO.	Datel Part No.	Fig.	Output Volts	Output		Price Each		
				Volts	Iout	1	5	10
580-UVQ12-8-D24PBC	UVQ-12/8-D24PB-C	J	24 (18-36)	12	8			
580-UVQ18-5.6-D24PBC	UVQ-18/5.6-D24PB-C	J	24 (18-36)	18	5.6			
580-UVQ-24/4.5-D24P-C	UVQ-24/4.5-D24P-C	J	24 (18-36)	24	4.5			
580-UVQ12-10-D48N-C	UVQ-12/10-D48N-C	J	48 (36-75)	12	10			
580-UVQ15-7-D48N-C	UVQ-15/7-D48N-C	J	48 (36-75)	15	7			
580-UVQ18-6-D48N-C	UVQ-18/6-D48N-C	J	48 (36-75)	18	6			