

# MEASUREMENT SPECIALTIES Temperature & Humidity Sensors



## TEMPERATURE AND HUMIDITY MODULE

### Features:

- The best combination of cost effectiveness and performance
- Stable, linear proportional frequency output from 10 to 95% RH.
- Calibrated within +/- 5% RH @ 55% RH.
- 10 kohm +/- 3% NTC temperature sensor (1% optional)
- Stable and reproducible characteristics with temperature.
- High reliability and long term stability.

### Humidity Sensor Specific Features

- Instantaneous De-Saturation After Long Periods in Saturation Phase.
- Fast Response Time.
- Patented Solid Polymer Structure.

### Temperature Sensor Specific Features

- High Quality Thermistor
- Stable
- High Sensitivity

### Specifications:

- Storage Temperature: -40 to 85°C
- Storage Humidity Range: 0 to 100%RH
- Humidity Operating Range: 0 to 99%RH
- Temperature Operating Range: -30 to 80°C

For quantities of 50 and up, call for quote.

MOUSER STOCK NO.	MSI Sensors Part No.	Fig.	Description	Supply Voltage (Peak)	Price Each		
					1	10	25
824-HTF3226LF	HTF3226LF	A	Humidity and Temperature Transducer	7 VDC			

## TEMPERATURE AND HUMIDITY MODULE

### Features:

- One of the smallest humidity/temperature modules on the market
- Stable, proportional frequency output from 10 to 100% RH
- Calibrated within +/- 3% RH @ 55% RH at 3.30 RH
- High quality thermistor
- Stable characteristics with temperature
- High reliability and long term stability

### Humidity Sensor Specific Features

- Instantaneous De-Saturation After Long Periods in Saturation Phase
- Fast Response Time
- Patented Solid Polymer Structure

### Temperature Sensor Specific Features

- 10 kS+/- 1% NTC temperature sensor
- Stable
- High Sensitivity

### Specifications:

- Storage Temperature: -40 to 85°C
- Storage Humidity Range: 0 to 100%RH
- Humidity Operating Range: 0 to 99%RH
- Temperature Operating Range: -40 to 85°C

For quantities of 50 and up, call for quote.

MOUSER STOCK NO.	MSI Sensors Part No.	Fig.	Description	Supply Voltage (Peak)	Price Each		
					1	10	25
824-HTF3000LF	HTF3000LF	B	Humidity and Temperature Transducer	16 VDC			

## RELATIVE HUMIDITY MODULE

### Features:

- Tubular Form for Through Wall Mounting
- Not Affected by Water Condensation
- Full Interchangeability
- Typical 1 to 1.6 Volt DC Output for 0 to 20%RH at 5V DC Supply

- Calibrated, Linear Voltage for Easy Electronic Interface
- Controlled Temperature Dependency
- Ratiometric to Voltage Supply

### Specifications:

- Operating Range: 0 to 100% RH
- Operating Range (Dew Point): -50 to 30°C
- Operating Range in Temp: -30 to 60°C

For quantities of 50 and up, call for quote.

MOUSER STOCK NO.	MSI Sensors Part No.	Fig.	Description	Supply Voltage (Peak)	Price Each		
					1	10	25
824-HM1520LF	HM1520LF	C	Humidity Transducer	12 VDC			

## RELATIVE HUMIDITY MODULE

### Features:

- Suitable for direct board assembly
- Not Affected by Repeated Condensations
- Full Interchangeability
- High Reliability and Long Term Stability
- Typical 1 to 3.6 Volt DC Output for

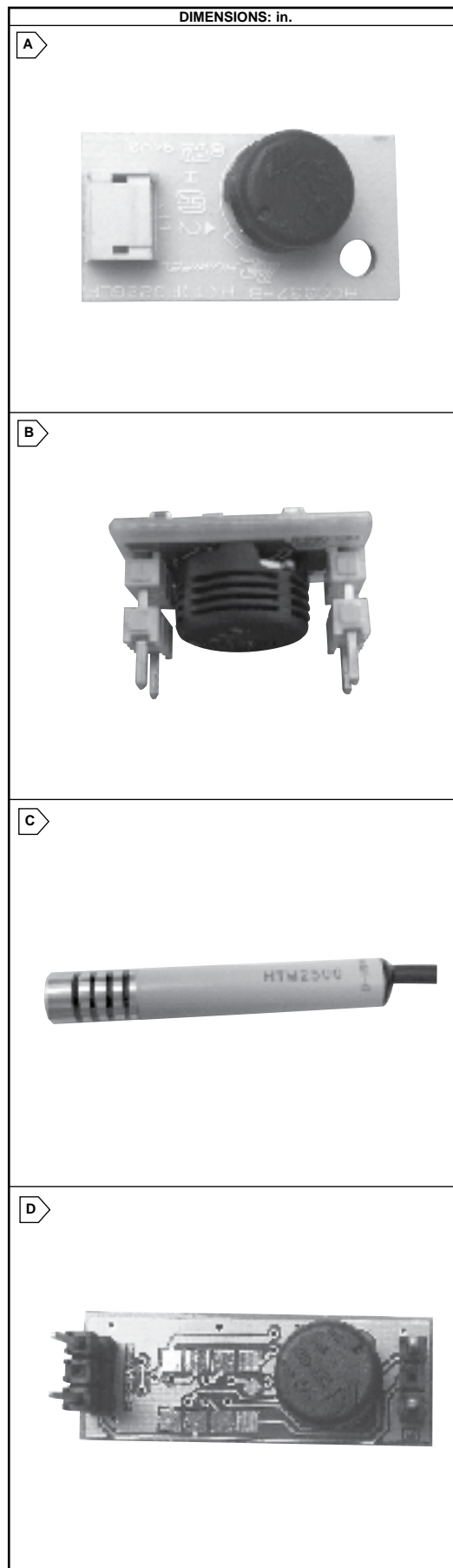
- 0 to 100% RH at 5V DC
- Humidity Calibrated Within ±2% RH 55% RH
- Temperature Measurement through NTC 10kΩ ±3% direct input

### Specifications:

- Storage Temperature: -40 to 105°C
- Humidity Operating Range: 0 to 100% RH
- Temperature Operating Range: -40 to 100°C
- Maximum Output Current (Peak): 5mA
- Maximum Power: 20mW

For quantities of 50 and up, call for quote.

MOUSER STOCK NO.	MSI Sensors Part No.	Fig.	Description	Supply Voltage (Peak)	Price Each		
					1	10	25
824-HTM1735LF	HTM1735LF	D	Humidity and Temperature Transducer	7 VDC			



Measurement Specialties Temperature & Humidity