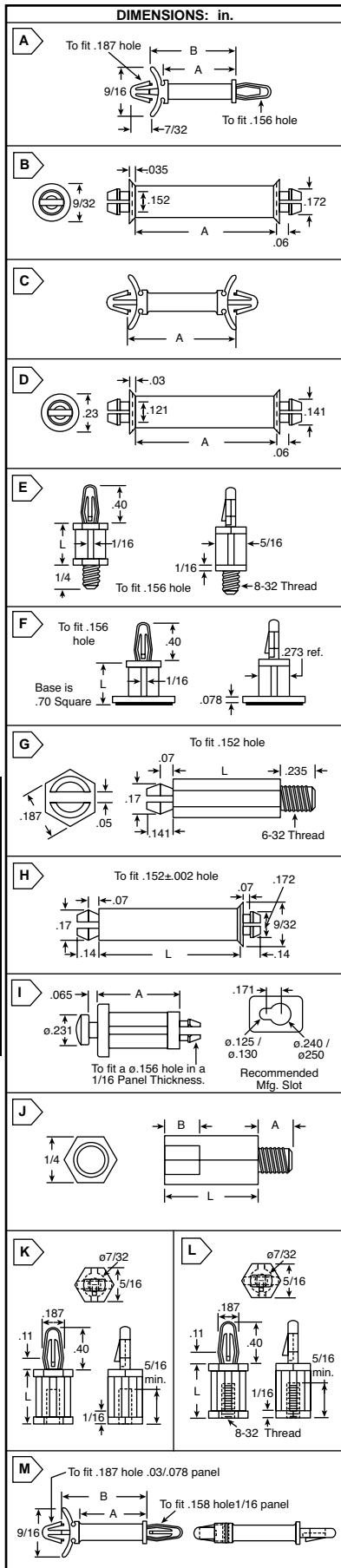


EAGLE PLASTIC DEVICES Nylon PCB Hardware



This product is RoHS compliant.



PCB SUPPORTS

“Lock/Tension” Series

Designed to lock to bottom chassis and snap into a 1/16" thick panel.

For quantities greater than listed, call for quote.

MOUSER STOCK NO.	Fig.	Dimensions (in.)			Price Each			
		A	B		1	100	500	1000
561-LT187	A	.187	.307					
561-LT250	A	.250	.365					
561-LT375	A	.375	.495					
561-LT437	A	.437	.557					
561-LT500	A	.500	.625					
561-LT625	A	.625	.745					
561-LT875	A	.875	.995					
561-LT1000	A	1.000	1.120					

“DSP”, “DLP”, and “DMSP” Series

- DSP: both ends fit a .156" hole
- DMSP: both ends fit a .125" hole
- DLP: both ends fit a .187" hole

For quantities greater than listed, call for quote.

MOUSER STOCK NO.	Fig.	Dimensions (in.)			Price Each			
		A			1	100	500	1000
561-DSP125	B	.125						
561-DSP250	B	.250						
561-DSP375	B	.375						
561-DSP437	B	.437						
561-DSP500	B	.500						
561-DSP750	B	.750						
561-DSP1000	B	1.000						
561-DLP250	C	.365						
561-DLP375	C	.495						
561-DLP500	C	.625						
561-DLP750	C	.87						
561-DLP1000	C	1.12						
561-DMSP125	D	.125						
561-DMSP250	D	.250						
561-DMSP375	D	.375						
561-DMSP437	D	.437						
561-DMSP500	D	.500						
561-DMSP750	D	.750						
561-DMSP1000	D	1.000						

PCB LOCKING SUPPORTS

Male Threaded

For quantities greater than listed, call for quote.

MOUSER STOCK NO.	Fig.	Length (in.)	Price Each			
			1	100	500	1000
561-LMTP250	E	1/4				
561-LMTP375	E	3/8				
561-LMTP500	E	1/2				
561-LMTP625	E	5/8				
561-LMTP750	E	3/4				
561-LMTP1000	E	1				

Adhesive Base

For quantities greater than listed, call for quote.

561-LAD187	F	3/16				
561-LAD250	F	1/4				
561-LAD375	F	3/8				
561-LAD500	F	1/2				
561-LAD625	F	5/8				
561-LAD750	F	3/4				
561-LAD1000	F	1				

MALE PCB SUPPORT POSTS

For quantities greater than listed, call for quote.

561-MTP125	G	1/8				
561-MTP250	G	1/4				
561-MTP500	G	1/2				
561-MTP750	G	3/4				
561-MTP875	G	7/8				

PCB POSTS

For quantities greater than listed, call for quote.

561-A0250	H	.250				
561-A0312	H	.312				
561-A0375	H	.375				
561-A0500	H	.500				
561-A0625	H	.625				
561-A0750	H	.750				
561-A1000	H	1.000				

KEY-SLOT PCB POSTS

For use in combination with a key-slot so that the circuit board may be removed for repairs.

For quantities greater than listed, call for quote.

MOUSER STOCK NO.	Fig.	A (in.)	Price Each			
			1	100	500	1000
561-KYP187	I	3/16				
561-KYP625	I	5/8				

MALE-FEMALE THREADED STANDOFFS

For quantities greater than listed, call for quote.

MOUSER STOCK NO.	Fig.	Dimensions (in.)			Price Each			
		A	B	L	1	100	500	1000
440 Thread								
561-MF440-25	J	.1875	.1875	.25				
561-MF440-37	J	.1875	.1875	.375				
561-MF440-50	J	.1875	.1875	.5				
561-MF440-62	J	.1875	.1875	.625				
561-MF440-75	J	.1875	.1875	.75				
561-MF440-87	J	.1875	.1875	.875				
561-MF440-100	J	.1875	.1875	1				
561-MF440-125	J	.1875	.1875	1.25				
561-MF440-137	J	.1875	.1875	1.375				
561-MF440-150	J	.1875	.1875	1.5				
561-MF440-200	J	.1875	.1875	2				
632 Thread								
561-MF632-25	J	.25	.219	.25				
561-MF632-375	J	.25	.25	.375				
561-MF632-50	J	.25	.25	.5				
561-MF632-62	J	.25	.25	.625				
561-MF632-75	J	.25	.25	.75				
561-MF632-87	J	.25	.25	.875				
561-MF632-100	J	.25	.25	1				
561-MF632-125	J	.25	.25	1.25				
561-MF632-150	J	.25	.25	1.5				
561-MF632-162	J	.25	.25	1.625				
561-MF632-175	J	.25	.25	1.75				
561-MF632-200	J	.25	.25	2				
832 Thread								
561-MF832-25	J	.25	.2	.25				
561-MF832-37	J	.375	.27	.375				
561-MF832-50	J	.375	.375	.5				
561-MF832-62	J	.375	.375	.625				
561-MF832-75	J	.375	.375	.75				
561-MF832-100	J	.375	.375	1				
561-MF832-112	J	.375	.375	1.125				
561-MF832-125	J	.375	.375	1.25				
561-MF832-150	J	.375	.375	1.5				
561-MF832-200	J	.375	.375	2				

FEMALE NYLON CIRCUIT BOARD POSTS

Note: Self-threading posts are designed for use with a #6 self-tapping screw.

- Recommended hole size: .156" • 1/4" length has a thread depth of 13/64"
- Panel thickness: 1/16"

For quantities greater than listed, call for quote.

MOUSER STOCK NO.	Fig.	Thread	Length (in.)	Price Each			
				1	100	500	1000
561-FSTP250	K	Self	.250				
561-FSTP375	K	Self	.375				
561-FSTP500	K	Self	.500				
561-FSTP625	K	Self	.625				
561-FSTP750	K	Self	.750				
561-FSTP1000	K	Self	1.000				
561-FTP250	L	8-32	.250				
561-FTP375	L	8-32	.375				
561-FTP500	L	8-32	.500				
561-FTP625	L	8-32	.625				
561-FTP750	L	8-32	.750				
561-FTP1000	L	8-32	1.000				

NYLON PCB SUPPORTS

“LOCK/LOCK” SERIES

The “LLP” series is designed to securely lock both the chassis end and the printed circuit board on top.

For quantities greater than listed, call for quote.

MOUSER STOCK NO.	Fig.	A	B	Price Each			
				1	100	500	1000
561-LLP187	M	.187	.307				
561-LLP250	M	.250	.365				
561-LLP375	M	.375	.495				
561-LLP500	M	.500	.625				
561-LLP625	M	.625	.745				
561-LLP1000	M	1.000	1.120				