

SCHRACK PTH and XT Series

RoHS Compliant This product is RoHS compliant.

Tyco Electronics

Authorized Distributor

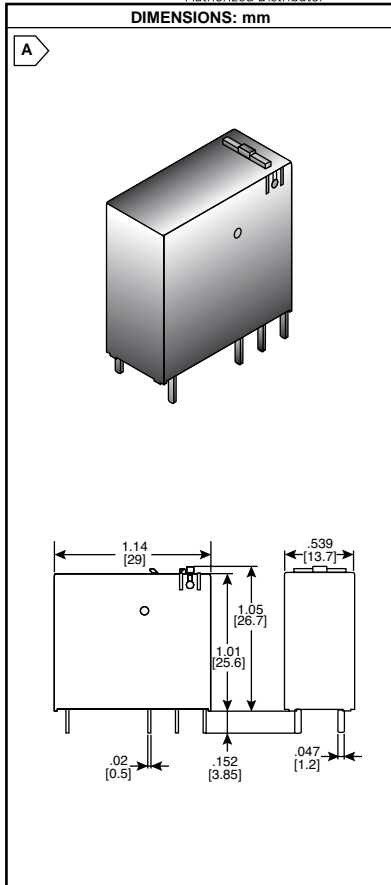
XT SERIES INTERFACE PLUG-IN RELAYS

Slim, compact general purpose relay in one or two pole configurations for plug-in or printed circuit board mounting. This is Tyco's smallest plug-in relay and is intended for use in industrial machinery, commercial & building equipment and more.

- Features:**
- Choice of SPDT or DPDT models
 - SPDT rated 16A @ 240VAC
 - DPDT rated 8A @ 400VAC
 - Plugs into same sockets as RT series relays
 - Sensitive DC coil (400mW) or AC coil (.58VA @ 6)
 - Compact design is only .54 in. (13.7mm) wide
 - Test lever, mechanical indicator LED indicator and protection diode options
 - 4kV (8mm) coil-to-contact isolation
 - Reinforced insulation, protection class II (VDE 0700)
 - Contact material: AgNi 90/10

For quantities of 100 and up, call for quote.

MOUSER STOCK NO.	Tyco Electronics Part No.	Schrack Part Number	Fig.	Coil Voltage	Contact Form	Rate Current	Rated Coil Power	Price Each			
								1	25	50	100
655-XT314012	1887100-2	XT314012	A	12VDC	SPDT	16A	400mW				
655-XT374LB2	1887112-3	XT374LB2	A	12VDC	SPDT	16A	400mW				
655-XT314024	1887100-3	XT314024	A	24VDC	SPDT	16A	400mW				
655-XT374LC4	1887112-1	XT374LC4	A	24VDC	SPDT	16A	400mW				
655-XT314524	1887101-3	XT314524	A	24VAC	SPDT	16A	0.76VA				
655-XT374R24	1887113-3	XT374R24	A	24VAC	SPDT	16A	0.76VA				
655-XT314615	1887101-7	XT314615	A	115VAC	SPDT	16A	0.76VA				
655-XT374S15	1887113-4	XT374S15	A	115VAC	SPDT	16A	0.76VA				
655-XT374T30	1887113-1	XT374T30	A	230VAC	SPDT	16A	0.74VA				
655-XT424012	1887200-2	XT424012	A	12VDC	DPDT	8A	400mW				
655-XT484LB2	1887212-3	XT484LB2	A	12VDC	DPDT	8A	400mW				
655-XT424024	1887200-3	XT424024	A	24VDC	DPDT	8A	400mW				
655-XT484LC4	1887212-1	XT484LC4	A	24VDC	DPDT	8A	400mW				
655-XT424524	1887201-3	XT424524	A	24VAC	DPDT	8A	0.76VA				
655-XT484R24	1887213-3	XT484R24	A	24VAC	DPDT	8A	0.76VA				
655-XT424615	1887201-7	XT424615	A	115VAC	DPDT	8A	0.76VA				
655-XT484S15	1887213-4	XT484S15	A	115VAC	DPDT	8A	0.76VA				
655-XT484T30	1887213-1	XT484T30	A	230VAC	DPDT	8A	0.74VA				



PTH SERIES GENERAL PURPOSE RELAYS

Miniature general purpose relay in two or four pole configurations for either plug-in or printed circuit board mounting. Advanced design has fewer parts than similar competitive relays, utilizes no braided wire and has no welds or solder joints in the contact area. Various functional circuits optionally available.

- Features:**
- Choice of 4PDT or DPDT models
 - 4PDT rated 6A @ 250VAC
 - DPDT rated 12A @ 250VAC
 - Plug in or PC board types
 - Range of AC and DC coils
 - Optional integral LED (DC-green/AC-red), protection diode, resistor-capacitor network available
 - No braided wire in the relay
 - No welds or solder joints in the contact area
 - Has fewer parts than similar relays
 - Standard miniature base plugs into a wide range of available sockets
 - Case height matches many existing designs
 - UL recognized; file E58304
 - Contact material: silver-nickel

For quantities of 100 and up, call for quote.

MOUSER STOCK NO.	Tyco Electronics Part No.	Schrack Part Number	Fig.	Coil Voltage	Contact Form	Nominal Coil Current	Termination	Price Each			
								1	25	50	100
655-PT52AR12B	1721220-2	PT52AR12B	B	12VAC	4PDT	70.5mA	Plug-in				
655-PT52A512B	1721219-2	PT52A512B	B	12VAC	4PDT	70.5mA	Plug-in				
655-PT52B012B	1721243-2	PT52B012B	B	12VDC	4PDT	62.5mA	PCB/Solder				
655-PT52A012B	1721227-2	PT52A012B	B	12VDC	4PDT	62.5mA	Plug-in				
655-PT52AR24B	1721220-3	PT52AR24B	B	24VAC	4PDT	33.0mA	Plug-in				
655-PT52A524B	1721219-3	PT52A524B	B	24VAC	4PDT	33.0mA	Plug-in				
655-PT52B024B	1721243-3	PT52B024B	B	24VDC	4PDT	30.8mA	PCB/Solder				
655-PT52A024B	1721227-3	PT52A024B	B	24VDC	4PDT	30.8mA	Plug-in				
655-PT52AS15B	1721220-7	PT52AS15B	B	115VAC	4PDT	7.5mA	Plug-in				
655-PT52A615B	1721219-7	PT52A615B	B	115VAC	4PDT	7.5mA	Plug-in				
655-PT22AR12B	1721216-2	PT22AR12B	B	12VAC	DPDT	70.5mA	Plug-in				
655-PT22A512B	1721215-2	PT22A512B	B	12VAC	DPDT	70.5mA	Plug-in				
655-PT22B012B	1721239-2	PT22B012B	B	12VDC	DPDT	62.5mA	PCB/Solder				
655-PT22A012B	1721223-2	PT22A012B	B	12VDC	DPDT	62.5mA	Plug-in				
655-PT22AR24B	1721216-3	PT22AR24B	B	24VAC	DPDT	33.0mA	Plug-in				
655-PT22A524B	1721215-3	PT22A524B	B	24VAC	DPDT	33.0mA	Plug-in				
655-PT22B024B	1721239-3	PT22B024B	B	24VDC	DPDT	30.8mA	PCB/Solder				
655-PT22A024B	1721223-3	PT22A024B	B	24VDC	DPDT	30.8mA	Plug-in				
655-PT22AS15B	1721216-7	PT22AS15B	B	115VAC	DPDT	7.5mA	Plug-in				
655-PT22A615B	1721215-7	PT22A615B	B	115VAC	DPDT	7.5mA	Plug-in				

