

# OMRON Power PCB Relays



## OMRON G6M SERIES: SIL PACKAGE POWER PCB RELAYS

### Specifications:

- Contact rating: 3A @ 250VAC/30VDC
- Max. switching current: 5A
- Power consumption: 120mW fully sealed construction



For quantities of 500 and up, call for quote.

MOUSER STOCK NO.	Omron Part Number	Fig.	Contact Form	Rated Coil Voltage	Rated Coil Current	Price Each			
						1	25	50	100
653-G6M-1A-DC5	G6M-1A-DC5	A1	SPST-NO	5VDC	24mA				
653-G6M-1A-DC12	G6M-1A-DC12	A1	SPST-NO	12VDC	10mA				
653-G6M-1A-DC24	G6M-1A-DC24	A1	SPST-NO	24VDC	5mA				

## OMRON G6RL SERIES: LOW-PROFILE POWER RELAYS

### Specifications:

- Max. switching: 10A
- Low profile: 12.3mm in height
- Dielectric strength: 5kV
- Clearance & creepage distance: 10mm



For quantities of 500 and up, call for quote.

MOUSER STOCK NO.	Omron Part Number	Fig.	Contact Form	Rated Coil Voltage	Rated Coil Current	Price Each			
						1	25	50	100
<b>Standard, Flux Protection Enclosure Rating, AgNi Contact Material</b>									
653-G6RL-1A-DC3	G6RL-1A-DC3	B2	SPST-NO	3 VDC	73.3 mA				
653-G6RL-1-DC5	G6RL-1-DC5	B2	SPDT	5VDC	44mA				
653-G6RL-1-DC12	G6RL-1-DC12	B2	SPDT	12VDC	18.3mA				
653-G6RL-1-DC24	G6RL-1-DC24	B2	SPST-NO	24VDC	9.2mA				
653-G6RL-1A-DC5	G6RL-1A-DC5	B2	SPST-NO	5 VDC	44 mA				
653-G6RN-1-DC48	G6RN-1-DC48	C3	SPDT	48 VDC	5.2 mA				
653-G6RL-1A-DC12	G6RL-1A-DC12	B2	SPDT	12VDC	18.3mA				
653-G6RL-1A-DC24	G6RL-1A-DC24	B2	SPST-NO	24VDC	9.2mA				
<b>Standard, Fully Sealed Enclosure Rating, AgSnIn Contact Material</b>									
653-G6RL-14-ASIDC5	G6RL-14-ASI DC5	B2	SPDT	5VDC	44mA				
653-G6RL-14-ASIDC12	G6RL-14-ASI DC12	B2	SPDT	12VDC	18.3mA				
653-G6RL-14-ASIDC24	G6RL-14-ASI DC24	B2	SPDT	24VDC	9.2mA				
653-G6RL-1A4-ASIDC5	G6RL-1A4-ASI DC5	B4	SPST-NO	5VDC	44mA				
653-G6RL-1A4-ASIDC12	G6RL-1A4-ASI DC12	B4	SPST-NO	12VDC	18.3mA				
653-G6RL-1A4-ASIDC24	G6RL-1A4-ASI DC24	B4	SPST-NO	24VDC	9.2mA				
<b>Standard, Flux Protection Enclosure Rating, AgSnIn Contact Material</b>									
653-G6RL-1-ASIDC12	G6RL-1-ASI DC12	B2	SPDT	12VDC	18.3mA				
653-G6RL-1-ASIDC24	G6RL-1-ASI DC24	B2	SPDT	24VDC	9.2mA				
653-G6RL-1A-ASIDC12	G6RL-1A-ASI DC12	B4	SPST-NO	12VDC	18.3mA				
653-G6RL-1A-ASIDC24	G6RL-1A-ASI DC24	B4	SPST-NO	24VDC	9.2mA				
<b>Shock Resistant, Flux Protection Enclosure Rating, AgSnIn Contact Material</b>									
653-G6RL-1-SRASIDC24	G6RL-1-SR-ASI DC24	B2	SPDT	24VDC	12.6mA				

## OMRON G6RN SERIES: HEAVY DUTY MINIATURE RELAYS

### Specifications:

- Rated switching current: 8A @ 250VAC/ 5A @ 30VDC
- Contact material: AgNi + gold plating
- Power consumption: 220mW
- Plastic-sealed construction



For quantities of 500 and up, call for quote.

MOUSER STOCK NO.	Omron Part Number	Fig.	Contact Form	Rated Coil Voltage	Rated Coil Current	Price Each			
						1	25	50	100
653-G6RN-1-DC5	G6RN-1-DC5	C3	SPDT	5VDC	44mA				
653-G6RN-1-DC12	G6RN-1-DC12	C3	SPDT	12VDC	18.3mA				
653-G6RN-1-DC24	G6RN-1-DC24	C3	SPDT	24VDC	9.2mA				
653-G6RN-1-DC48	G6RN-1-DC48	C3	SPDT	48 VDC	5.2 mA				
653-G6RN-1A-DC5	G6RN-1A-DC5	C3	SPST-NO	5 VDC	44 mA				
653-G6RN-1A-DC12	G6RN-1A-DC12	C3	SPST-NO	12VDC	18.3mA				
653-G6RN-1A-DC24	G6RN-1A-DC24	C3	SPST-NO	24VDC	9.2mA				

## OMRON G8PT SERIES: HEAVY DUTY COMPACT POWER PCB RELAYS

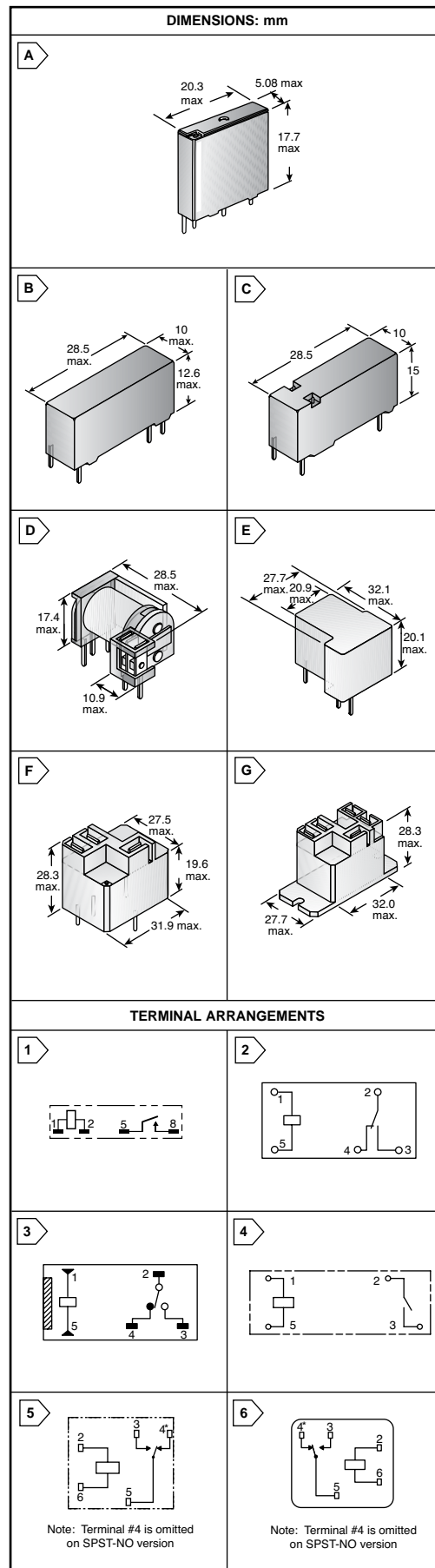
### Specifications:

- Contact rating: SPST-NO - 30A @ 250 VAC/20A @ 28VDC  
SPDT - 20A (NO)/10A (NC) @ 250VAC
- Power consumption: 900mW
- Class F insulation
- Impulse withstand voltage: 6,000V between coil and contacts
- Contact material: Ag Alloy



For quantities of 500 and up, call for quote.

MOUSER STOCK NO.	Omron Part Number	Fig.	Contact Form	Rated Coil Voltage	Rated Coil Current	Price Each			
						1	25	50	100
<b>Open Frame, PCB Mount</b>									
653-G8P-1AP-DC5	G8P-1AP-DC5	D5	SPST-NO	5VDC	185mA				
653-G8P-1AP-DC12	G8P-1AP-DC12	D5	SPST-NO	12VDC	77mA				
653-G8P-1AP-DC24	G8P-1AP-DC24	D5	SPST-NO	24VDC	36mA				
<b>Sealed with Ventable Nib, PCB Mount</b>									
653-G8P-1A4P-DC5	G8P-1A4P-DC5	E6	SPST-NO	5VDC	185mA				
653-G8P-1A4P-DC12	G8P-1A4P-DC12	E6	SPST-NO	12VDC	77mA				
653-G8P-1A4PDC15	G8P-1A4P DC15	E6	SPST-NO	15VDC	59mA				
653-G8P-1A4P-DC24	G8P-1A4P-DC24	E6	SPST-NO	24VDC	36mA				
653-G8P-1C4P-DC5	G8P-1C4P-DC5	E6	SPDT	5VDC	185mA				
653-G8P-1C4P-DC12	G8P-1C4P-DC12	E6	SPDT	12VDC	77mA				
653-G8P-1C4P-DC24	G8P-1C4P-DC24	E6	SPDT	24VDC	36mA				
<b>Sealed with Ventable Nib, PCB &amp; QC Load Terminals</b>									
653-G8P-1A4TP-DC12	G8P-1A4TP-DC12	F6	SPST-NO	12VDC	77mA				
653-G8P-1A4TP-DC24	G8P-1A4TP-DC24	F6	SPST-NO	24VDC	36mA				
653-G8P-1C4TP-DC24	G8P-1C4TP-DC24	F6	SPDT	24VDC	36mA				
<b>Vented, Flange Mount with QC Terminals</b>									
653-G8P-1A2T-F-DC12	G8P-1A2T-F-DC12	G6	SPST-NO	12VDC	77mA				
653-G8P-1A2T-F-DC24	G8P-1A2T-F-DC24	G6	SPST-NO	24VDC	36mA				
653-G8P-1C2T-FDC5	G8P-1C2T-F DC5	G6	SPDT	5VDC	185mA				
653-G8P-1C2T-F-DC12	G8P-1C2T-F-DC12	G6	SPDT	12VDC	77mA				
653-G8P-1C2T-F-DC24	G8P-1C2T-F-DC24	G6	SPDT	24VDC	36mA				



Omron

PCB Relays