

FUJITSU Power Relays

FTR-MY SERIES: 1 POLE - SLIM POWER RELAY

Features:

- Width: 5mm
- Height: 12mm
- Weight: 2.5g

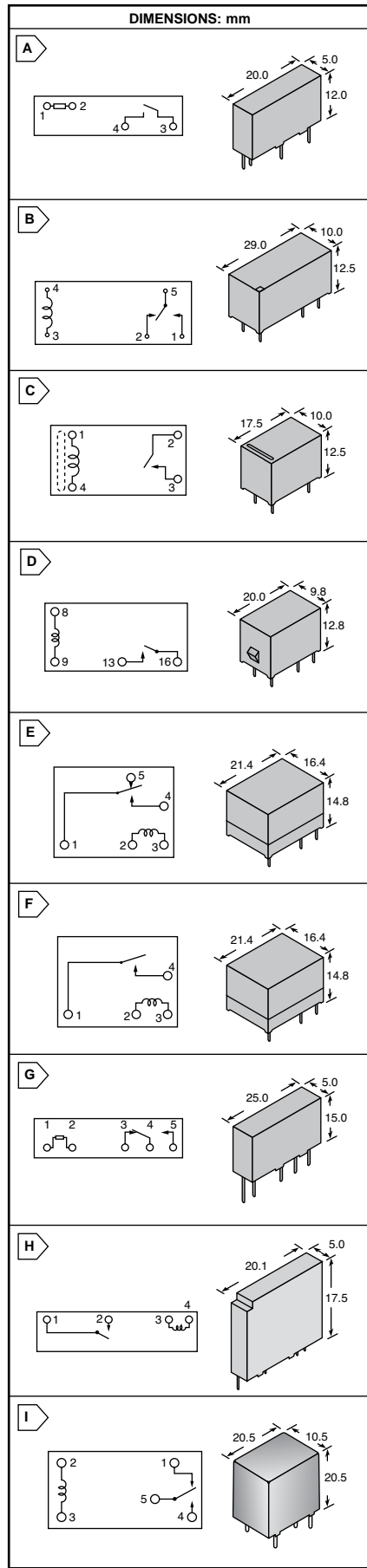
- High Sensitive
- High reliability
- Dielectric Strength: 3000VAC



RoHS Compliant

For quantities of 2500 and up, call for quote.

MOUSER STOCK NO.	Fujitsu Part No.	Fig.	Contact Form	Nominal Voltage (VDC)	Contact Rating	Price Each			
						1	100	500	1000
817-FTR-MYAA005D	FTR-MYAA005D	A	SPST-NO	5	5A				
817-FTR-MYAA012D	FTR-MYAA012D	A	SPST-NO	12	5A				



JS SERIES: 1 POLE - 8 A (MEDIUM LOAD CONTROL)

Features:

- Low profile and space saving
- High sensitivity in small package
- Plastic sealed type

- UL Class B (130°C) insulation
- UL, CSA, VDE, SEV, SEMKO, FIMKO, BSI recognized



RoHS Compliant

For quantities of 2500 and up, call for quote.

MOUSER STOCK NO.	Fujitsu Part No.	Fig.	Contact Form	Nominal Voltage (VDC)	Contact Rating	Price Each			
						1	100	500	1000
817-JS-24-K	JS-24-K	B	SPDT	24	8A				
817-JS-5E-K	JS-5E-K	B	SPDT	5	8A				
817-JS-12E-K	JS-12E-K	B	SPDT	12	8A				
817-JS-24E-K	JS-24E-K	B	SPDT	24	8A				

JV SERIES: 1 POLE - 5 A (MEDIUM LOAD CONTROL)

Features:

- Low profile and space saving
- High sensitivity in small package
- Plastic sealed type

- Cadmium free contacts
- High Insulation with reinforced insulation system



RoHS Compliant

For quantities of 2500 and up, call for quote.

MOUSER STOCK NO.	Fujitsu Part No.	Fig.	Contact Form	Nominal Voltage (VDC)	Contact Rating	Price Each			
						1	100	500	1000
817-JV-12S-KT	JV-12S-KT	C	SPST-NO	12	5A				
817-JV-24S-KT	JV-24S-KT	C	SPST-NO	24	5A				
817-JV-24KT	JV-24KT	C	SPST-NO	24	5A				

JY SERIES: 1 POLE - 3, 5 A (MEDIUM LOAD CONTROL)

Features:

- High sensitivity and low power consumption
- High isolation
- Wide operating temperature range

- DIL through-hole terminals
- Plastic sealed type
- UL, CSA, VDE recognized



RoHS Compliant

For quantities of 2500 and up, call for quote.

MOUSER STOCK NO.	Fujitsu Part No.	Fig.	Contact Form	Nominal Voltage (VDC)	Contact Rating	Price Each			
						1	100	500	1000
817-JY-12H-K	JY-12H-K	D	SPST-NO	12	5A				
817-JY-24H-K	JY-24H-K	D	SPST-NO	24	5A				

LZ SERIES: 1 POLE - 1, 3, 5, 10 A (MEDIUM LOAD CONTROL)

Features:

- 4 kinds of contact ratings
- Standard and high sensitivity types available

- High surge strength version available
- Printed circuit terminals - fits grid with 0.1 inch
- UL class B (130°C) insulation type



RoHS Compliant

For quantities of 2500 and up, call for quote.

MOUSER STOCK NO.	Fujitsu Part No.	Fig.	Contact Form	Nominal Voltage (VDC)	Contact Rating	Price Each			
						1	100	500	1000
817-LZ-12H-K	LZ-12H-K	E	SPDT	12	5A				
817-LZ-24HS-K	LZ-24HS-K	E	SPDT	24	5A				
817-LZ-12VM-K	LZ-12VM-K	F	SPST-NO	12	10A				

FTR-LY SERIES: 1 POLE - 6A (MEDIUM LOAD CONTROL)

Features:

- Slim Design
- High insulation in small package
- Insulation distance: 8mm min.
- Dielectric strength: 4000VAC

- UL, CSA, VDE Recognized
- Cadmium Free Contacts
- Contact Material: Silver Alloy



RoHS Compliant

For quantities of 2500 and up, call for quote.

MOUSER STOCK NO.	Fujitsu Part No.	Fig.	Contact Form	Nominal Voltage (VDC)	Contact Rating	Price Each			
						1	100	500	1000
817-FTR-LYAA005Y	FTR-LYAA005Y	G	1 Form A	5	6A				
817-FTR-LYAA012Y	FTR-LYAA012Y	G	1 Form A	12	6A				
817-FTR-LYAA024Y	FTR-LYAA024Y	G	1 Form A	24	6A				
817-FTR-LYCA005Y	FTR-LYCA005Y	G	1 Form C	5	6A				
817-FTR-LYCA012Y	FTR-LYCA012Y	G	1 Form C	12	6A				
817-FTR-LYCA024Y	FTR-LYCA024Y	G	1 Form C	24	6A				

NY SERIES: 1 POLE - 5A ULTRA SLIM 5MM THICKNESS

Features:

- Ultra slim type with 5mm thickness
- Low power consumption and high sensitivity
- Wide operating range
- SIP through-hole terminals

- Plastic sealed type
- UL, CSA, VDE recognized
- Cadmium free contacts



RoHS Compliant

For quantities of 2500 and up, call for quote.

MOUSER STOCK NO.	Fujitsu Part No.	Fig.	Contact Form	Nominal Voltage (VDC)	Contact Rating	Price Each			
						1	100	500	1000
817-NY-12W-K	NY-12W-K	H	SPST-NO	12	5A				
817-NY-24W-K	NY-24W-K	H	SPST-NO	24	5A				

VE SERIES: 1 POLE - 5 A (MEDIUM LOAD CONTROL)

Features:

- Low cost, miniature relay with big performance in small package
- Slim type- for high density DIP through-hole mounting

- Wide operating temperature range
- Plastic sealed type
- UL, CSA, VDE recognized



RoHS Compliant

For quantities of 2500 and up, call for quote.

MOUSER STOCK NO.	Fujitsu Part No.	Fig.	Contact Form	Nominal Voltage (VDC)	Contact Rating	Price Each			
						1	100	500	1000
817-VE-12H-K	VE-12H-K	I	SPDT	12	5A				
817-VE-24HS-K	VE-24HS-K	I	SPDT	24	5A				
817-VE-5HSE-K	VE-5HSE-K	I	SPDT	5	5A				
817-VE-6HSE-K	VE-6HSE-K-UL	I	SPDT	6	5A				
817-VE-24H5-K	VE-24H5-K	I	SPDT	24	5A				