

ALCOSWITCH Toggle Switches

RoHS Compliant This product is RoHS compliant.

Authorized Distributor

MTE SERIES (GREEN SERIES) 6A TOGGLE SWITCHES W/ SPLASHPROOF BATON

Specifications:

- Contact rating: 6 A @ 125 VAC, 3 A @ 250 VAC
- Terminal seal: Insert molded
- Contact material: Gold flash over silver
- Mechanical Life Expectancy: 2 Pos. - 150,000; 3 Pos. - 100,000; 4 Pos. - 60,000 hrs.
- Actuation force: .05-1.5 kg
- Actuator Travel: 24°
- High torque bushing shoulder standard
- Contact timing: Break before make

() Momentary For quantities of 200 and up, call for quote.

MOUSER STOCK NO.	Alcoswitch Part No.	Fig.	Type	Circuit	Terminal	Price Each			
						1	25	50	100
506-MTE106E	MTE106E	A	SPDT	On-Off-On	Wire lug				
506-MTE106F	MTE106F	A	SPDT	On-None-(On)	Wire lug				
506-MTE206N	MTE206N	B	DPDT	On-None-On	Wire lug				
506-MTE206R	MTE206R	B	DPDT	On-None-(On)	Wire lug				
506-MTE306D	MTE306D	C	3PDT	On-None-On	Wire lug				
506-MTE406N	MTE406N	D	4PDT	On-None-On	Wire lug				

MTF SERIES (GREEN SERIES) 6A TOGGLE SWITCHES W/ FLAT ACTUATOR

Specifications:

- Contact rating: 6 A @ 125 VAC, 3 A @ 250 VAC
- Terminal seal: Insert molded
- Contact material: Gold flash over silver
- Mechanical Life Expectancy: 2 Pos. - 150,000; 3 Pos. - 100,000; 4 Pos. - 60,000 hrs.
- Actuation force: .05-1.5 kg
- Actuator Travel: 24°
- High torque bushing shoulder standard
- Contact timing: Break before make

() Momentary For quantities of 200 and up, call for quote.

MOUSER STOCK NO.	Alcoswitch Part No.	Fig.	Type	Circuit	Terminal	Price Each			
						1	25	50	100
506-MTF106D	MTF106D	E	SPDT	On-None-On	Wire lug				
506-MTF106E	MTF106E	E	SPDT	On-Off-On	Wire lug				
506-MTF106G	MTF106G	E	SPDT	(On)-Off-(On)	Wire lug				
506-MTF206S	MTF206S	F	DPDT	(On)-Off-(On)	Wire lug				
506-MTF306D	MTF306D	G	3PDT	On-None-On	Wire lug				
506-MTF406N	MTF406N	H	4PDT	On-None-On	Wire lug				

MTG SERIES (GREEN SERIES) 6A TOGGLE SWITCHES W/ FLAT ACTUATOR

Specifications:

- Contact rating: 6 A @ 125 VAC, 3 A @ 250 VAC
- Terminal seal: Insert molded
- Contact material: Gold flash over silver
- Mechanical Life Expectancy: 2 Pos. - 150,000; 3 Pos. - 100,000; 4 Pos. - 60,000 hrs.
- Actuation force: .05-1.5 kg
- Actuator Travel: 24°
- High torque bushing shoulder standard
- Contact timing: Break before make

PA types have case .100" (2.5mm) longer than other types () Momentary For quantities of 200 and up, call for quote.

MOUSER STOCK NO.	Alcoswitch Part No.	Fig.	Type	Circuit	Terminal	Price Each				
						1	25	50	100	
506-MTG106E	MTG106E	I	SPDT	On-Off-On	Wire lug					
506-MTG106F	MTG106F	I	SPDT	On-None-(On)	Wire lug					
506-MTG106G	MTG106G	I	SPDT	(On)-Off-(On)	Wire lug					
506-MTG206N	MTG206N	J	DPDT	On-None-On	Wire lug					
*506-MTG206P	MTG206P	J	DPDT	On-Off-On	Wire lug					
506-MTG306D	MTG306D	K	3PDT	On-None-On	Wire lug					
506-MTG406P	MTG406P	L	4PDT	On-Off-On	Wire lug					
Accessories for MTG Series		Description								
506-BT1532004	BT1532004	M	Black 15/32-32 toggle switch boot seal							

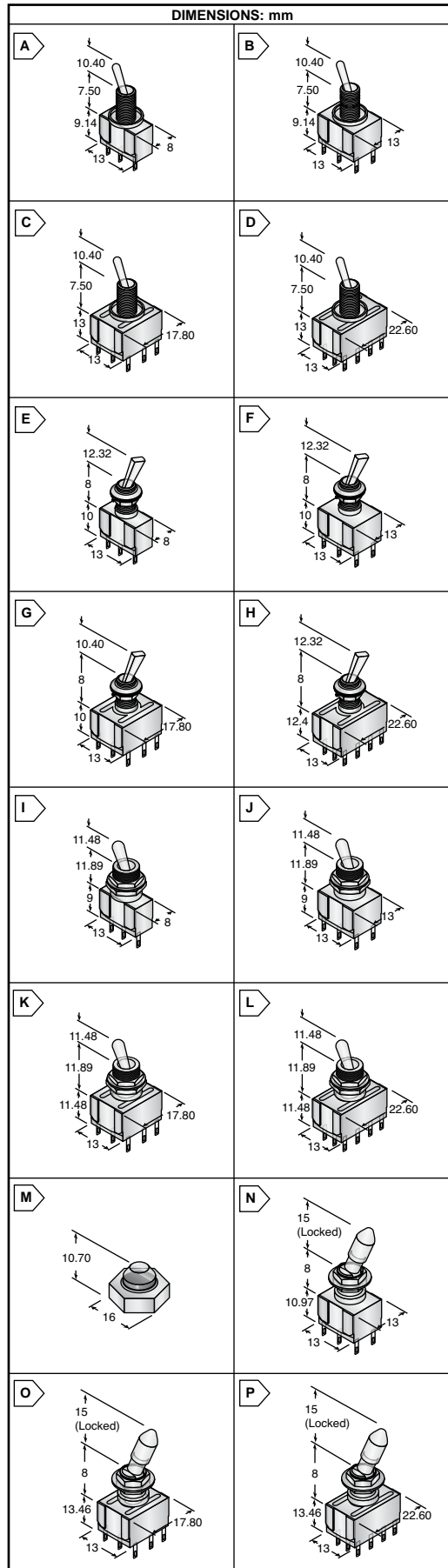
MTL SERIES (GREEN SERIES) 6A MINIATURE LOCKING TOGGLE SWITCHES

Specifications:

- Contact rating: 6 A @ 125 VAC, 3 A @ 250 VAC
- Terminal seal: Insert molded
- Contact material: Gold flash over silver
- Mechanical Life Expectancy: 2 Pos. - 150,000; 3 Pos. - 100,000; 4 Pos. - 60,000 hrs.
- Actuation force: .05-1.5 kg
- Actuator Travel: 24°
- High torque bushing shoulder standard
- Contact timing: Break before make

() Momentary For quantities of 200 and up, call for quote.

MOUSER STOCK NO.	Alcoswitch Part No.	Fig.	Type	Circuit	Terminal	Price Each			
						1	25	50	100
506-MTL206P	MTL206P	N	DPDT	On-Off-On	Wire lug				
506-MTL306D	MTL306D	O	3PDT	On-None-On	Wire lug				
506-MTL406N	MTL406N	P	4PDT	On-None-On	Wire lug				



Alcoswitch Toggle Switches