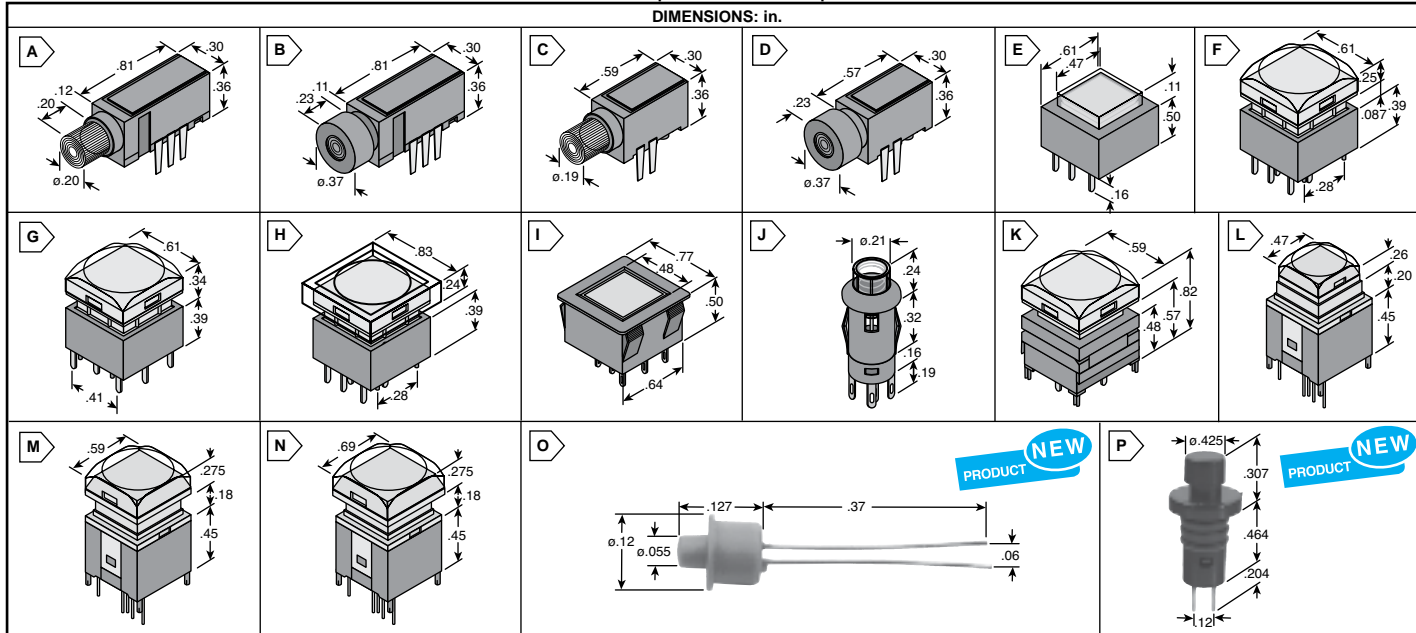


# WELL BUYING Pushbutton Switches



RoHS Compliant This product is RoHS compliant.

DIMENSIONS: in.



## WELL BUYING LED PUSHBUTTON SWITCHES

### LS and MLS Series

- Specifications:**
- Operating Force: LS Series-200±100gf, MLS Series-300±100gf
  - Rating: 0.2A/36VDC

- Applications:**
- Digital and Medical equipment interface
  - Computer products



RoHS Compliant

For quantities of 500 and up, call for quote.

MOUSER STOCK NO.	Well Buying Part No.	Fig.	Type	Circuit	LED Color	Price Each		
						1	50	100
107-LS1B-EV	LS-A1AB	A	SPST	Off-(On)	Blue			
107-LS1G-EV	LS-A1AG	A	SPST	Off-(On)	Green			
107-LS1R-EV	LS-A1AR	A	SPST	Off-(On)	Red			
107-LS1Y-EV	LS-A1AY	A	SPST	Off-(On)	Yellow			
107-LS1GR-EV	LS-A1AGR	A	SPST	Off-(On)	Green/Red			
107-LS1BR-EV	LS-A1ABR	A	SPST	Off-(On)	Blue/Red			
107-LS2BK-EV	LS-B1ABK	B	SPST	Off-(On)	Blue			
107-LS2RK-EV	LS-B1AGRK	B	SPST	Off-(On)	Red			
107-MS12-EV	MLS-AB	C	SPST	Off-(On)	Blue			
107-MS17-EV	MLS-AGR	C	SPST	Off-(On)	Green/Red			
107-MS28-EV	MLS-BRK	D	SPST	Off-(On)	Red			
107-MS27-EV	MLS-BGYK	D	SPST	Off-(On)	Green/Yel			

### L Series

- Specifications:**
- Operating Force: SPDT Series-200±100gf, DPDT Series-300±150gf
  - Rating: 0.5A/25VDC

- Applications:**
- Telecom network equipment
  - Automotive/Consumer electronics
  - Computer, server, modem, data storage



RoHS Compliant

For quantities of 500 and up, call for quote.

MOUSER STOCK NO.	Well Buying Part No.	Fig.	Type	Circuit	LED Color	Price Each		
						1	50	100
107-LL73R-EV	L-ML1PNR3R3Q	E	SPDT	On-(On)	Red/Red			
107-LL73Y-EV	L-ML1PNY3Y3Q	E	SPDT	On-(On)	Yellow/Yellow			
107-LL73G-EV	L-ML1PNR3G3Q	E	SPDT	On-(On)	Red/Green			
107-LL73X-EV	L-ML1PNB3XXQ	E	SPDT	On-(On)	Blue			
107-LL33R-EV	L-ML1PLR3R3Q	E	SPDT	On-On	Red/Red			
107-LL33G-EV	L-ML1PLG3G3Q	E	SPDT	On-On	Green/Green			
107-LL33RG-EV	L-ML1PLR3R3Q	E	SPDT	On-On	Red/Green			
107-LL33B-EV	L-ML1PLB3XXQ	E	SPDT	On-On	Blue			
107-LH7R31-EV	L-MH1PNR3R3Q	F	SPDT	On-(On)	Red/Red			
107-LH7G37-EV	L-MH1PNG3G3Q	F	SPDT	On-(On)	Green/Green			
107-LH7RG31-EV	L-MH1PNR3G3Q	F	SPDT	On-(On)	Red/Green			
107-LH7B36-EV	L-MH1PNB3XXQ	F	SPDT	On-(On)	Blue			
107-LH7W16-EV	L-MH1PNW1XXQ	F	SPDT	On-(On)	White			
107-LH1R39-EV	L-MH1PLR3R3Q	F	SPDT	On-On	Red/Red			
107-LH1W16-EV	L-MH1PLW1XXQ	F	SPDT	On-On	White			
107-LH2NR3-EV	L-MH2PNR3R3Q	G	DPDT	On-(On)	Red/Red			
107-LH2R3R3-EV	L-MH2PLR3R3Q	G	DPDT	On-On	Red/Red			
107-LH2G3G-EV	L-MH2PLG3G3Q	G	DPDT	On-On	Green/Green			
107-LH2W1X-EV	L-MH2PLW1XXQ	G	DPDT	On-On	White			
107-LBG3Y3-EV	L-MHB1PLG3Y3Q	H	SPDT	On-On	Green/Yellow			
107-LBR3R3-EV	L-MHB1PLR3R3Q	H	SPDT	On-On	Red/Red			
107-LBB3XX-EV	L-MHB1PLB3XXQ	H	SPDT	On-On	Blue			
107-LBR3NR3-EV	L-MHB1PNR3R3Q	H	SPDT	On-(On)	Red/Red			
107-LBG3R3-EV	L-MHB1PNG3R3Q	H	SPDT	On-(On)	Green/Red			
107-LW33R-EV	L-E1WNG3R3Q	I	SPDT	On-(On)	Green/Red			

### PS001 Series

- Specifications:**
- Rating: 0.1A/30VDC
  - Type: SPST
  - Circuit: Off-(On)

- Applications:**
- Automotive industry
  - Communication equipment
  - Computer products
  - Office appliances



RoHS Compliant

For quantities of 500 and up, call for quote.

MOUSER STOCK NO.	Well Buying Part No.	Fig.	LED Color	Price Each		
				1	50	100
107-PS11BUG-EV	PS001-N11NAWUBUG	J	Ultra Blue/ Ultra Green			
107-PS11BUR-EV	PS001-N11NAWUBUR	J	Ultra Blue/ Ultra Red			
107-PS11YXX-EV	PS001-N11NAWUYXX	J	Ultra Yellow			
107-PS11GX-EV	PS001-N11NAWUGXX	J	Ultra Green			

### PS006 Series

- Specifications:**
- Rating: 12mA/12VDC
  - Type: SPST
  - Circuit: Off-(On)

- Applications:**
- Communication equipment
  - Instrumentation
  - Audio/video products



RoHS Compliant

For quantities of 500 and up, call for quote.

MOUSER STOCK NO.	Well Buying Part No.	Fig.	LED Color	Price Each		
				1	50	100
107-PS65G3R-EV	PS006-N11AAG3R3	K	Green/Red			
107-PS65B3X-EV	PS006-N11AAB3XX	K	Blue			

### PS011 Series

- Specifications:**
- Rating: 0.1A/12VDC
  - Type: SPST
  - Circuit: Off-(On)

- Applications:**
- Audio/video switcher
  - Broadcast system
  - Instrumentation
  - Telecommunication



RoHS Compliant

For quantities of 500 and up, call for quote.

MOUSER STOCK NO.	Well Buying Part No.	Fig.	LED Color	Price Each		
				1	50	100
107-PS11TAP-EV	PS011-N11TAAPGUR	L	Green/ Ultra Red			
107-PS11TBP-EV	PS011-N11TBBPGUR	M	Green/ Ultra Red			
107-PS11TCP-EV	PS011-N11TBCPGUR	N	Green/ Ultra Red			
107-PS11TCU-EV	PS011-N11TBCUWUY	N	Ultra White/ Ultra Yellow			

## WELL BUYING PUSHBUTTON SWITCHES

### MP Series

- Specifications:**
- Rating: 100mA/3VDC
  - Operating force: 75gf-150gf

- Applications:**
- Hearing Aid
  - Hand-held devices



RoHS Compliant

For quantities of 500 and up, call for quote.

MOUSER STOCK NO.	Well Buying Part No.	Fig.	Circuit	Price Each		
				1	50	100
107-MP-A11	MP-A11	O	Off-(On)			

### N Series

- Specifications:**
- Rating: 0.3A/30VDC
  - Operating force: 250±100gf

- Applications:**
- Various Switching Purposes in all kinds of Electronic Equipment



RoHS Compliant

For quantities of 500 and up, call for quote.

MOUSER STOCK NO.	Well Buying Part No.	Fig.	Circuit	Price Each		
				1	50	100
107-N-RBB	N-RBB	P	Off-(On)			