

# SHIN CHIN Pushbutton Switches



This product is RoHS compliant.



**Specifications:**

- Contact resistance: 50mΩ max. • Insulation Resistance: 500VDC 100MΩ min.

**Rating: 6A/125VAC, 3A/250VAC**

- Terminal type: Solder

For quantities of 2000 and up, call for quote.

MOUSER STOCK NO.	Shin Chin Part No.	Fig.	Type	Circuit	Cap Color	Price Each			
						1	50	100	500
112-PA106A1-B/BL	PA106A1-UB	A	SPDT	On-(On)	Black				
112-R13-507A-B/B	R13-507A-05-BB	B	SPST	Off-(On)	Black				
112-R13-507A-R/B	R13-507A-05-BR	B	SPST	Off-(On)	Red				
112-R13-551A1-B	R13-551A1-05-B	C	SPST	Off-(On)	Black				
112-R13-551A1-R	R13-551A1-05-R	C	SPST	Off-(On)	Red				
112-R13-551A1-G	R13-551A1-05-G	C	SPST	Off-(On)	Green				

**Rating: 3A/125VAC, 1.5A/250VAC**

- Terminal type: Solder

For quantities of 2000 and up, call for quote.

MOUSER STOCK NO.	Shin Chin Part No.	Fig.	Type	Circuit	Cap Color	Price Each			
						1	50	100	500
112-R13-23A-R	R13-23A-05-BR	D	SPST	Off-(On)	Red				
112-R13-23B-B	R13-23B-05-BB	D	SPST	Off-On	Black				
112-R13-23B-R	R13-23B-05-BR	D	SPST	Off-On	Red				
112-R13-24A-B	R13-24A-05-BB	E	SPST	Off-(On)	Black				
112-R13-24A-R	R13-24A-05-BR	E	SPST	Off-(On)	Red				
112-R13-24A-W	R13-24A-05-BW	E	SPST	Off-(On)	White				
112-R13-40A-B	R13-40A-05-BB	F	SPST	Off-(On)	Black				
112-R13-40A-R	R13-40A-05-BR	F	SPST	Off-(On)	Red				
112-R13-40B-B	R13-40B-05-BB	F	SPST	Off-On	Black				
112-R13-40B-R	R13-40B-05-BR	F	SPST	Off-On	Red				
112-R13-502A-B/B	R13-502A-05-BB	G	SPST	Off-(On)	Black				
112-R13-502A-G/B	R13-502A-05-BG	G	SPST	Off-(On)	Green				
112-R13-502A-R/B	R13-502A-05-BR	G	SPST	Off-(On)	Red				
112-R13-502MA-B/B	R13-502MA-05-BB	G	SPST	Off-(On)	Black				
112-R13-502MA-G/B	R13-502MA-05-BG	G	SPST	Off-(On)	Green				
112-R13-502MA-R/B	R13-502MA-05-BR	G	SPST	Off-(On)	Red				
112-R13-502MA-Y/B	R13-502MA-05-BY	G	SPST	Off-(On)	Yellow				
112-R13-502MC-B/B	R13-502MC-05-BB	H	SPST	Off-(On)	Black				
112-R13-508A-B	R13-508A-05-BB	I	SPST	Off-(On)	Black				
112-R13-508AL-R	R13-508AL-05-BRR-L3	I	SPST	Off-(On)	Illum. Red				
112-R13-510A-B	R13-510A-05-BB	J	SPST	Off-(On)	Black				
112-R13-510A-R	R13-510A-05-BR	J	SPST	Off-(On)	Red				
112-R13-511A-R	R13-511A-05-BR	K	SPST	Off-(On)	Red				
112-R13-512A1-BB	R13-512A1-05-BB	L	SPST	Off-(On)	Black				
112-R13-512A1-BR	R13-512A1-05-BR	L	SPST	Off-(On)	Red				
112-R13-512A2-BB	R13-512A2-05-BB	M	SPST	Off-(On)	Black				
112-R13-512A2-BR	R13-512A2-05-BR	M	SPST	Off-(On)	Red				
112-R13-512B1-BB	R13-512B1-05-BB	L	SPST	Off-On	Black				
112-R13-512B1-BR	R13-512B1-05-BR	L	SPST	Off-On	Red				
112-R13-512B2-BB	R13-512B2-05-BB	M	SPST	Off-On	Black				
112-R13-512B2-BR	R13-512B2-05-BR	M	SPST	Off-On	Red				
112-R13-523BL-G-12V	R13-523BL-05-BGG-L1	N	SPST	Off-On	Illum. Green				
112-R13-548A-BR	R13-548A-05-BR	O	SPST	(On)-Off	Red				
112-R13-548AL-BRR	R13-548AL-05-BRR	O	SPST	(On)-Off	Illum. Red				
112-R13-548B-BR	R13-548B-05-BR	O	SPST	On-Off	Red				
112-R13-548BL-BRR	R13-548BL-05-BRR	O	SPST	On-Off	Illum. Red				

**Rating: 1A/125VAC, 1.5A/250VAC**

- Terminal type: Solder

For quantities of 2000 and up, call for quote.

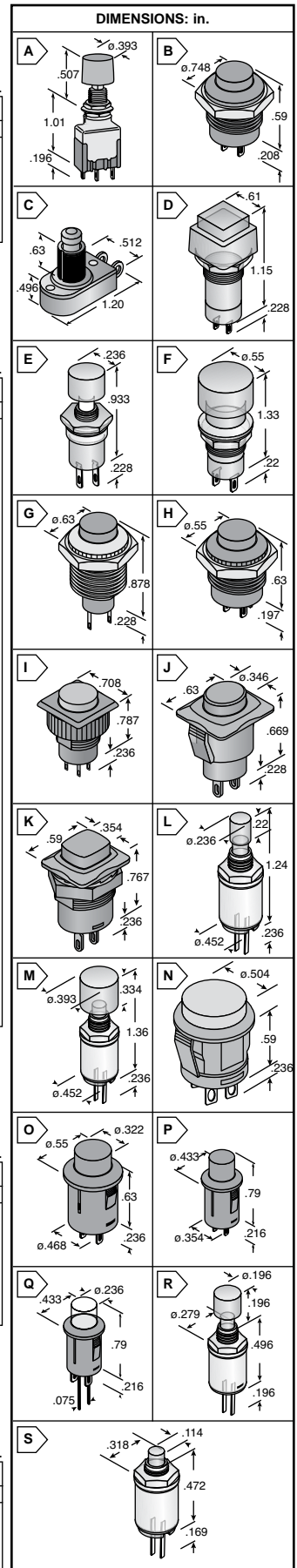
MOUSER STOCK NO.	Shin Chin Part No.	Fig.	Type	Circuit	Cap Color	Price Each			
						1	50	100	500
112-R13-529A-BR	R13-529A-05-BR	P	SPST	Off-(On)	Red				
112-R13-529A-BG	R13-529A-05-BG	P	SPST	Off-(On)	Green				
112-R13-529AL-BRR	R13-529AL-05-BRR	Q	SPST	Off-(On)	Illum. Red				
112-R13-529AL-BGG	R13-529AL-05-BGG	Q	SPST	Off-(On)	Illum. Green				
112-R13-529B-BR	R13-529B-05-BR	P	SPST	Off-On	Red				
112-R13-529BL-BRR	R13-529BL-05-BRR	Q	SPST	Off-On	Illum. Red				
112-R13-529BL-BGG	R13-529BL-05-BGG	Q	SPST	Off-On	Illum. Green				

**Rating: 0.5A/125VAC**

- Terminal type: PC

For quantities of 2000 and up, call for quote.

MOUSER STOCK NO.	Shin Chin Part No.	Fig.	Type	Circuit	Cap Color	Price Each			
						1	50	100	500
112-R13-521B-BB	R13-521B-09-BB	R	SPST	Off-(On)	Black				
112-R13-521B-BR	R13-521B-09-BR	R	SPST	Off-(On)	Red				
112-R13-81-B	R13-81A-09-B	S	SPST	Off-(On)	Black				
112-R13-81-R	R13-81A-09-R	S	SPST	Off-(On)	Red				



Shin Chin Pushbutton Switches