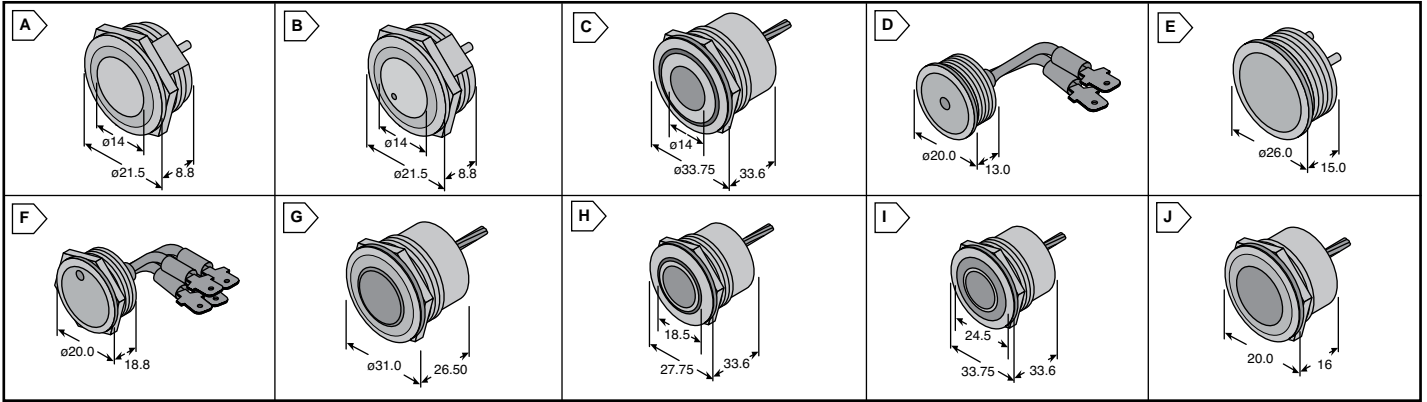


# SCHURTER Vandal-Proof Switches



## SCHURTER VANDAL-PROOF MECHANICAL SWITCHES

DIMENSIONS: mm

**Specifications:**

- Contact material: Silver
- Max switching voltage: 48VDC
- Max switching current: 125mA
- Lifetime: 1,000,000 cycles
- Switching function: N.O.
- Actuation force: 3.7 N
- LED forward voltage: Red - 1.6V; green - 2.0V; yellow - 2.0V
- LED forward current: All colors = 20 mA
- All switches supplied with nut and o-ring seal

For quantities of 100 and up, call for quote.

MOUSER STOCK NO.	Schurter Part No.	Fig.	Illumination	Mounting Diameter	Housing Material	Actuator Material	Terminals	Price Each			
								1	10	25	50
693-1241.2800	1241.2800	A	N/A	19 mm	Zinc diecast	Zinc diecast	Pins				
693-1241.2855	1241.2855	B	Spot Red	19 mm	Zinc diecast	Stainless steel	Pins w/ solder aid				
693-1241.2856	1241.2856	B	Spot Green	19 mm	Zinc diecast	Stainless steel	Pins w/ solder aid				
693-1241.2857	1241.2857	B	Spot Yellow	19 mm	Zinc diecast	Stainless steel	Pins w/ solder aid				
693-1241.2858	1241.2858	B	Spot Red/Green	19 mm	Zinc diecast	Stainless steel	Pins w/ solder aid				
693-1241.2859	1241.2859	B	Spot Blue	19 mm	Zinc diecast	Stainless steel	Pins w/ solder aid				
693-1241.6400	1241.6400	C	Ring Red	30 mm	Aluminum	Zinc diecast	Wire				
693-1241.6401	1241.6401	C	Ring Green	30 mm	Aluminum	Zinc diecast	Wire				
693-1241.6402	1241.6402	C	Ring Yellow	30 mm	Aluminum	Zinc diecast	Wire				
693-1241.6403	1241.6403	C	Ring Red/Green	30 mm	Aluminum	Zinc diecast	Wire				

## SCHURTER VANDAL-PROOF INDICATORS

**Specifications:**

- Supplied with nut and o-ring seal
- Indicator only

For quantities of 100 and up, call for quote.

MOUSER STOCK NO.	Schurter Part No.	Fig.	Illumination	Mounting Diameter	Housing Color	Housing Material	Terminals	Price Each			
								1	10	25	50
693-1241.3034.M	1241.3034.M	D	Spot Green	16 mm	Aluminum natural	Anodized Aluminum	Faston				
693-1241.3035	1241.3035	D	Spot Yellow	16 mm	Aluminum natural	Anodized Aluminum	Faston				
693-1241.3036	1241.3036	D	Spot Red	16 mm	Red	Anodized Aluminum	Faston				
693-1241.3037	1241.3037	D	Spot Green	16 mm	Green	Anodized Aluminum	Faston				

## SCHURTER VANDAL-PROOF PIEZO SWITCHES

**Specifications:**

- Max switching voltage: 42 VAC
- Max switching current: 100 mA
- Capacity: 30 pF
- Switching function: N.O.
- Lifetime: 20,000,000 cycles
- Min. actuating force: 1.5N
- All switches supplied with nut and o-ring seal

For quantities of 100 and up, call for quote.

MOUSER STOCK NO.	Schurter Part No.	Fig.	Illumination	Mounting Diameter	Housing Color	Housing Material	Terminals	Price Each			
								1	10	25	50
693-1241.3008	1241.3008	E	N/A	22 mm	Aluminum natural	Anodized Aluminum	Pins				
693-1241.3005	1241.3005	E	N/A	22 mm	Red	Anodized Aluminum	Pins				
693-1241.3006	1241.3006	E	N/A	22 mm	Green	Anodized Aluminum	Pins				
693-1241.3020.M	1241.3020.M	F	Spot Red	22 mm	Aluminum natural	Anodized Aluminum	Faston				
693-1241.3244.M	1241.3244.M	F	Spot Blue	22 mm	Aluminum natural	Anodized Aluminum	Faston				
693-1241.2625.8	1241.2625.8	G	N/A	27 mm	Aluminum natural	Anodized Aluminum	100 mm wire				
693-1241.2625.3	1241.2625.3	G	N/A	27 mm	Red	Anodized Aluminum	100 mm wire				
693-1241.3010	1241.3010	H	Ring Red/Green	24 mm	Aluminum natural	Anodized Aluminum	200 mm wire				
693-1241.3012	1241.3012	I	Ring Red/Green	30 mm	Aluminum natural	Anodized Aluminum	200 mm wire				

## SCHURTER VANDAL-PROOF CAPACITIVE SWITCHES

**Specifications:**

- Max switching voltage: 7-24 VDC
- Max switching current: 175 mA
- All switches supplied with nut and o-ring seal
- Lifetime: 1,000,000 cycles
- Input current (irrespective of LEDs): 5V - 2mA not in action/3mA in action; 12V - 2mA not in action/6mA in action; 24V - 4mA not in action/8mA in action

**Features:**

- Pressure-free operation of input systems due to no actuation force
- IP67 degree of protection

For quantities of 100 and up, call for quote.

MOUSER STOCK NO.	Schurter Part No.	Fig.	Illumination	Mounting Diameter	Switching Type	Housing Material	Terminals	Price Each			
								1	10	25	50
693-1243.1218.1.1	1243.1218.1.1	J	Red	16 mm	Latching	Aluminum	210 mm wire				
693-1243.1318.1.1	1243.1318.1.1	J	Red	16 mm	Momentary	Aluminum	210 mm wire				
693-1243.1118.1.1	1243.1118.1.1	J	Red	16 mm	Impulse	Aluminum	210 mm wire				
693-1243.1218.2.1	1243.1218.2.1	J	Green	16 mm	Latching	Aluminum	210 mm wire				
693-1243.1118.2.1	1243.1118.2.1	J	Green	16 mm	Impulse	Aluminum	210 mm wire				