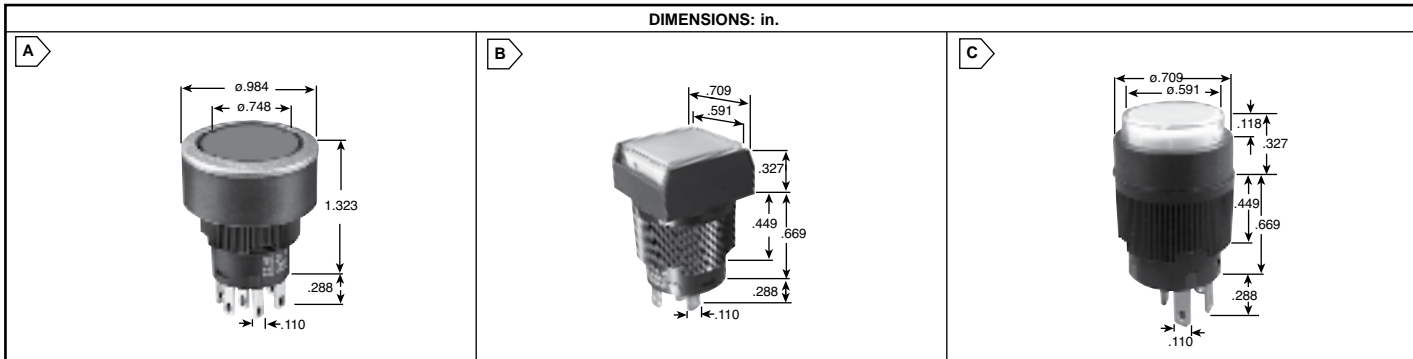


# NKK Illuminated Pushbutton Switches



DIMENSIONS: in.



## NKK YB2 SERIES: 22MM ROUND FLUSH MOUNT PANEL SEAL PUSHBUTTONS

- Flush mount IP65
- IP65 rating
- Tamper resistant
- Super low profile
- Silver rated 3A @ 125VAC



### Single Element Bright LED Specifications

Color	Red	Amber
Forward peak current	40mA	40mA
Continuous forward current	26mA	26mA
Forward voltage	1.9V	2.0V
Reverse peak voltage	4V	4V
Current reduction rate above 25°C	0.50mA/°C	
Ambient temperature range	-25 - +50°C	

For quantities of 100 and up, call for quote.

MOUSER STOCK NO.	NKK Part Number	Fig.	Circuit ( ) = Momentary	LED Color	Lens/Diffuser Colors	Price Each		
						1	25	50
633-YB215CWCKW015CJB	YB215CWCKW01/CUL-5C-JB	A	SPDT On - (On)	Red	Clear/White			
633-YB215CWCKW015CCB	YB215CWCKW01/CUL-5C-CB	A	SPDT On - (On)	Red	Red/White			
633-YB215CWCKW015DJB	YB215CWCKW01/CUL-5D-JB	A	SPDT On - (On)	Amber	Clear/White			
633-YB215CWCKW015DEB	YB215CWCKW01/CUL-5D-EB	A	SPDT On - (On)	Amber	Yellow/White			
633-YB216CWCKW015CJB	YB216CWCKW01/CUL-5C-JB	A	SPDT On - On	Red	Clear/White			
633-YB216CWCKW015CCB	YB216CWCKW01/CUL-5C-CB	A	SPDT On - On	Red	Red/White			
633-YB216CWCKW015DJB	YB216CWCKW01/CUL-5D-JB	A	SPDT On - On	Amber	Clear/White			
633-YB216CWCKW015DEB	YB216CWCKW01/CUL-5D-EB	A	SPDT On - On	Amber	Yellow/White			
633-YB225CWCKW015CJB	YB225CWCKW01/CUL-5C-JB	A	DPDT On - (On)	Red	Clear/White			
633-YB225CWCKW015CCB	YB225CWCKW01/CUL-5C-CB	A	DPDT On - (On)	Red	Red/White			
633-YB225CWCKW015DJB	YB225CWCKW01/CUL-5D-JB	A	DPDT On - (On)	Amber	Clear/White			
633-YB225CWCKW015DEB	YB225CWCKW01/CUL-5D-EB	A	DPDT On - (On)	Amber	Yellow/White			
633-YB226CWCKW015CJB	YB226CWCKW01/CUL-5C-JB	A	DPDT On - On	Red	Clear/White			
633-YB226CWCKW015CCB	YB226CWCKW01/CUL-5C-CB	A	DPDT On - On	Red	Red/White			
633-YB226CWCKW015DJB	YB226CWCKW01/CUL-5D-JB	A	DPDT On - On	Amber	Clear/White			
633-YB226CWCKW015DEB	YB226CWCKW01/CUL-5D-EB	A	DPDT On - On	Amber	Yellow/White			

## NKK YB SERIES: SHORT BODY ILLUMINATED PUSHBUTTONS WITH PANEL SEAL

- Contact material and ratings: Silver, 3A @ 125VAC
- Bushing mount
- Solder lug
- IP-Degree IP65 (IEC529)
- Bright & super bright LEDs



### Single Element Bright & Super Bright LED Specifications

Color	Bright				Super Bright		
	Red	Amber	Green	White	Green	Blue	
Forward peak current	40mA	40mA	40mA	30mA	30mA	30mA	
Continuous forward current	26mA	26mA	26mA	20mA	20mA	20mA	
Forward voltage	1.9V	2.0V	2.0V	3.6V	3.5V	3.6V	
Reverse peak voltage	4V	4V	4V	5V	5V	5V	
Current reduction rate above 25°C	0.50mA/°C		0.50mA/°C		0.50mA/°C		
Ambient temperature range	-25 - +50°C						

For quantities of 100 and up, call for quote.

MOUSER STOCK NO.	NKK Part Number	Fig.	Circuit ( ) = Momentary	LED Color	Lens/Diffuser Colors	Price Each		
						1	25	50
<b>Square Switches</b>								
633-WSKW015CJC-RO	YB15WSKW01-5C-JC-RO	B	SPDT On-(On)	Bright Red	Clear /Red			
633-WSKW015DJD-RO	YB15WSKW01-5D-JD-RO	B	SPDT On-(On)	Bright Amber	Clear /Amber			
633-WSKW015FJF-RO	YB15WSKW01-5F-JF-RO	B	SPDT On-(On)	Bright Green	Clear /Green			
633-16WSKW015DJD-RO	YB16WSKW01-5D-JD-RO	B	SPDT On-On	Bright Amber	Clear /Amber			
633-16WSKW015FJF-RO	YB16WSKW01-5F-JF-RO	B	SPDT On-On	Bright Green	Clear /Green			
633-25WSKW015CJC-RO	YB25WSKW01-5C-JC-RO	B	DPDT On-(On)	Bright Red	Clear /Red			
633-25WSKW015DJD-RO	YB25WSKW01-5D-JD-RO	B	DPDT On-(On)	Bright Amber	Clear /Amber			
633-25WSKW015FJF-RO	YB25WSKW01-5F-JF-RO	B	DPDT On-(On)	Bright Green	Clear /Green			
633-26WSKW015DJD-RO	YB26WSKW01-5D-JD-RO	B	DPDT On-On	Bright Amber	Clear /Amber			
633-26WSKW015FJF-RO	YB26WSKW01-5F-JF-RO	B	DPDT On-On	Bright Green	Clear /Green			
633-WSKW016BJB-RO	YB15WSKW01-6B-JB-RO	B	SPDT On-(On)	Super Bright White	Clear /White			
633-WSKW016FJB-RO	YB15WSKW01-6F-JB-RO	B	SPDT On-(On)	Super Bright Green	Clear /White			
633-WSKW016GJB-RO	YB15WSKW01-6G-JB-RO	B	SPDT On-(On)	Super Bright Blue	Clear /White			
633-16WSKW016BJB-RO	YB16WSKW01-6B-JB-RO	B	SPDT On-On	Super Bright White	Clear /White			
633-16WSKW016GJB-RO	YB16WSKW01-6G-JB-RO	B	SPDT On-On	Super Bright Blue	Clear /White			
633-26WSKW016FJB-RO	YB26WSKW01-6F-JB-RO	B	DPDT On-On	Super Bright Green	Clear /White			
633-YB26016GJB-RO	YB26WSKW01-6G-JB-RO	B	DPDT On-On	Super Bright Blue	Clear /White			
<b>Round Switches</b>								
633-15WCKW015CJC-RO	YB15WCKW01-5C-JC-RO	C	SPDT On-(On)	Bright Red	Clear /Red			
633-15WCKW015DJD-RO	YB15WCKW01-5D-JD-RO	C	SPDT On-(On)	Bright Amber	Clear /Amber			
633-15WCKW015FJF-RO	YB15WCKW01-5F-JF-RO	C	SPDT On-(On)	Bright Green	Clear /Green			
633-16WCKW015CJC-RO	YB16WCKW01-5C-JC-RO	C	SPDT On-On	Bright Red	Clear /Red			
633-16WCKW015DJD-RO	YB16WCKW01-5D-JD-RO	C	SPDT On-On	Bright Amber	Clear /Amber			
633-16WCKW015FJF-RO	YB16WCKW01-5F-JF-RO	C	SPDT On-On	Bright Green	Clear /Green			
633-25WCKW01-5D-JD	YB25WCKW01-5D-JD-RO	C	DPDT On-(On)	Bright Amber	Clear /Amber			
633-25WCKW015FJF-RO	YB25WCKW01-5F-JF-RO	C	DPDT On-(On)	Bright Green	Clear /Green			
633-26WCKW015CJC-RO	YB26WCKW01-5C-JC-RO	C	DPDT On-On	Bright Red	Clear /Red			
633-26WCKW015FJF-RO	YB26WCKW01-5F-JF-RO	C	DPDT On-On	Bright Green	Clear /Green			
633-15WCKW016BJB-RO	YB15WCKW01-6B-JB-RO	C	SPDT On-(On)	Super Bright White	Clear /White			
633-15WCKW016FJB-RO	YB15WCKW01-6F-JB-RO	C	SPDT On-(On)	Super Bright Green	Clear /White			
633-15WCKW016GJB-RO	YB15WCKW01-6G-JB-RO	C	SPDT On-(On)	Super Bright Blue	Clear /White			
633-16WCKW016FJB-RO	YB16WCKW01-6F-JB-RO	C	SPDT On-On	Super Bright Green	Clear /White			
633-16WCKW016GJB-RO	YB16WCKW01-6G-JB-RO	C	SPDT On-On	Super Bright Blue	Clear /White			
633-25WCKW016FJB-RO	YB25WCKW01-6F-JB-RO	C	DPDT On-(On)	Super Bright Green	Clear /White			
633-25WCKW016GJB-RO	YB25WCKW01-6G-JB-RO	C	DPDT On-(On)	Super Bright Blue	Clear /White			