

# ITW SWITCHES Pushbutton Switches



This page of product is compliant.

## ITW SERIES 76-59: VANDAL RESISTANT SEALED PUSHBUTTON SWITCHES

The Series 76-59 is extra tough, stainless steel sealed pushbutton. It is made to withstand rough use and the concave stainless button makes it ADA compatible.

**Specifications:**

- Bushing material: Stainless steel
- Operating force: 3.0 N ref
- Operating temp: -55°C to +125°C
- Contacts & terminals: Gold plated brass
- Switch function: Momentary

**Features:**

- SPST-NO-DB
- .110 quick connect terminals
- Extra ruggedized construction
- Sealed to IP67
- 3 year warranty

**Applications:**

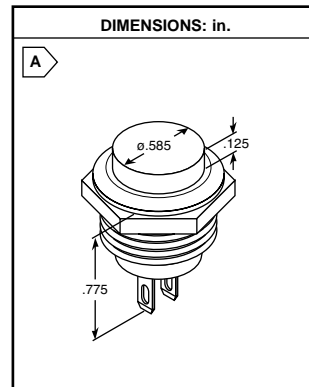
- Security systems
- Kiosks
- Gas pumps
- Outdoor and industrial machinery



RoHS Compliant

For quantities of 50 and up, call for quote.

MOUSER STOCK NO.	ITW Switch Part No.	Fig.	Description	Price Each		
				1	10	25
850-76-59200	76-59200	A	Raised concave stainless steel			
850-76-59300	76-59300	A	Raised concave brass with UV stabilized red powder coat finish			



## ITW SERIES 47: MINIATURE SEALED PUSHBUTTON SWITCHES

The Series 47 is an uniquely designed sealed miniature pushbutton switch. The silicone button and body can be panel mounted and terminated with a standard connector or mounted in a P.C. board. The switches come in two levels of sealing a panel sealed only version and a fully sealed version with epoxy sealed base.

**Specifications:**

- Button material: Silicone
- Operating temp: -40°F to +85°C
- Terminal finish: Gold over nickel

**Features:**

- SPST-NO
- Long life
- Small size
- Low cost
- Sealed to IP67
- 3 year warranty

**Applications:**

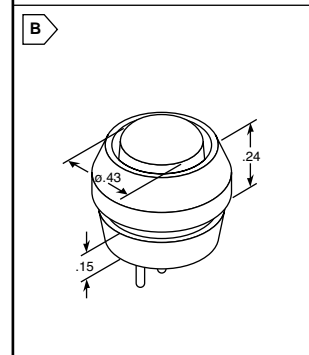
- Medical equipment
- Marine equipment
- Outdoor controls
- Appliances
- Recreational vehicles



RoHS Compliant

For quantities of 50 and up, call for quote.

MOUSER STOCK NO.	ITW Switch Part No.	Fig.	Switch Function	Button Color	Sealed Version	Price Each		
						1	10	25
850-47-1111	47-1111	B	Momentary	Black	Panel and Epoxy			
850-47-1121	47-1121	B	Momentary	Red	Panel and Epoxy			
850-47-1131	47-1131	B	Momentary	Green	Panel and Epoxy			
850-47-1141	47-1141	B	Momentary	White	Panel and Epoxy			
850-47-1151	47-1151	B	Momentary	Yellow	Panel and Epoxy			
850-47-1161	47-1161	B	Momentary	Blue	Panel and Epoxy			
850-47-1171	47-1171	B	Momentary	Orange	Panel and Epoxy			
850-47-2111	47-2111	B	Momentary	Black	Panel			
850-47-2121	47-2121	B	Momentary	Red	Panel			
850-47-2131	47-2131	B	Momentary	Green	Panel			
850-47-2161	47-2161	B	Momentary	Blue	Panel			
850-47-2171	47-2171	B	Momentary	Orange	Panel			



## ITW SERIES 48: FLEX-TECH MINIATURE SEALED PUSHBUTTON SWITCHES

This rugged multi-option sealed pushbutton series offers the utmost in choices for mounting style, colors, terminations, bezels, lighting and momentary or alternate-action switching.

**Specifications:**

- Circuit: SPST-NO-DB
- Operating force: 3N/306g
- Temperature index: -40°F to +185°F
- Panel thickness: .02-.12 / 1.5-3mm

**Features:**

- Gold contacts
- Long life
- Compact package size
- Sealed to IP67
- 3 year warranty

**Applications:**

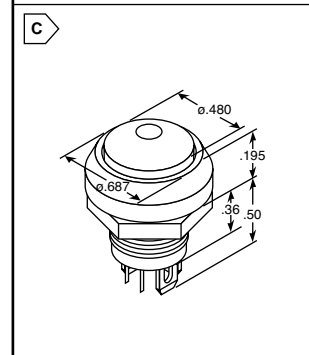
- Medical equipment
- Office equipment
- Outdoor controls
- Mass transportation
- Industrial machinery



RoHS Compliant

For quantities of 100 and up, call for quote.

MOUSER STOCK NO.	ITW Switch Part No.	Fig.	Switch Function	Switch Termination	Bezel Type	LED Color	Button Color	Price Each			
								1	10	25	50
850-48-1-RB-N-RD-B	48-1-RB-N-RD-B	C	Momentary	Solder Tabs	Round, Black	None	Red				
850-48-1-RB-N-BK-B	48-1-RB-N-BK-B	C	Momentary	Solder Tabs	Round, Black	None	Black				
850-48-1-SB-N-RD-B	48-1-SB-N-RD-B	D	Momentary	Solder Tabs	Square, Black	None	Red				
850-48-1-SB-N-BK-B	48-1-SB-N-BK-B	D	Momentary	Solder Tabs	Square, Black	None	Black				
850-48-1-RC-N-CR-B	48-1-RC-N-CR-B	C	Momentary	Solder Tabs	Round, Chrome	None	Chrome				
850-48-1-RB-R-BK-B	48-1-RB-R-BK-B	C	Momentary	Solder Tabs	Round, Black	Red	Black				
850-48-2-RB-N-RD-B	48-2-RB-N-RD-B	C	Maintained	Solder Tabs	Round, Black	None	Red				
850-48-2-RB-N-BK-B	48-2-RB-N-BK-B	C	Maintained	Solder Tabs	Round, Black	None	Black				
850-48-2-RC-N-CR-B	48-2-RC-N-CR-B	C	Maintained	Solder Tabs	Round, Chrome	None	Chrome				
850-48-2-RB-R-BK-B	48-2-RB-R-BK-B	C	Maintained	Solder Tabs	Round, Black	Red	Black				



## ITW SERIES 48: MINIATURE HALL-EFFECT SEALED PUSHBUTTON SWITCHES

This rugged sealed pushbutton switch uses a Hall-Effect sensor to achieve extremely long life. This switch is suited for harsh environments where long life and reliability are needed.

**Specifications:**

- Circuit: SPST-NO-DB
- Operating force: 3N/306g
- Temperature index: -40°F to +185°F
- Panel thickness: .02-.12 / 1.5-3mm

**Features:**

- Hall-effect technology
- 1,000,000 cycles momentary
- 100,000 cycles maintained
- Sealed to IP67
- 3 year warranty

**Applications:**

- Communications
- Data entry
- Outdoor controls
- Mass transportation
- Instrumentation



RoHS Compliant

For quantities of 100 and up, call for quote.

MOUSER STOCK NO.	ITW Switch Part No.	Fig.	Switch Function	Switch Termination	Bezel Type	LED Color	Button Color	Price Each			
								1	10	25	50
850-48-7-RB-N-BK-B	48-7-RB-N-BK-B	E	Momentary	PC	Round, Black	None	Black				
850-48-7-RB-N-RD-B	48-7-RB-N-RD-B	E	Momentary	PC	Round, Black	None	Red				
850-48-7-RC-N-CR-B	48-7-RC-N-CR-B	E	Momentary	PC	Round, Chrome	None	Chrome				
850-48-7-RB-R-BK-B	48-7-RB-R-BK-B	E	Momentary	PC	Round, Black	Red	Black				

