

E-SWITCH Pushbutton Switches



RoHS Compliant This page of product is compliant.

E-SWITCH™ SERIES MDP-16 MODULAR PUSHBUTTON SWITCH-INTERCHANGEABLE ACTUATORS

E-Switch introduces the new MDP-16 Series. As part of the MD-16 series, these pushbutton switches are modular in that you use one single base and have multiple actuator options to choose from. The actuator styles for these pushbuttons include a high bezel, a low bezel, flush mount, overhang lens and a full guard. They come in rectangular, square or round.



RoHS Compliant

Features:

- Modular interface design
- Attractive front panel design
- Illuminated options available
- Robust product for industrial applications

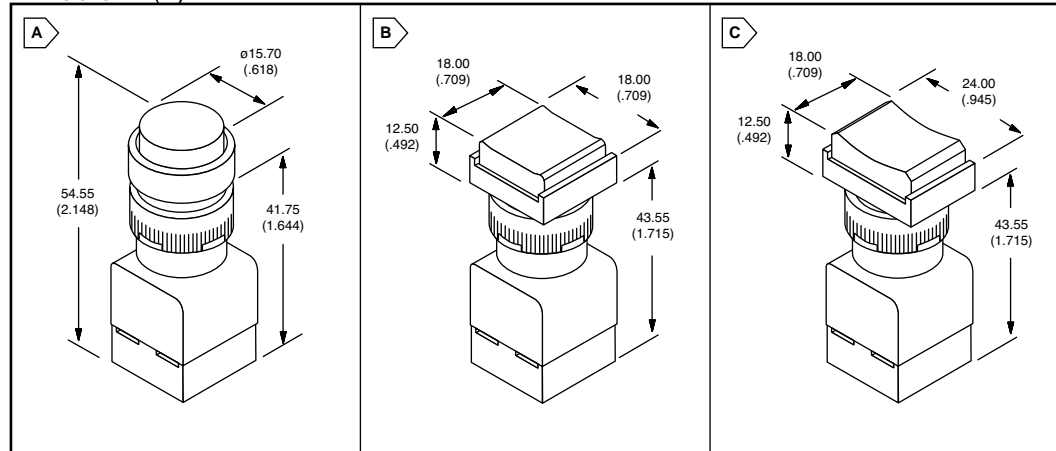
Specifications:

- Mechanical Life: 50,000 cycles
- Force: 500 grams for SPDT; 800 grams for DPDT
- Electrical Life: 6,000 cycles
- Contact Rating: 5A, 250VAC; 8A 125VAC UL and VDE
- Contact Resistance: 100 milliohms (initial max)
- Insulation Resistance: 50Milliohms (Min @100V)
- Dielectric Strength: 2000VDC

Environmental Specifications:

- Operating Temperature: -25C to +55C
- Storage Temperature: -40C to +70C

DIMENSIONS: mm (in.)



For quantities greater than listed, call for quote.

MOUSER STOCK NO.	E-Switch Part No.	Fig.	Circuit Configuration	Actuator Configuration	Actuator Style	Lamp	Actuator Color	Price Each		
								1	10	50
612-MDP160AR11R	MDP160AR11R	A	Actuator	Round	Low Bezel	6 VAC	Red			
612-MDP160AR19G	MDP160AR19G	A	Actuator	Round	Low Bezel	6 VDC	Green			
612-MDP160AR31R	MDP160AR31R	A	Actuator	Round	Flush Mount	6 VAC	Red			
612-MDP160AR39G	MDP160AR39G	A	Actuator	Round	Flush Mount	6 VDC	Green			
612-MDP160AS11R	MDP160AS11R	B	Actuator	Square	Low Bezel	6 VAC	Red			
612-MDP160AS19G	MDP160AS19G	B	Actuator	Square	Low Bezel	6 VDC	Green			
612-MDP160AS51R	MDP160AS51R	B	Actuator	Square	Full Guard	6 VAC	Red			
612-MDP160AT11R	MDP160AT11R	C	Actuator	Rectangular	Low Bezel	6 VAC	Red			
612-MDP160AT19G	MDP160AT19G	C	Actuator	Rectangular	Low Bezel	6 VDC	Green			
612-MDP16R111R	MDP16R111R	A	SPDT	Round	Low Bezel	6 VAC	Red			

E-SWITCH™ SERIES RP8100 ROUND, ILLUMINATED PUSHBUTTONS

E-Switch introduces their newest illuminated pushbutton switch, the RP8100! Offered in a sleek, round design, you can get it in a threaded or snap-in panel mount version. There are 5 LED color options for the illumination, or you can get it without illumination. Sealed with an IP65 rating, this switch is great for audio/visual, telecommunications, appliance, instrumentation and consumer electronics markets, to name a few.

Features:

- Threaded or snap in panel mount
- Extended Operating life - 500k cycles
- LED illuminated option
- Sealed to IP65

Materials:

- Housing: Nylon
- Button: Nylon
- Terminal Case: Thermo plastic
- Terminals: Copper Alloy, plated
- Contact: Copper Alloy, plated

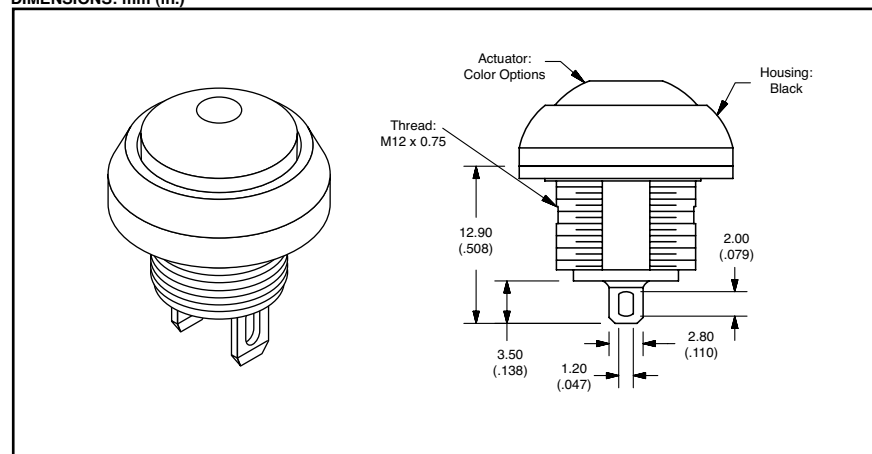
Specifications:

- Contact Rating: 125 mA @ 125 VAC; 100mA @ 50VDC
- Life Expectancy: 500,000 cycles at full load
- Contact Resistance: 50milliohms max (initial)
- Insulation Resistance: 1,000 Megaohms min @ 500VDC
- Dielectric Strength: 1,000 VAC rms.
- Operating Force: 300 gf +/- 100 gf
- Operating Temperature: -30 C to +85 C
- Contact Bounce: 10ms MAX
- Travel: 1.5mm



RoHS Compliant

DIMENSIONS: mm (in.)



For quantities greater than listed, call for quote.

MOUSER STOCK NO.	E-Switch Part No.	Bushing	Contact Material	Cap Color	LED Color	Price Each		
						1	10	50
612-M1CEBLKBLKNIL	RP8100B1M1CEBLKBLKNIL	Snap-in	Gold over Silver	Black	Non-Illuminated			
612-M1CEBLKBLKBLU	RP8100B2M1CEBLKBLKBLU	Threaded	Gold over Silver	Black	Blue			
612-M1CEBLKBLKGRN	RP8100B2M1CEBLKBLKGRN	Threaded	Gold over Silver	Black	Green			
612-M1CEBLKBLKRED	RP8100B2M1CEBLKBLKRED	Threaded	Gold over Silver	Black	Red			
612-M1CEBLKBLKWHT	RP8100B2M1CEBLKBLKWHT	Threaded	Gold over Silver	Black	White			
612-M1CEBLKBLUNIL	RP8100B2M1CEBLKBLUNIL	Threaded	Gold over Silver	Blue	Non-Illuminated			