

E-SWITCH™ LP11 SERIES ILLUMINATED PUSHBUTTON

Features:

- Multiple illuminated options
- Tactile or Non-Tactile feel
- Multiple cape size



For quantities of 250 and up, call for quote.

MOUSER STOCK NO.	E-Switch Part No.	Fig.	Contact Form	Actuation Type	Cap/Body Dim. "L"	Cap Color	Price Each		
							1	10	100
612-LP110A1TBSGG	LP110A1TBSGG	A	SPST	Tactile Feel	15mm sq.	Green-Green			
612-LP110A1TBSRB	LP110A1TBSRB	A	SPST	Tactile Feel	15mm sq.	Red-Blue			
612-LP110A1TBSRR	LP110A1TBSRR	A	SPST	Tactile Feel	15mm sq.	Red-Red			

E-SWITCH™ PS SERIES MOMENTARY PUSHBUTTON SWITCHES



For quantities of 500 and up, call for quote.

MOUSER STOCK NO.	E-Switch Part No.	Fig.	Contact Form	Contact Rating	Cap/Body Dim. "L"	Cap Color	Price Each				
							1	10	50	100	250
612-PS1040A-RED	PS1040A-RED	B	SPST	3A	14mm	Red					
612-PS1040A-BLK	PS1040A-BLK	B	SPST	3A	14mm	Black					
612-PS1057A-RED	PS1057A-RED	C	SPST	1A	14mm	Red					
612-PS1057A-BLK	PS1057A-BLK	C	SPST	1A	14mm	Black					

E-SWITCH™ RP SERIES PUSHBUTTON SWITCHES



For quantities of 500 and up, call for quote.

MOUSER STOCK NO.	E-Switch Part No.	Fig.	Contact Form	Contact Rating	Cap/Body Dim. "L"	Cap Color	Price Each			
							1	10	50	100
With Plastic Bushing										
612-RP3502A-BLK	RP3502A-BLK	D	SPST-NO	1A	17mm	Black				
612-RP3502B-BLK	RP3502B-BLK	D	SPST-NC	1A	19.3mm	Black				
612-RP3502A-RED	RP3502A-RED	D	SPST-NO	1A	17mm	Red				
612-RP3502B-RED	RP3502B-RED	D	SPST-NC	1A	19.3mm	Red				
With Metal Bushing										
612-RP3502MA-BLK	RP3502MA-BLK	E	SPST-NO	3A	17mm	Black				
612-RP3502MB-BLK	RP3502MB-BLK	E	SPST-NC	3A	19.3mm	Black				
612-RP3502MA-GRN	RP3502MA-GRN	E	SPST-NO	3A	17mm	Green				
612-RP3502MB-GRN	RP3502MB-GRN	E	SPST-NC	3A	19.3mm	Green				
612-RP3502MA-YEL	RP3502MA-YEL	E	SPST-NO	3A	17mm	Yellow				
612-RP3502MB-YEL	RP3502MB-YEL	E	SPST-NC	3A	19.3mm	Yellow				
612-RP3502MA-RED	RP3502MA-RED	E	SPST-NO	3A	17mm	Red				
612-RP3502MB-RED	RP3502MB-RED	E	SPST-NC	3A	19.3mm	Red				
With LED										
612-RP3508BL-RED	RP3508BL-RED	F	SPST	3A	20mm	Red				
612-RP3508BL-GRN	RP3508BL-GRN	F	SPST	3A	20mm	Green				
612-RP3508BL-YEL	RP3508BL-YEL	F	SPST	3A	20mm	Yellow				

E-SWITCH™ PBH SERIES PUSHBUTTON SWITCHES



Specifications:

- Contact rating: 100mA @ 30VDC
- Contact material: Silver
- Timing: non-shorting
- PC mount

For quantities of 250 and up, call for quote.

MOUSER STOCK NO.	E-Switch Part No.	Fig.	Contact Form	Circuit Action	Cap Color	Price Each			
						1	10	50	100
612-PBH2UOANAGX	PBH2UOANAGX	G	DPDT	Momentary	---				
* 612-PBH2UEENAGX	PBH2UEENAGX	G	DPDT	Latching	---				
612-PBH2UEEK	PBH2UEEKZYNAG1RBLK	G	DPDT	Latching	Black				
* 612-PBH4UEENA	PBH4UEENAGX	G	4PDT	Latching	---				
612-PBH2UOAK	PBH2UOAKZXSAGX	G	DPDT	Momentary	---				
612-PBH2UEEN	PBH2UEENAG1DWHHT	G	DPDT	Latching	White				
612-PBH6UEEN	PBH6UEENAG1DBLK	G	6PDT	Latching	Black				
* 612-PBH4UOANAGX	PBH4UOANAGX	G	4PDT	Momentary	---				
612-PBH4UEEK	PBH4UEEKZYNAG1SBLK	G	4PDT	Latching	Black				
* 612-PBH6UEENA	PBH6UEENAGVX	G	6PDT	Latching	---				

* Gold plated contacts

E-SWITCH™ 5500 AND 5511 SERIES PUSHBUTTON SWITCHES

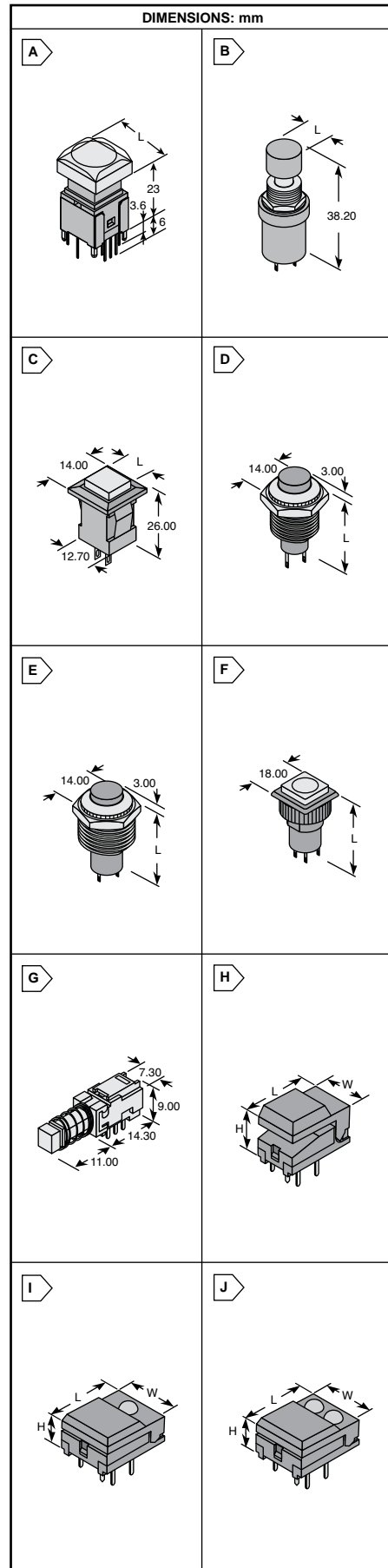


Specifications:

- Contact rating: 12mA
- Contact resistance: <50m Ω
- Voltage rating: 24VDC
- Operating force: <200gf
- Contact material: gold plated copper alloy
- Contact form: SPDT

For quantities of 500 and up, call for quote.

MOUSER STOCK NO.	E-Switch Part No.	Fig.	Cap Style	Cap Color	LED(s) Color	Dimensions L x W x H	Price Each			
							1	10	50	100
5500 Series										
612-5501M1X	5501M1X	H	Small	Black	None	17.1 x 12.3 x 14.3				
612-5501M2X	5501M2X	H	Small	Gray	None	17.1 x 12.3 x 14.3				
612-5501M5X	5501M5X	H	Small	Red	None	17.1 x 12.3 x 14.3				
612-5501M11	5501M11	I	Small	Black	Red	17.1 x 12.3 x 14.3				
612-5501M12	5501M12	I	Small	Black	Green	17.1 x 12.3 x 14.3				
612-5501M21	5501M21	I	Small	Gray	Red	17.1 x 12.3 x 14.3				
612-5501M2-12	5501M2-1/2	J	Small	Gray	Red/Grn	17.1 x 12.3 x 14.3				
5511 Series										
612-5511M4X	5511M4X	H	Large	Blue	None	17.1 x 17.3 x 14.3				
612-5511M8X	5511M8X	H	Large	White	None	17.1 x 17.3 x 14.3				
612-5511M11	5511M11	I	Large	Black	Red	17.1 x 17.3 x 14.3				
612-5511M12	5511M12	I	Large	Black	Green	17.1 x 17.3 x 14.3				
612-5511M51	5511M51	I	Large	Red	Red	17.1 x 17.3 x 14.3				
612-5511M52	5511M52	I	Large	Red	Green	17.1 x 17.3 x 14.3				
612-5511M81	5511M81	I	Large	White	Red	17.1 x 17.3 x 14.3				
612-5511M82	5511M82	I	Large	White	Green	17.1 x 17.3 x 14.3				
612-5511M2-12	5511M2-1/2	J	Large	Gray	Red/Grn	17.1 x 17.3 x 14.3				



Pushbutton Switches E-Switch