

C&K Pushbutton Switches



RoHS Compliant This product is RoHS compliant.

AP SERIES INDUSTRIAL PUSHBUTTON SWITCHES

Features:

- IP67 sealed
- Sealed against dirt and fluids, UV tolerant
- 1,000,000 life cycle
- Illumination / non-illumination
- Multiple colored caps
- Threaded or snap-in mounting
- SPST, normally open
- Termination styles: solder lug, PC terminals (non-illuminated only), or 12" wire leads (22 AWG)
- Caps can not be removed and don't spin after installation. Caps available in different colors and dome, concave, or extended dome.
- 2N and 4N operating force options

Applications:

- Harsh environments
- Off-Road transportation
- Automotive
- Marine
- Industrial
- Medical
- Transportation
- Joystick control modules, grips
- Gaming
- Food & Beverage
- Military
- Anywhere there are industrial/agricultural chemicals present (bases, hydrocarbons, various oils and fuels)

Non-Illuminated Industrial Pushbutton Switches

For quantities of 250 and up, call for quote.

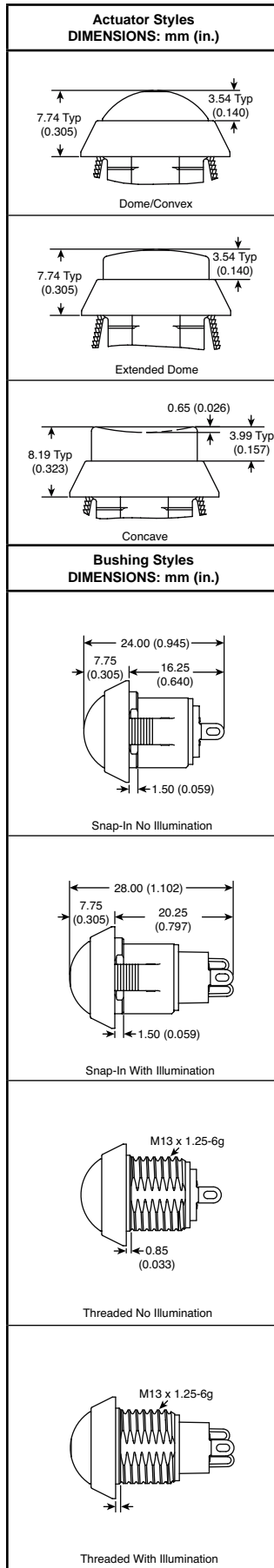
MOUSER STOCK NO.	C&K Part No.	Operating Force	Actuator Style	Actuator Color	Termination	Price Each			
						1	25	50	100
Snap-In									
611-AP2C300SZBE	AP2C300SZBE	2 N	Concave	No Cap	Solder Lug				
611-AP4C300SZBE	AP4C300SZBE	4 N	Concave	No Cap	Solder Lug				
611-AP2D200SWBE	AP2D200SWBE	2 N	Dome/Convex	Black	Wire Lead				
611-AP2D200SZBE	AP2D200SZBE	2 N	Dome/Convex	Black	Solder Lug				
611-AP2D300SZBE	AP2D300SZBE	2 N	Dome/Convex	Red	Solder Lug				
611-AP4D200SWBE	AP4D200SWBE	4 N	Dome/Convex	Black	Wire Lead				
611-AP4D200SZBE	AP4D200SZBE	4 N	Dome/Convex	Black	Solder Lug				
611-AP4D300SZBE	AP4D300SZBE	4 N	Dome/Convex	Red	Solder Lug				
611-AP2E200SWBE	AP2E200SWBE	2 N	Extended Dome	Black	Wire Lead				
611-AP2E200SZBE	AP2E200SZBE	2 N	Extended Dome	Black	Solder Lug				
611-AP2E300SZBE	AP2E300SZBE	2 N	Extended Dome	Red	Solder Lug				
611-AP4E200SWBE	AP4E200SWBE	4 N	Extended Dome	Black	Wire Lead				
611-AP4E200SZBE	AP4E200SZBE	4 N	Extended Dome	Black	Solder Lug				
611-AP4E300SZBE	AP4E300SZBE	4 N	Extended Dome	Red	Solder Lug				
611-AP2N000SZBE	AP2N000SZBE	2 N	None	No Cap	Solder Lug				
611-AP4N000SWBE	AP4N000SWBE	4 N	None	No Cap	Wire Lead				
611-AP4N000SZBE	AP4N000SZBE	4 N	None	No Cap	Solder Lug				
Threaded									
611-AP2C300TZBE	AP2C300TZBE	2 N	Concave	No Cap	Solder Lug				
611-AP4C300TZBE	AP4C300TZBE	4 N	Concave	No Cap	Solder Lug				
611-AP2D200TZBE	AP2D200TZBE	2 N	Dome/Convex	Black	Solder Lug				
611-AP2D300TZBE	AP2D300TZBE	2 N	Dome/Convex	Red	Solder Lug				
611-AP2D200TWBE	AP2D200TWBE	2 N	Dome/Convex	Black	Wire Lead				
611-AP4D200TZBE	AP4D200TZBE	4 N	Dome/Convex	Black	Solder Lug				
611-AP4D300TZBE	AP4D300TZBE	4 N	Dome/Convex	Red	Solder Lug				
611-AP4D200TWBE	AP4D200TWBE	4 N	Dome/Convex	Black	Wire Lead				
611-AP2E200TZBE	AP2E200TZBE	2 N	Extended Dome	Black	Solder Lug				
611-AP2E300TZBE	AP2E300TZBE	2 N	Extended Dome	Red	Solder Lug				
611-AP2E200TWBE	AP2E200TWBE	2 N	Extended Dome	Black	Wire Lead				
611-AP4E200TZBE	AP4E200TZBE	4 N	Extended Dome	Black	Solder Lug				
611-AP4E300TZBE	AP4E300TZBE	4 N	Extended Dome	Red	Solder Lug				
611-AP4E200TWBE	AP4E200TWBE	4 N	Extended Dome	Black	Wire Lead				
611-AP2N000TZBE	AP2N000TZBE	2 N	None	No Cap	Solder Lug				
611-AP4N000TZBE	AP4N000TZBE	4 N	None	No Cap	Solder Lug				
611-AP4N000TWBE	AP4N000TWBE	4 N	None	No Cap	Wire Lead				

Illuminated Industrial Pushbutton Switches

Option Code	Illumination Type	Typical Intensity		Peak Wavelength	Vf Forward Voltage
		Min.	Max.		
02	LED Bi-Color: Red (Green)	10	20	635/565	2.0
03	LED Red	4	8	700	2.0
06	LED Green	35	50	565	2.0
07	LED Super Blue	800	1500	470	3.8

For quantities of 250 and up, call for quote.

MOUSER STOCK NO.	C&K Part No.	Operating Force	Actuator Style	Actuator Color	LED Color	Termination	Price Each			
							1	25	50	100
Snap-In										
611-AP2D202SZBE	AP2D202SZBE	2 N	Dome/Convex	Black	Red(Green)	Solder Lug				
611-AP4D202SZBE	AP4D202SZBE	4 N	Dome/Convex	Black	Red(Green)	Solder Lug				
611-AP2D207SZBE	AP2D207SZBE	2 N	Dome/Convex	Black	Super Blue	Solder Lug				
611-AP4D207SZBE	AP4D207SZBE	4 N	Dome/Convex	Black	Super Blue	Solder Lug				
611-AP4E206SZBE	AP4E206SZBE	4 N	Extended Dome	Black	Green	Solder Lug				
611-AP2E202SZBE	AP2E202SZBE	2 N	Extended Dome	Black	Red(Green)	Solder Lug				
611-AP4E202SZBE	AP4E202SZBE	4 N	Extended Dome	Black	Red(Green)	Solder Lug				
611-AP2E207SZBE	AP2E207SZBE	2 N	Extended Dome	Black	Super Blue	Solder Lug				
611-AP4E207SZBE	AP4E207SZBE	4 N	Extended Dome	Black	Super Blue	Solder Lug				
611-AP2N006SZBE	AP2N006SZBE	2 N	None	No Cap	Green	Solder Lug				
611-AP4N006SZBE	AP4N006SZBE	4 N	None	No Cap	Green	Solder Lug				
611-AP2N003SZBE	AP2N003SZBE	2 N	None	No Cap	Red	Solder Lug				
611-AP4N003SZBE	AP4N003SZBE	4 N	None	No Cap	Red	Solder Lug				
611-AP2N002SZBE	AP2N002SZBE	2 N	None	No Cap	Red(Green)	Solder Lug				
611-AP4N002SZBE	AP4N002SZBE	4 N	None	No Cap	Red(Green)	Solder Lug				
611-AP2N007SZBE	AP2N007SZBE	2 N	None	No Cap	Super Blue	Solder Lug				
611-AP4N007SZBE	AP4N007SZBE	4 N	None	No Cap	Super Blue	Solder Lug				
611-AP4N007SWBE	AP4N007SWBE	4 N	None	No Cap	Super Blue	Wire Lead				
Threaded										
611-AP2D202TZBE	AP2D202TZBE	2 N	Dome/Convex	Black	Red(Green)	Solder Lug				
611-AP4D202TZBE	AP4D202TZBE	4 N	Dome/Convex	Black	Red(Green)	Solder Lug				
611-AP2D207TZBE	AP2D207TZBE	2 N	Dome/Convex	Black	Super Blue	Solder Lug				
611-AP4D207TZBE	AP4D207TZBE	4 N	Dome/Convex	Black	Super Blue	Solder Lug				
611-AP2E202TZBE	AP2E202TZBE	2 N	Extended Dome	Black	Red(Green)	Solder Lug				
611-AP4E202TZBE	AP4E202TZBE	4 N	Extended Dome	Black	Red(Green)	Solder Lug				
611-AP2E207TZBE	AP2E207TZBE	2 N	Extended Dome	Black	Super Blue	Solder Lug				
611-AP4E207TZBE	AP4E207TZBE	4 N	Extended Dome	Black	Super Blue	Solder Lug				
611-AP2N006TZBE	AP2N006TZBE	2 N	None	No Cap	Green	Solder Lug				
611-AP4N006TZBE	AP4N006TZBE	4 N	None	No Cap	Green	Solder Lug				
611-AP2N003TZBE	AP2N003TZBE	2 N	None	No Cap	Red	Solder Lug				
611-AP4N003TZBE	AP4N003TZBE	4 N	None	No Cap	Red	Solder Lug				
611-AP2N002TZBE	AP2N002TZBE	2 N	None	No Cap	Red(Green)	Solder Lug				
611-AP4N002TZBE	AP4N002TZBE	4 N	None	No Cap	Red(Green)	Solder Lug				
611-AP2N007TZBE	AP2N007TZBE	2 N	None	No Cap	Super Blue	Solder Lug				
611-AP4N007TZBE	AP4N007TZBE	4 N	None	No Cap	Super Blue	Solder Lug				



NEW FROM C&K

NEW FROM C&K

C&K

Pushbutton Switches

NEW FROM C&K

NEW FROM C&K