

C&K Pushbutton Switches

C&K EP SERIES: SEALED TINY PUSHBUTTON SWITCHES

- Features:**
- Epoxy sealed against solder & cleaning processes
- Applications:**
- Telecommunication equipment
 - Computer peripherals
 - Instrumentation
- Specifications:**
- Contact material: B - Cu alloy, w/ Au plate over Ni plate, Au plate terminal
K - Are with SN/PB
P - Cu alloy, w/ Au plate over Ni plate, matte tin plate
 - terminal
 - Contact rating: B & P - 0.4VA @ 20VAC or DC max.
 - Plunger material: Thermoplastic polyester or glass filled nylon (UL 94V-0) with o-ring seal
 - IP67 degree of protection

For quantities of 250 and up, call for quote.

MOUSER STOCK NO.	C&K Part No.	Fig.	Contact Form	Circuit () = Momentary	Contact Material	Price Each			
						1	25	50	100
PC Thru-Hole									
611-EP11-003	EP11SD1CBE	A	SPST	(On)-Off	B				
611-EP12-003	EP12SD1CBE	A	SPDT	(On)-On	B				
611-EP21-003	EP21SD1CBE	B	DPST	(On)-Off	B				
Right-Angle PC Thru-Hole									
611-EP11-001	EP11SD1ABE	C	SPST	(On)-Off	B				
611-EP11-002	EP11SD1AVBE	D	SPST	(On)-Off	B				
611-EP12-001	EP12SD1ABE	C	SPDT	(On)-On	B				
611-EP12-011	EP12SD1AVBE	D	SPDT	(On)-On	B				
611-EP15SD1ABE	EP11S2D1ABE	E	SPST	Off-(On)	B				
611-EP21-001	EP21SD1ABE	F	DPST	(On)-Off	B				
Right-Angle Surface Mount									
611-EP11-004	EP11SD1SAKE	G	SPST	(On)-Off	K				
611-EP11-004P	EP11SD1SAPE	G	SPST	(On)-Off	P				

C&K TP SERIES: TINY PUSHBUTTON SWITCHES

- Features:**
- Subminiature size capable of switching up to 1A
- Applications:**
- Telecommunication equipment
 - Computer peripherals
 - Instrumentation
- Specifications:**
- Contact material: B - Cu alloy, w/ Au plate over Ni plate, Au plate terminal
Q - Cu alloy, w/ Ag plate, Ag plate terminal
 - Contact rating: B - 0.4VA @ 20VAC or DC max.
Q - 1A @ 120VAC or 28VDC
 - Plunger material: Thermoplastic polyester (UL 94V-0)

For quantities of 250 and up, call for quote.

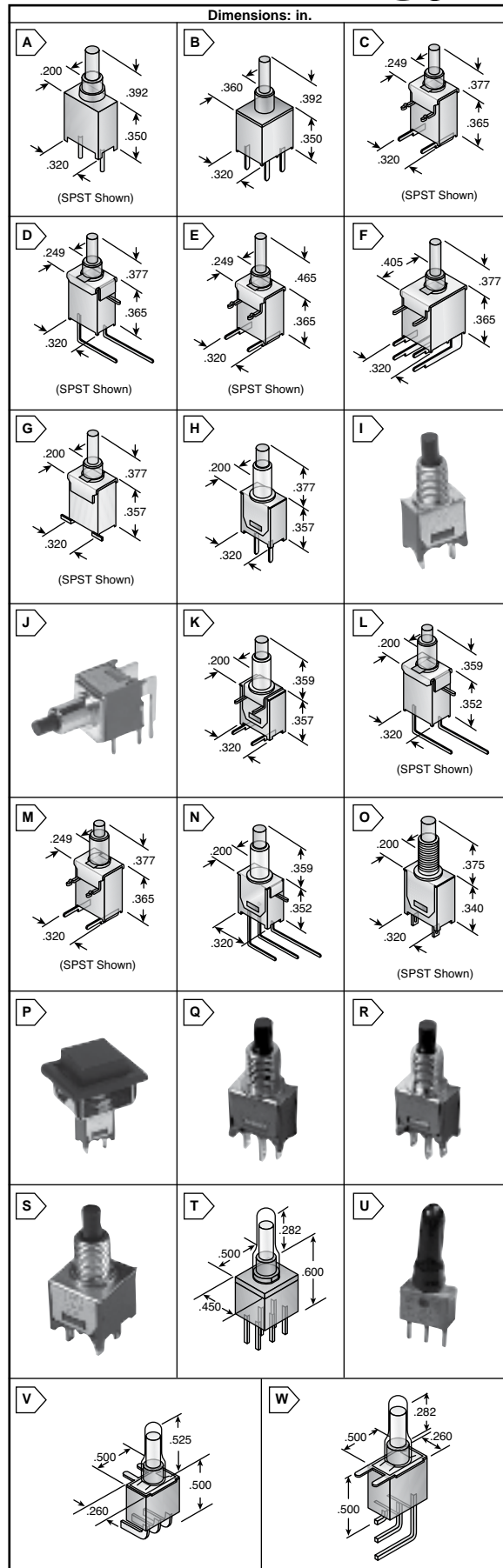
MOUSER STOCK NO.	C&K Part No.	Fig.	Contact Form	Circuit () = Momentary	Contact Material	Price Each			
						1	25	50	100
PC Thru-Hole									
611-TP11-005	TP11SH9CBE	H	SPST	(On)-Off	B				
611-TP11LTCQE	TP11LTCQE	I	SPST	Off-(On)	Q				
611-TP11SHCBQE	TP11SHCBQE	H	SPST	Off-(On)	B				
611-TP11SHCQBE	TP11SHCQBE	H	SPST	Off-(On)	Q				
611-TP12SHCBQE	TP12SHCBQE	H	SPDT	(On)-Off	B				
611-TP21SH9CBE	TP21SH9CBE	J	DPST	Off-(On)	B				
Right-Angle PC Thru-Hole									
611-TP11-006	TP11SH8ABE	K	SPST	(On)-Off	B				
611-TP11-004	TP11SH9ABE	K	SPST	Off-(On)	B				
611-TP12-007	TP12SH8AQE	K	SPDT	(On)-On	Q				
611-TP11SH8AGE	TP11SH8AGE	K	SPST	(On)-Off	G				
611-TP11SH8AQE	TP11SH8AQE	K	SPST	(On)-Off	B				
611-TP11SH8AVBE	TP11SH8AVBE	K	SPST	(On)-Off	B				
611-TP11-009	TP11SH9AVBE	L	SPST	Off-(On)	B				
611-TP12-006	TP12SH8ABE	M	SPDT	(On)-On	B				
611-TP12-004	TP12SH9ABE	M	SPDT	(On)-On	B				
611-TP12-008	TP12SH8AVBE	N	SPDT	(On)-On	B				
611-TP21SH8ABE	TP21SH8ABE	J	DPST	Off-(On)	B				
Solder Lug									
611-TP11-002	TP11SHZQE	O	SPST	Off-(On)	Q				
611-TP11J81ZQE22	TP11J81ZQE22	P	SPST	Off-(On)	Q				
611-TP11SHZBE	TP11SHZBE	O	SPST	Off-(On)	B				
611-TP12-002	TP12SHZQE	Q	SPDT	Off-(On)	Q				
611-TP12SHZBE	TP12SHZBE	R	SPDT	Off-(On)	B				
611-TP21-002	TP21SHZQE	R	DPST	Off-(On)	Q				
611-TP21SHZBE	TP21SHZBE	S	DPST	Off-(On)	B				

C&K E020 SERIES: SEALED SNAP-ACTING PUSHBUTTON SWITCHES

- Features:**
- Sealed construction - internal o-ring & epoxy base
- Applications:**
- Telecommunication equipment
 - Computer peripherals
 - Instrumentation
- Specifications:**
- Contact material: B - Cu alloy, w/ Au plate over Ni plate, Au plate terminal
G - Coin Ag, w/ Au plate over Ni plate, Au plate terminal
B - 0.4VA @ 20VAC or DC max.
G - 0.4VA @ 20VAC or DC max., or 1A @ 120VAC
 - Vinyl splashproof boot supplied standard. Discard only after soldering and cleaning processes are complete

For quantities of 250 and up, call for quote.

MOUSER STOCK NO.	C&K Part No.	Fig.	Contact Form	Circuit () = Momentary	Contact Material	Price Each			
						1	25	50	100
PC Thru-Hole									
611-E221-001	E221SD1CGE	T	DPDT	On-(On)	G				
611-E121-001	E121SD1CGE	U	SPDT	On-(On)	G				
Right-Angle PC Thru-Hole									
611-E121-002	E121SD1AGE	V	SPDT	On-(On)	G				
611-E125-004	E125SD1ABE	V	SPDT	On-(On)	B				
611-E121SD1AV3GE	E121SD1AV3GE	W	SPDT	On-(On)	G				



Pushbutton Switches C&K