

HONEYWELL Basic Switches

RoHS Compliant This product is RoHS compliant.

Honeywell

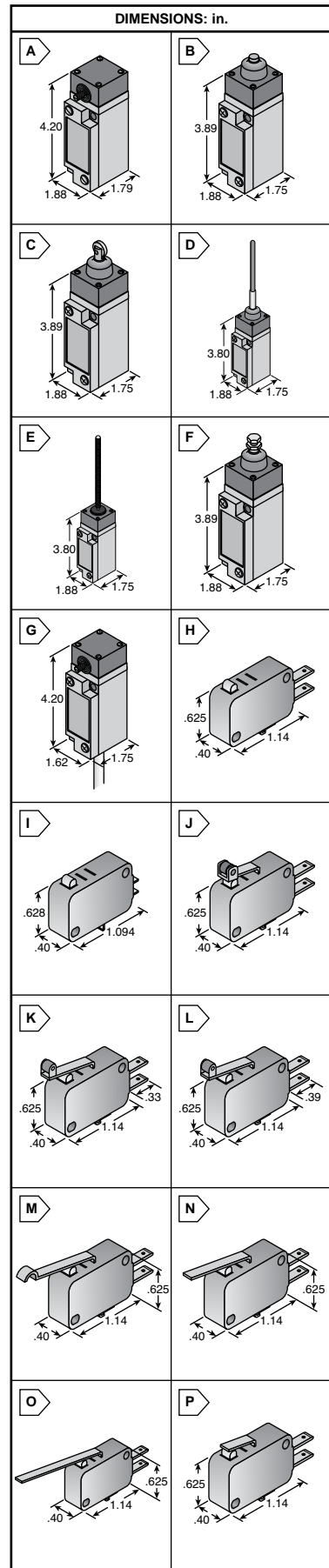
Sensing and Control

MICRO SWITCH™ HEAVY-DUTY LIMIT SWITCHES

Housed in a rugged, die-cast body, the switch is epoxy coated for protection. Wide choice of mounting and actuator options. Low temperature and fluorocarbon (high temperature) construction, as well as factory-sealed, pre-wired versions, are available.

For quantities of 100 and up, call for quote.

MOUSER STOCK NO.	Honeywell Part No.	Fig.	Contact Form	Circuitry	Actuator Type	Op. Force (max.)	Price Each		
							1	10	50
785-LSA1A	LSA1A	A	SPDT	1 NC 1 NO	Side Rotary	0.45 N			
785-LSA3K	LSA3K	A	SPDT	1 NC 1 NO	Side Rotary	0.45 N			
785-LSA4L	LSA4L	A	DPDT	2 NC 2 NO	Side Rotary	0.45 N			
785-LSA7L	LSA7L	A	DPDT	2 NC 2 NO	Side Rotary	0.45 N			
785-LSB1A	LSB1A	A	SPDT	1 NC 1 NO	Top Rotary	0.28 N			
785-LSE1A	LSE1A	A	SPDT	1 NC 1 NO	Side Plunger	26.69 N			
785-LSF1A	LSF1A	A	SPDT	1 NC 1 NO	Side Roller Plunger	26.69 N			
785-LSH1A	LSH1A	A	SPDT	1 NC 1 NO	Side Rotary	0.19 N			
785-LSM2D	LSM2D	A	DPDT	2 NC 2 NO	Side Rotary	0.45 N			
785-LSM6D	LSM6D	A	DPDT	2 NC 2 NO	Side Rotary	0.45 N			
785-LSM7N	LSM7N	A	DPDT	2 NC 2 NO	Side Rotary	0.45 N			
785-LSN1A	LSN1A	A	SPDT	1 NC 1 NO	Side Rotary	0.45 N			
785-LSN3K	LSN3K	A	SPDT	1 NC 1 NO	Side Rotary	0.45 N			
785-LSP1A	LSP1A	A	SPDT	1 NC 1 NO	Side Rotary	0.45 N			
785-LSP3K	LSP3K	A	SPDT	1 NC 1 NO	Side Rotary	0.45 N			
785-LSR1A	LSR1A	A	SPDT	1 NC 1 NO	Side Rotary	0.19 N			
785-LSU1A	LSU1A	A	SPDT	1 NC 1 NO	Side Rotary	0.45 N			
785-LSU3K	LSU3K	A	SPDT	1 NC 1 NO	Side Rotary	0.45 N			
785-LSW1A	LSW1A	A	SPDT	1 NC 1 NO	Side Plunger-adj.	26.69 N			
785-LSYAB1A	LSYAB1A	A	SPDT	1 NC 1 NO	Side Rotary	0.45 N			
785-LSYAB3K	LSYAB3K	A	SPDT	1 NC 1 NO	Side Rotary	0.45 N			
785-LSYPB1A	LSYPB1A	A	SPDT	1 NC 1 NO	Side Rotary	0.45 N			
785-LSC1A	LSC1A	B	SPDT	1 NC 1 NO	Top Plunger	17.79 N			
785-LSD1A	LSD1A	C	SPDT	1 NC 1 NO	Top Plunger	17.79 N			
785-LSJ1A-7A	LSJ1A-7A	D	SPDT	1 NC 1 NO	Wobble-Plastic Rod	2.78 N			
785-LSK1A-8C	LSK1A-8C	E	SPDT	1 NC 1 NO	Wobble-Coil Spring	1.95 N			
785-LSV1A	LSV1A	F	SPDT	1 NC 1 NO	Top Plunger-adj.	17.79 N			
785-LSYAC3KP-FP	LSYAC3KP-FP	G	SPDT	1 NC 1 NO	Side Rotary	0.45 N			



V-BASIC SWITCHES

• Termination Style: Quick Connect

* Solder Lug

** Through Hole

MOUSER STOCK NO.	Honeywell Part No.	Fig.	Contact Form	Voltage	Actuator Type	Op. Force (max.)	Price Each		
							1	10	50
785-V7-1B17D8	V7-1B17D8	H	SPDT	250VAC	Pin Plunger	1.47 N			
785-V7-1C17D8	V7-1C17D8	H	SPDT	250VAC	Pin Plunger	1.47 N			
785-V7-1C17E9	V7-1C17E9	H	SPDT	277VAC	Pin Plunger	1.47 N			
785-V7-1S17D8	V7-1S17D8	H	SPDT	125VAC	Pin Plunger	1.47 N			
785-V7-1V19E9	V7-1V19E9	H	SPDT	277VAC	Pin Plunger	2.21 N			
785-V7-1V29E9	V7-1V29E9	H	SPNO	277VAC	Pin Plunger	2.21 N			
785-V7-1Z19E9	V7-1Z19E9	H	SPDT	250VAC	Pin Plunger	7.9 N			
785-V7-1Z29E9	V7-1Z29E9	H	SPNO	250VAC	Pin Plunger	7.9 N			
785-V7-2B17D8	V7-2B17D8	H	SPDT	250VAC	Pin Plunger	2.63 N			
785-V7-3E17D8	V7-3E17D8	H	SPDT	277VAC	Pin Plunger	0.49 N			
785-V7-4A17D8	V7-4A17D8	H	SPDT	250VAC	Pin Plunger	0.25 N			
785-V7-5F17D8	V7-5F17D8	H	SPDT	250VAC	Pin Plunger	0.15 N			
785-V7-6B19D8	V7-6B19D8	H	SPDT	277VAC	Pin Plunger	1.67 N			
785-V7-6C17D8	V7-6C17D8	H	SPDT	277VAC	Pin Plunger	1.67 N			
* 785-V3-15	V3-15	I	SPDT	125VAC	Pin Plunger	6-14 oz.			
785-V7-1C17D8-201	V7-1C17D8-201	J	SPDT	277VAC	Roller Lever	1.72 N			
785-V7-1C17E9-201	V7-1C17E9-201	J	SPDT	277VAC	Roller Lever	1.72 N			
785-V7-2B17D8-201	V7-2B17D8-201	J	SPDT	277VAC	Roller Lever	0.86 N			
785-V7-2S17D8-201	V7-2S17D8-201	J	SPDT	125VAC	Roller Lever	0.88 N			
785-V7-7B17D8-201	V7-7B17D8-201	J	SPDT	277VAC	Roller Lever	2.78 N			
785-V7-2B17D8-207	V7-2B17D8-207	J	SPDT	277VAC	Roller Lever	.44 N			
785-V7-7D17D8-207	V7-7D17D8-207	J	SPDT	125VAC	Roller Lever	1.39 N			
** 785-V7-1C13D8-201	V7-1C13D8-201	J	SPDT	277VAC	Roller Lever	6.17 N			
785-V7-1C17E9-207	V7-1C17E9-207	K	SPDT	277VAC	Roller Lever	0.84 N			
785-V7-1B17D8-207	V7-1B17D8-207	L	SPDT	277VAC	Roller Lever	3 N			
785-V7-1C17D8-207	V7-1C17D8-207	L	SPDT	277VAC	Roller Lever	3.2 N			
785-V7-1B17D8-263	V7-1B17D8-263	M	SPDT	277VAC	Sim Roller Lever	0.88 N			
785-V7-1C17D8-263	V7-1C17D8-263	M	SPDT	277VAC	Sim Roller Lever	0.89 N			
785-V7-1S17D8-263	V7-1S17D8-263	M	SPDT	125VAC	Sim Roller Lever	0.88 N			
785-V7-6C17D8-263	V7-6C17D8-263	M	SPDT	277VAC	Sim Roller Lever	2.22 N			
785-V7-7B19D8-263	V7-7B19D8-263	M	SPDT	277VAC	Sim Roller Lever	1.39 N			
785-V7-1B17D8-022	V7-1B17D8-022	N	SPDT	277VAC	Straight Lever	0.80 N			
785-V7-1C17D8-022	V7-1C17D8-022	N	SPDT	277VAC	Straight Lever	0.80 N			
785-V7-1S17D8-022	V7-1S17D8-022	N	SPDT	125VAC	Straight Lever	0.83 N			
785-V7-3E17E9-022	V7-3E17E9-022	N	SPDT	277VAC	Straight Lever	0.29 N			
785-V7-1B19D8-022	V7-1B19D8-022	N	SPDT	277VAC	Straight Lever	2.9 N			
785-V7-2B17D8-022	V7-2B17D8-022	N	SPDT	277VAC	Straight Lever	1.5 N			
785-V15H16-CZ300A02K	V15H16-CZ300A02K	N	SPDT	125VAC	Straight Lever	300 gf			
785-V7-1B17D8-048	V7-1B17D8-048	O	SPDT	277VAC	Straight Lever	0.49 N			
785-V7-1C17D8-048	V7-1C17D8-048	O	SPDT	277VAC	Straight Lever	0.44 N			
785-V7-1V19E9-048	V7-1V19E9-048	O	SPDT	277VAC	Straight Lever	0.54 N			
785-V7-3S17D8-048	V7-3S17D8-048	O	SPDT	125VAC	Straight Lever	0.16 N			
785-V7-6B19D8-057	V7-6B19D8-057	O	SPDT	250VAC	Straight Lever	0.54 N			
785-V7-9W1AE9-048	V7-9W1AE9-048	O	SPDT	250VAC	Straight Lever	0.88 N			
785-V7-2B17D8-048	V7-2B17D8-048	O	SPDT	277VAC	Straight Lever	0.7 N			
* 785-V7-6C17D8-048-1	V7-6C17D8-048-1	O	SPDT	277VAC	Straight Lever	4.23 N			
785-V7-1C17D8-002	V7-1C17D8-002	P	SPDT	277VAC	Straight Lever	1.57 N			
785-V7-6C18D8-002	V7-6C18D8-002	P	SPDT	277VAC	Straight Lever	4.05 N			