


HONEYWELL Basic Switches

 This product is RoHS compliant.

Honeywell

Sensing and Control

MICRO SWITCH™ SPECIAL APPLICATION PRECISION SWITCHES

Contain a spring and set of contacts that convert mechanical energy applied to an actuator into an electrical output. Products include door interlocks that automatically cut power when a service drawer is opened, as well as switches that can handle a variety of special electrical load requirements. Wide variety of actuators, terminations, circuitry configurations, electrical ratings, contact materials, operating characteristics and seating provide application flexibility. U.S., European and other approval agency compliance allow global use.

For quantities of 100 and up, call for quote.

MOUSER STOCK NO.	Honeywell Part No.	Fig.	Contact Form	Voltage	Actuator Type	Op. Force (max.)	Termination Style	Price Each		
								1	10	50
785-1AC2	1AC2	A	SPDT	250 Vac	Rod	N/A	Screw			
785-1TB1-2	1TB1-2	B	DPDT	250 Vac	Pin Plunger	3.61 N	Solder			
785-3MN1	3MN1	C	DPDT	480 Vac	Pin Plunger	5.56 N	Screw			
785-DT-2R-A7	DT-2R-A7	D	DPDT	28 Vdc	Pin Plunger	2.78 N	Screw			
785-MT-4RV22-A28	MT-4RV22-A28	E	SPDT	125 Vdc	Roller Lever	1.25 N	Screw			
785-MT-4RV-A28	MT-4RV-A28	F	SPDT	125 Vdc	Straight Lever	0.56 N	Screw			

MICRO SWITCH™ STANDARD MINIATURE AND SUB MINIATURE SWITCHES

Common Features:

- Long-life beryllium-copper spring
- Wear-resistant phenolic base and cover
- Silver contacts
- UL recognized and CSA certified
- -T = Turret type solder terminals
- -T2 = Double turret type solder terminals

SX Series Features:

- Small precision snap-action switch
- Power load switching capability up to 7A
- Temperature tolerance: -54°C to +121°C

SM Series Features:

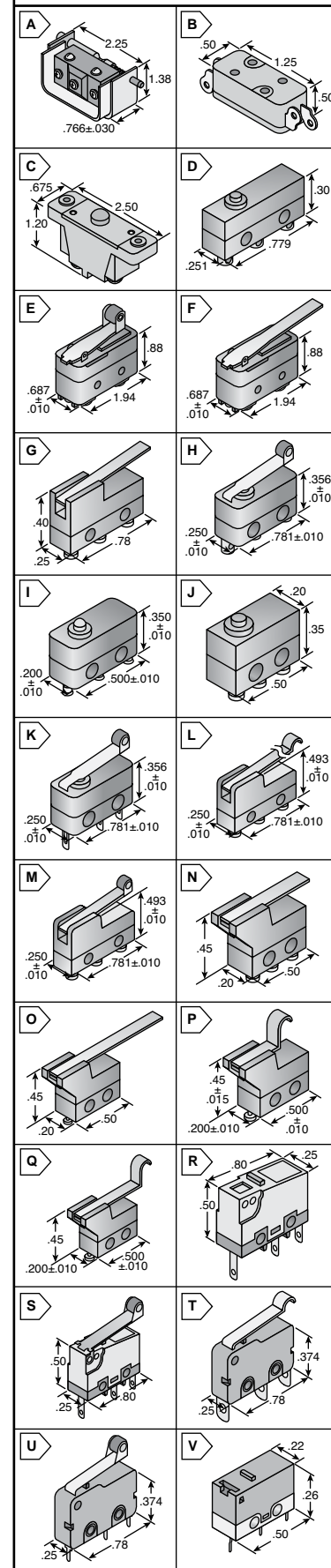
- Power load switching capability up to 11A
- Temperature tolerance: -54°C to +85°C



For quantities of 100 and up, call for quote.

MOUSER STOCK NO.	Honeywell Part No.	Fig.	Contact Form	Voltage	Actuator Type	Op. Force (max.)	Termination Style	Price Each		
								1	10	50
785-11SM1	11SM1	D	SPDT	250 Vac	Pin Plunger	1.39 N	Solder			
785-11SM1-T	11SM1-T	D	SPDT	250 Vac	Pin Plunger	0.83 N	Solder			
785-11SM144	11SM144	D	SPDT	250 Vac	Pin Plunger	0.83 N	Solder			
785-11SM1-T2	11SM1-T2	D	SPDT	250 Vac	Pin Plunger	0.83 N	Solder			
785-11SM23-T	11SM23-T	D	SPDT	125 Vac	Pin Plunger	0.83 N	Solder			
785-11SM3-T	11SM3-T	D	SPDT	250 Vac	Pin Plunger	0.83 N	Solder			
785-111SM1	111SM1	G	SPDT	250 Vac	Rod	--	Screw			
785-111SM1-T	111SM1-T	G	SPDT	250 Vac	Straight Lever	1.95 N	Solder			
785-311SM1-T	311SM1-T	G	SPDT	5A @ 250VAC	Straight Lever	1.4	Wire Wrap			
785-311SM2-H58	311SM2-H58	G	SPDT	250 Vac	Straight Lever	0.30 N	QC			
785-311SM2-T	311SM2-T	G	SPDT	5A @ 250VAC	Straight Lever	1.1	Wire Wrap			
785-311SM702-T	311SM702-T	G	SPDT	4A @ 250VAC	Straight Lever	0.4	Solder			
785-111SM2	111SM2	H	SPDT	125 Vac	Roller Lever	1.95 N	Solder			
785-111SM2-T	111SM2-T	I	SPDT	250 Vac	Roller Lever	1.95 N	Solder			
785-12SX1-T	12SX1-T	I	SPDT	125 Vac	Pin Plunger	0.7 N	Solder			
785-311SM3-H58	311SM3-H58	I	SPDT	250 Vac	Straight Lever	0.15 N	QC			
785-311SM3-T	311SM3-T	I	SPDT	5A @ 250VAC	Straight Lever	0.53	Solder			
785-311SM703-T	311SM703-T	I	SPDT	4A @ 250VAC	Straight Lever	0.2	Solder			
785-4SX1-T	4SX1-T	I	SPDT	250 Vac	Pin Plunger	1.39 N	Solder			
785-91SX39-T	91SX39-T	I	SPDT	28 Vdc	Pin Plunger	1.39 N	Solder			
785-111SM23-T	111SM23-T	J	SPDT	250 Vac	Roller Lever	1.95 N	Solder			
785-11SX21-T	11SX21-T	J	SPDT	250 Vac	Pin Plunger	0.7 N	Solder			
785-1SX1-H58	1SX1-H58	J	SPDT	250 Vac	Pin Plunger	1.39 N	QC			
785-1SX1-T	1SX1-T	J	SPDT	7A @ 250VAC	Pin Plunger	1.39 N	Solder			
785-1SX74-T	1SX74-T	J	SPDT	250 Vac	Pin Plunger	1.39 N	Solder			
785-2SX1-T	2SX1-T	J	SPDT	250 Vac	Pin Plunger	0.83 N	Solder			
785-3SX1-T	3SX1-T	J	SPDT	125 Vac	Pin Plunger	1.39 N	Solder			
785-411SM1	411SM1	J	SPDT	250 Vac	Pin Plunger	2.09 N	Solder			
785-41SM1-T	41SM1-T	J	SPDT	250 Vac	Pin Plunger	1.39 N	Solder			
785-41SM1-T2	41SM1-T2	J	SPDT	250 Vac	Pin Plunger	1.39 N	Solder			
785-111SM602-H4	111SM602-H4	K	SPDT	250 Vac	Roller Lever	1.95 N	QC			
785-311SM4-T	311SM4-T	L	SPDT	250 Vac	Sim Roller Lever	0.39 N	Solder			
785-311SM5-T	311SM5-T	L	SPDT	250 Vac	Sim Roller Lever	0.30 N	Solder			
785-311SM705-T	311SM705-T	L	SPDT	250 Vac	Sim Roller Lever	0.12 N	Solder			
785-ZX40E10E01	ZX40E10E01	L	SPDT	125 Vac	Sim Roller Lever	0.54 N	Solder			
785-21SX39-T	21SX39-T	M	SPDT	250 Vac	Pin Plunger	1.39 N	Solder			
785-311SM6-T	311SM6-T	M	SPDT	250 Vac	Roller Lever	0.39 N	Solder			
785-311SM68-T	311SM68-T	M	SPDT	125 Vac	Roller Lever	0.39 N	Solder			
785-311SM706-T	311SM706-T	M	SPDT	250 Vac	Roller Lever	0.16 N	Solder			
785-311SX1-T	311SX1-T	N	SPDT	5A @ 250VAC	Straight Lever	1.76	Solder			
785-311SX2-T	311SX2-T	N	SPDT	5A @ 250VAC	Straight Lever	1.1	Solder			
785-UX40E10C01	UX40E10C01	N	SPDT	125 Vac	Straight Lever	0.49 N	Solder			
785-UX40E10E01	UX40E10E01	N	SPDT	125 Vac	Straight Lever	0.56 N	Solder			
785-311SX3-T	311SX3-T	O	SPDT	250 Vac	Straight Lever	0.20 N	Solder			
785-311SX4-T	311SX4-T	P	SPDT	250 Vac	Sim Roller Lever	0.58 N	Solder			
785-311SX5-T	311SX5-T	Q	SPDT	250 Vac	Sim Roller Lever	0.31 N	Solder			
785-313SX4-T	313SX4-T	Q	SPDT	125 Vac	Sim Roller Lever	0.58 N	Solder			
785-UM50E70A01	UM50E70A01	R	SPDT	250 Vac	Pin Plunger	1.47 N	QC			
785-UM50E70F01	UM50E70F01	S	SPDT	250 Vac	Roller Lever	0.58 N	QC			
785-ZM50E10E01	ZM50E10E01	T	SPDT	125/250 Vac	Sim Roller Lever	0.34 N	Solder			
785-ZM90G20F01	ZM90G20F01	U	SPDT	125/250 Vac	Roller Lever	0.59 N	PCB Straight			
785-ZX40E30A01	ZX40E30A01	V	SPDT	125 Vac	Pin Plunger	1.47 N	PCB Snap-in			

DIMENSIONS: in.



Honeywell Basic/Snap Switches