

# CHERRY Snap Action Switches



## CHERRY E SERIES: GENERAL PURPOSE DOUBLE POLE SWITCHES

**Specifications:**

- Terminals: .250" Q.C.
- Package Size (In.) 1.823L x .644W x 1.125H

**Typical Applications:**

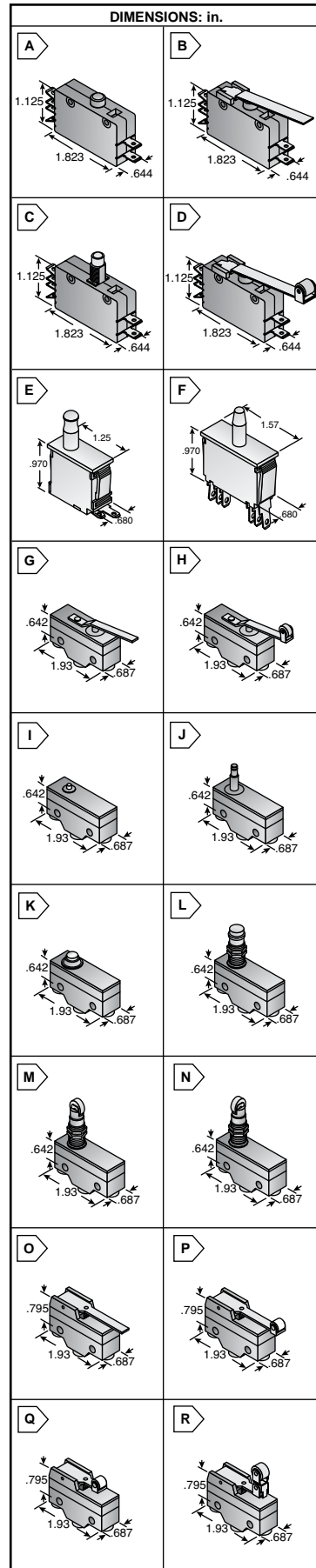
- Appliances
- Industrial Controls



RoHS Compliant

For quantities greater than 500, call for quote.

MOUSER STOCK NO.	Cherry Part No.	Fig.	Actuator Length (in.)	Actuator Style	Operating Force	Operating Position (in.)	Price Each			
							1	50	100	250
<b>Rating: 15A-125/250 VAC, 3/4 HP-125 VAC</b>										
540-E19-00A	E19-00A	A	-----	Button	850G	0.285±0.030				
540-E19-00H	E19-00H	B	1.5	Straight	205g	0.312±0.062				
540-E19-00J	E19-00J	C	-----	3/8 x 32 thread, plastic button	850g	0.670±0.030				
540-E19-00K	E19-00K	D	1.39	Roller	212g	0.718±0.062				
540-E19-00M	E19-00M	C	-----	3/8 x 32 thread, metal button	850g	0.812±0.030				
540-E19-50H	E19-50H	B	1.75	Straight	130g	0.281±0.062				
540-E19-50K	E19-50K	D	1.645	Roller	150g	0.687±0.062				
<b>Rating: 20A -125/250 VAC, 1HP-125 VAC</b>										
540-E20-00A	E20-00A	A	-----	Button	1280g	0.248±0.030				
540-E20-00K	E20-00K	D	0.652	Roller	425g	0.860±0.062				
540-E20-00M	E20-00M	C	-----	3/8 x 32 thread, metal button	1280g	0.774±0.030				
540-E20-50K	E20-50K	D	0.902	Roller	312g	0.828±0.062				
540-0012-0023	0012-0023	---	---	Brass Hex Nut	---	---				



## CHERRY E SERIES: PANEL MOUNT SNAP ACTION SWITCHES

**Specifications:**

- Package Size (In.) 1.250L x .680W x .970H

**Typical Applications:**

- HVAC
- Office Equipment



RoHS Compliant

For quantities greater than 500, call for quote.

MOUSER STOCK NO.	Cherry Part No.	Fig.	Terminal Type	Actuator Style	Operating Force	Operating Position (in.)	Price Each			
							1	50	100	250
<b>0.1 Amp, 125 VAC</b>										
540-E68-00A	E68-00A	E	.187 Q.C.	Button	425g	0.720±0.820				
540-E68-30A	E68-30A	E	.187 Q.C.	Button	475g	0.610±0.710				
540-E68-40A	E68-40A	E	.187 Q.C.	Button	425g	0.300±0.400				
<b>10 Amp, 125/250 VAC, 1/3 H.P., 125/250 VAC</b>										
540-E69-00A	E69-00A	E	.187 Q.C.	Button	425g	0.610±0.710				
540-E69-30A	E69-30A	E	.187 Q.C.	Button	475g	0.610±0.710				
540-E69-40A	E69-40A	E	.187 Q.C.	Button	425g	0.300±0.400				

**Double Pole** • Package Size (in.) 1.570L x .680W x .970H

<b>0.1 Amp, 125 VAC</b>										
MOUSER STOCK NO.	Cherry Part No.	Fig.	Terminal Type	Actuator Style	Operating Force	Operating Position (in.)	Price Each			
1	50	100	250							
540-E78-00A	E78-00A	F	.187 Q.C.	Button	680g	0.720±0.820				
<b>10 Amp, 125/250 VAC, 1/3 H.P., 125/250 VAC</b>										
540-E79-00A	E79-00A	F	.187 Q.C.	Button	680g	0.720±0.821				
540-E79-30A	E79-30A	F	.187 Q.C.	Button	757g	0.610±0.710				
540-E79-40A	E79-40A	F	.187 Q.C.	Button	680g	0.300±0.400				
540-F79-30A	F79-30A	F	.187 x .032 Q.C.	Button	757g	0.610±0.710				

## CHERRY GP SERIES: HEAVY DUTY SNAP ACTION SWITCHES

**Features:**

- Ultra-small travel differential
- Mechanical life tested to 1 million cycles
- Current switching to 20 amps

- Wide variety of actuators
- Screw or solder terminals standard
- Low operate forces available



Two versions are available. Replace ( ) with: 1 U.S. version mounting holes, 0.140 or 0 Metric version mounting holes, 4.4

For quantities greater than 500, call for quote.

MOUSER STOCK NO.	Cherry Part No.	Fig.	Terminal Type	Actuator Length (in.)	Actuator Style	Operating Force (oz.)	Operating Position (in.)	Price Each			
								1	50	100	250
<b>15A, 125 VAC / 250 VAC</b>											
540-GPTCLR_1	GPTCLR_1	G	Screw	1.953	Lever	5.3 max.	.653/.717				
540-GPTCRR_1	GPTCRR_1	H	Screw	1.811	Lever/Roller	5.3 max.	1.094/1.158				
540-GPTCNA_1	GPTCNA_1	I	Screw	-----	Button	5.3 max.	.160/.642				
540-GPTCND_1	GPTCND_1	J	Screw	-----	Tall overtravel button	12.3	1.09/1.13				
540-GPSCNC_1	GPSCNC_1	K	Solder	-----	Short overtravel button	12.3	.827/.867				
540-GPTCNC_1	GPTCNC_1	K	Screw	-----	Short overtravel button	12.3	.827/.867				
540-GPTCNH_1	GPTCNH_1	L	Screw	-----	Panel mount plunger	12.3	.826/.890				
540-GPTCRH_1	GPTCRH_1	M	Screw	-----	Panel mount roller plunger	12.3	1.240/1.320				
540-GPSCRH_2	GPSCRH_2	N	Solder	-----	Panel mount roller plunger	12.3	1.240/1.320				
540-GPTCRH_2	GPTCRH_2	N	Screw	-----	Panel mount roller plunger	12.3	1.240/1.320				
540-GPTCLS_1	GPTCLS_1	O	Screw	2.5	Lever	2.4	.716/.780				
540-GPTCLS_2	GPTCLS_2	O	Screw	1.65	Lever	3.1	.716/.780				
540-GPTCRS_1	GPTCRS_1	P	Screw	1.91	Lever/Roller	3.5	1.157/1.221				
540-GPSCRM_1	GPSCRM_1	Q	Solder	1.05	Lever/Roller	5.6	1.173/1.205				
540-GPTCRM_1	GPTCRM_1	Q	Screw	1.05	Lever/Roller	5.6	1.173/1.205				
540-GPTCRG_1	GPTCRG_1	R	Screw	1.05	One-way roller	5.9	1.59/1.658				
<b>20A, 125 VAC / 250 VAC</b>											
540-GPTBLR_1	GPTBLR_1	G	Screw	1.953	Lever	5.3 max.	.653/.717				
540-GPTBNA_1	GPTBNA_1	I	Screw	-----	Button	5.3 max.	.160/.642				
540-GPTBND_1	GPTBND_1	J	Screw	-----	Tall overtravel button	12.3	1.09/1.13				
540-GPTBNC_1	GPTBNC_1	K	Screw	-----	Short overtravel button	12.3	.827/.867				
540-GPTBNH_1	GPTBNH_1	L	Screw	-----	Panel mount plunger	12.3	.826/.890				
540-GPTBRH_1	GPTBRH_1	N	Screw	-----	Panel mount roller plunger	12.3	1.240/1.320				
540-GPTBRM_1	GPTBRM_1	Q	Screw	1.05	Lever/Roller	5.6	1.173/1.205				



Snap Action Switches Cherry