

CHERRY Snap Action Switches



CHERRY E SERIES: SUBMINIATURE SNAP ACTION SWITCHES

Specifications:

- Package Size (In.) .781L x .250W x .352H

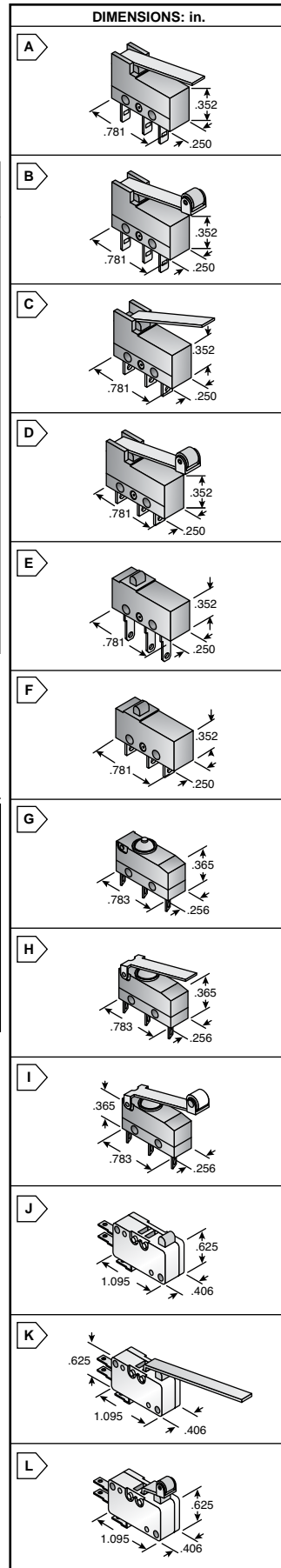
Typical Applications:

- Amusement Machines
- Appliances



For quantities greater than 500, call for quote.

MOUSER STOCK NO.	Cherry Part No.	Fig.	Terminal Type	Actuator Length: in.	Actuator Style	Operating Force	Operating Position: in.	Price Each			
								1	50	100	250
0.1A, 125 VAC											
540-E63-00H	E63-00H	A	.093 Q.C.	0.271	Straight	27g	0.350±0.030				
540-E63-00K	E63-00K	B	.093 Q.C.	0.201	Roller	30g	0.570±0.030				
540-E63-10H	E63-10H	C	.143 Short Solder	0.271	Straight	27g	0.350±0.030				
540-E63-10K	E63-10K	D	.143 Short Solder	0.201	Roller	30g	0.570±0.030				
540-E63-30K	E63-30K	B	.110 Q.C.	0.201	Roller	30g	0.570±0.030				
5A, 125/250 VAC											
540-E61-00A	E61-00A	E	.093 Q.C.	-----	Button	90g	0.330±0.015				
540-E61-00H	E61-00H	A	.093 Q.C.	0.271	Straight	27g	0.350±0.030				
540-E61-00K	E61-00K	B	.093 Q.C.	0.201	Roller	30g	0.570±0.030				
540-E61-10A	E61-10A	F	.143 Short Solder	-----	Button	90g	0.330±0.015				
540-E61-10H	E61-10H	C	.143 Short Solder	0.271	Straight	27g	0.350±0.030				
540-E61-10K	E61-10K	D	.143 Short Solder	0.201	Roller	30g	0.570±0.030				
540-E61-30A	E61-30A	E	.110 Q.C.	-----	Button	90g	0.330±0.015				
540-E61-30K	E61-30K	B	.110 Q.C.	0.201	Roller	27g	0.350±0.030				
540-E61-60H	E61-60H	C	.143 Short Solder	0.396	Straight HR	9g	0.350±0.175				
10.1A, 125/250 VAC											
540-E62-00A	E62-00A	E	.093 Q.C.	-----	Button	212g	0.330±0.015				
540-E62-00H	E62-00H	A	.093 Q.C.	0.271	Straight	59g	0.350±0.030				
540-E62-00K	E62-00K	B	.093 Q.C.	0.201	Roller	65g	0.570±0.030				
540-E62-10A	E62-10A	F	.143 Short Solder	-----	Button	212g	0.330±0.015				
540-E62-10H	E62-10H	C	.143 Short Solder	0.271	Straight	56g	0.350±0.030				
540-E62-30A	E62-30A	E	.110 Q.C.	-----	Button	212g	0.330±0.015				
540-E62-30K	E62-30K	B	.110 Q.C.	0.201	Roller	65g	0.570±0.030				
540-E62-50K	E62-50K	B	.093 Q.C.	0.326	Roller HR	33g	0.570±0.158				
540-E62-60H	E62-60H	C	.143 Short Solder	0.396	Straight HR	20g	0.350±0.175				



CHERRY DC SERIES: SEALED SNAP ACTION SWITCHES

Specifications:

- Package Size (In.) .783L x .256W x .365H

Typical Applications:

- Automotive
- Lawn and Garden
- Power Tools



For quantities greater than 500, call for quote.

MOUSER STOCK NO.	Cherry Part No.	Fig.	Terminal Type	Actuator Length: in.	Actuator Style	Operating Force	Operating Position: in.	Price Each			
								1	50	100	250
UL 0.1A, 125 VAC ENEC 0.1A, 250 VAC											
540-DC3C-A1AA	DC3C-A1AA	G	.110 Short Solder	-----	Button	200g	.331±.012				
540-DC3C-A1LB	DC3C-A1LB	H	.110 Short Solder	0.189	Straight	80g	.331±.012				
UL 5.0A, 125-250 VAC, ENEC 6 A, 250 VAC											
540-DC1C-A1AA	DC1C-A1AA	G	.110 Short Solder	-----	Button	200g	.331±.012				
540-DC1C-A1LB	DC1C-A1LB	H	.110 Short Solder	0.189	Straight	200g	.331±.012				
540-DC1C-A1RB	DC1C-A1RB	I	.110 Short Solder	0.098	Roller	200g	.331±.012				
10.1A, 125-250 VAC, ENEC 0.1A, 250 VAC											
540-DC2C-A1AA	DC2C-A1AA	G	.110 Short Solder	-----	Button	340g	.331±.012				
540-DC2C-A1LB	DC2C-A1LB	H	.110 Short Solder	0.189	Straight	150g	.331±.012				

CHERRY D4 SERIES: MINIATURE SNAP ACTION SWITCHES

Specifications:

- Package Size (In.) 1.095L x .406W x .625H

Typical Applications:

- Appliances
- Office Equipment
- Vending Machines
- Microwave Ovens



For quantities greater than 500, call for quote.

MOUSER STOCK NO.	Cherry Part No.	Fig.	Terminal Type	Actuator Length: in.	Actuator Style	Operating Force	Operating Position: in.	Price Each			
								1	50	100	250
0.1A, 125/250 VAC											
540-D41C-R1AA	D41C-R1AA	J	.187 Q.C.	-----	Button	75g	.558-.598				
540-D41C-R1LD	D41C-R1LD	K	.187 Q.C.	1.4	Straight	40g	.555-.645				
3A, 125/250 VAC											
540-D42L-R1XL	D42L-R1XL	K	.187 Q.C.	2.757	Straight	2g	.425-.775				
5A, 1/4 HP 125/250 VAC											
540-D43C-R1RA	D43C-R1RA	L	.187 Q.C.	0.81	Roller	170g	.776-.836				
540-D43L-R1ML	D43L-R1ML	K	.187 Q.C.	2.932	Straight	6g	.442-.775				
10A, 1/2 HP 125/250 VAC											
540-D44C-R1AA	D44C-R1AA	J	.187 Q.C.	-----	Button	285g	.558-.598				
540-D44C-R1RA	D44C-R1RA	L	.187 Q.C.	0.81	Roller	285g	.776-.836				
540-D44L-R1AA	D44L-R1AA	J	.187 Q.C.	-----	Button	75g	.558-.598				
540-D44L-R1LD	D44L-R1LD	K	.187 Q.C.	1.4	Straight	37g	.555-.645				
540-D44L-R1ML	D44L-R1ML	K	.187 Q.C.	2.932	Straight	10g	.425-.775				
540-D44L-R1RA	D44L-R1RA	L	.187 Q.C.	0.81	Roller	75g	.776-.836				
15A, 1/2 HP 125/250 VAC											
540-D45C-R1AA	D45C-R1AA	J	.187 Q.C.	-----	Button	400g	.558-.598				
540-D45L-R1AA	D45L-R1AA	J	.187 Q.C.	-----	Button	100g	.558-.598				