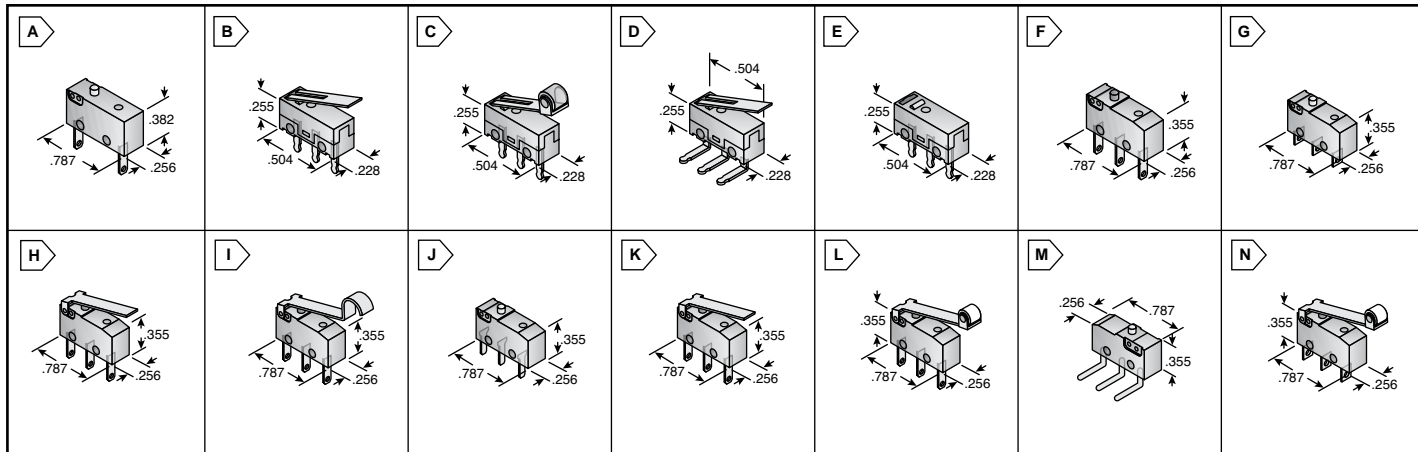


CHERRY Snap Action Switches



CHERRY DZ SERIES: SUBMINIATURE SWITCH WITH POSITIVE BREAK ACTION

Specifications:

- Switching high inductive loads 3 (3) A 250 V ~ 5E4
- Approved according to ENEC and UL

Typical Applications:

- Electrical drives for sun-blinds, adjustable beds, armchairs, doors, gates
- Auxiliary switches for medium-voltage systems
- Limit switches



RoHS Compliant

For quantities greater than 500, call for quote.

MOUSER STOCK NO.	Cherry Part No.	Fig.	Terminal Type	Actuator Length: in.	Actuator Style	Operating Force	Operating Position: in.	Price Each			
								1	50	100	250
540-DZ1F-B1BA	DZ1F-B1BA	A	.100 QC	----	Button	220 cN max.	8.4 +0.3/-0.2				

CHERRY DG SERIES: SUB-SUBMINIATURE SNAP ACTION SWITCHES

Specifications:

- Package Size (In.) .504L x .228W x .255H

Typical Applications:

- Automotive
- Computer
- Medical Equipment



RoHS Compliant

For quantities greater than 500, call for quote.

MOUSER STOCK NO.	Cherry Part No.	Fig.	Terminal Type	Actuator Length: in.	Actuator Style	Operating Force	Operating Position: in.	Price Each			
								1	50	100	250
50mA 30 VDC											
540-DG23-B1LA	DG23-B1LA	B	Insertion Molded	0.169	Straight	140	.268+.031/-.016				
540-DG23-B1RA	DG23-B1RA	C	Insertion Molded	0.075	Roller	140	.488±.020				
540-DG23-B3LA	DG23-B3LA	D	Insertion Molded Left	0.169	Straight	140	.268+.031/-.016				
3A 125 VAC, 2A 30 VDC											
540-DG13-B1AA	DG13-B1AA	E	Insertion Molded	----	Button	140	.213±.008				
540-DG13-B1LA	DG13-B1LA	B	Insertion Molded	0.169	Straight	140	.268+.031/-.016				
540-DG13-B1RA	DG13-B1RA	C	Insertion Molded	0.075	Roller	140	.488±.020				

CHERRY DB SERIES: SUBMINIATURE SNAP ACTION SWITCHES

Specifications:

- Package Size (In.) .787L x .256W x .355H
- DBxA: NO
- DBxB: NC
- DBxC: DT

Typical Applications:

- Amusement Machines
- Industrial Controls



RoHS Compliant

For quantities greater than 500, call for quote.

MOUSER STOCK NO.	Cherry Part No.	Fig.	Terminal Type	Actuator Length: in.	Actuator Style	Operating Force	Operating Position: in.	Price Each			
								1	50	100	250
UL 0.1A, 125-250 VAC; VDE 100mA, 250V											
540-DB3C-B1AA	DB3C-B1AA	F	.110 x 0.20 QC	----	Button	150g	.330±.012				
540-DB3C-A1AA	DB3C-A1AA	G	.110 Short Solder	----	Button	150g	.330±.012				
540-DB3C-B1LB	DB3C-B1LB	H	.110 x 0.20 QC	0.189	Lever SR	60g	.421±.051				
540-DB3C-B1SC	DB3C-B1SC	I	.110 x 0.20 QC	0.185	Strght w/Sim. Roller SR	55g	.646±.059				
540-DB3C-C1AA	DB3C-C1AA	J	.051 x 0.20 PCB	----	Button	150g	.330±.012				
UL 5.0A, 125-250 VAC; VDE 6A, 250V											
540-DB1C-A1AA	DB1C-A1AA	G	.110 Short Solder	----	Button	150g	.330±.012				
540-DB1A-C1AA	DB1A-C1AA	---	.051 x 0.20 PCBNC	----	Button	150g	.330±.012				
540-DB1C-A1LB	DB1C-A1LB	K	.110 Short Solder	0.189	Lever SR	60g	.421±.051				
540-DB1C-B1AA	DB1C-B1AA	F	.110 x 0.20 QC	----	Button	150g	.330±.012				
540-DB1C-B1RC	DB1C-B1RC	L	.110 x 0.20 QC	0.185	Roller SR	55g	.638±.059				
540-DB1C-C1AA	DB1C-C1AA	J	.051 x 0.20 PCB	----	Button	150g	.330±.012				
540-DB1C-D1AA	DB1C-D1AA	J	.024 x 0.20 PCB	----	Button	150g	.330±.012				
540-DB1C-D5AA	DB1C-D5AA	M	.024 x 0.20 PCB	----	Button	150g	.330±.012				
UL 10.1A, 125-250 VAC 1/4 HP, 125 VAC; VDE 10 (1.5) A, 250V											
540-DB2C-A1RC	DB2C-A1RC	N	.110 Short Solder	0.185	Roller SR	95g	.638±.071				
540-DB2C-B1AA	DB2C-B1AA	F	.110 x 0.20 QC	----	Button	250g	.330±.012				
540-DB2C-B1RC	DB2C-B1RC	L	.110 x 0.20 QC	0.185	Roller SR	95g	.638±.071				
540-DB2C-C1AA	DB2C-C1AA	J	.051 x 0.20 PCB	----	Button	250g	.330±.012				