

MOLEX Eurostyle Terminal Blocks

molex
one company a world of innovation

RoHS Compliant **This product is RoHS compliant.**

5.0MM EUROSTYLE ESE PLUGGABLE TERMINAL BLOCKS

Features:

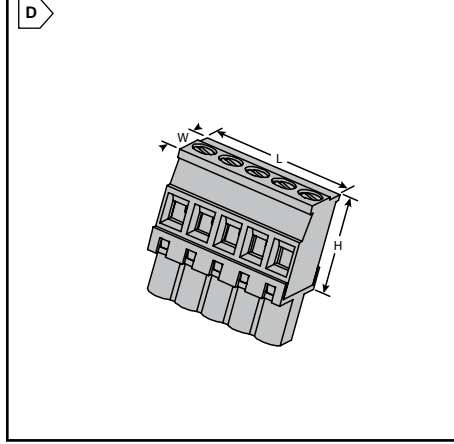
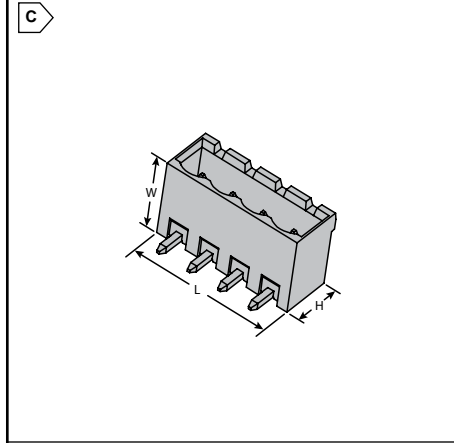
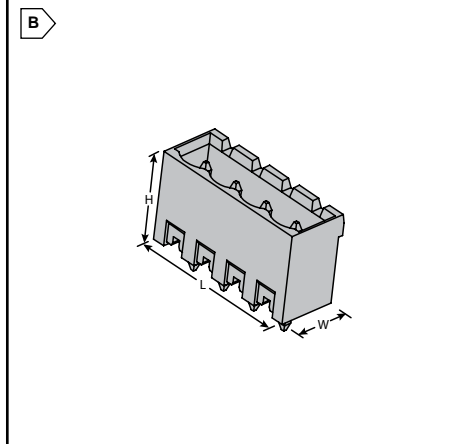
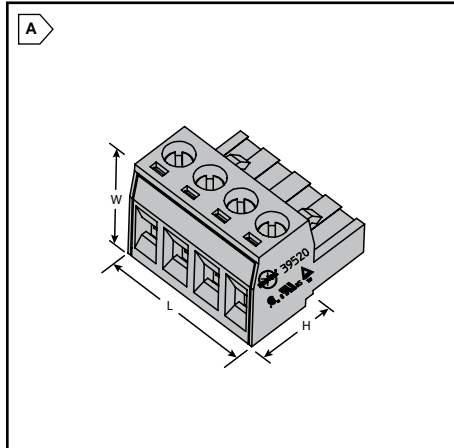
- Insulator: Polyamide UL94V-0, Black
- Contact plating: Tin
- Current: 15Amps 300Volts
- Wire Range: 12-26AWG
- Operating Temperature: -40°C to +105°F
- Termination: Screw rising cage clamp



RoHS Compliant

For quantities of 200 and up, call for quote.

MOUSER STOCK NO.	Molex Part No.	Fig.	No. of Circuits	Dimensions: mm			Price Each			
				H	W	L	1	25	50	100
Pluggable Terminal Blocks - Horizontal										
538-39520-0002	39520-0002	A	2	9.90	15.00	10.00				
538-39520-0003	39520-0003	A	3	9.90	15.00	15.00				
538-39520-0004	39520-0004	A	4	9.90	15.00	20.00				
538-39520-0005	39520-0005	A	5	9.90	15.00	25.00				
538-39520-0006	39520-0006	A	6	9.90	15.00	30.00				
538-39520-0007	39520-0007	A	7	9.90	15.00	35.00				
538-39520-0008	39520-0008	A	8	9.90	15.00	40.00				
538-39520-0009	39520-0009	A	9	9.90	15.00	45.00				
538-39520-0010	39520-0010	A	10	9.90	15.00	50.00				
538-39520-0012	39520-0012	A	12	9.90	15.00	60.00				
PCB Headers - Vertical - Closed Ends										
538-39521-1002	39521-1002	B	2	12.00	8.30	12.00				
538-39521-1003	39521-1003	B	3	12.00	8.30	17.00				
538-39521-1004	39521-1004	B	4	12.00	8.30	22.00				
538-39521-1005	39521-1005	B	5	12.00	8.30	27.00				
538-39521-1006	39521-1006	B	6	12.00	8.30	32.00				
538-39521-1007	39521-1007	B	7	12.00	8.30	37.00				
538-39521-1008	39521-1008	B	8	12.00	8.30	42.00				
538-39521-1009	39521-1009	B	9	12.00	8.30	47.00				
538-39521-1010	39521-1010	B	10	12.00	8.30	52.00				
538-39521-1012	39521-1012	B	12	12.00	8.30	62.00				
PCB Headers - Horizontal - Closed Ends										
538-39522-1002	39522-1002	C	2	8.30	12.00	12.00				
538-39522-1003	39522-1003	C	3	8.30	12.00	17.00				
538-39522-1004	39522-1004	C	4	8.30	12.00	22.00				
538-39522-1005	39522-1005	C	5	8.30	12.00	27.00				
538-39522-1006	39522-1006	C	6	8.30	12.00	32.00				
538-39522-1007	39522-1007	C	7	8.30	12.00	37.00				
538-39522-1008	39522-1008	C	8	8.30	12.00	42.00				
538-39522-1009	39522-1009	C	9	8.30	12.00	47.00				
538-39522-1010	39522-1010	C	10	8.30	12.00	52.00				
538-39522-1012	39522-1012	C	12	8.30	12.00	62.00				



Terminal Blocks

Molex

5.08MM EUROSTYLE ESE PLUGGABLE TERMINAL BLOCKS

Features:

- Insulator: Polyamide UL94V-0, Black
- Contact plating: Tin
- Current: 15Amps 300Volts
- Wire Range: 12-26AWG
- Operating Temperature: -40°C to +105°F
- Termination: Screw rising cage clamp
- Polarization
- Pitch: 5.08mm
- RoHS compliant per Molex documentation



RoHS Compliant

For quantities of 200 and up, call for quote.

MOUSER STOCK NO.	Molex Part No.	Fig.	No. of Circuits	Dimensions: mm			Price Each			
				H	W	L	1	25	50	100
Pluggable Terminal Blocks - Vertical										
538-39533-2002	39533-2002	D	2	17.60	12.70	10.16				
538-39533-2003	39533-2003	D	3	17.60	12.70	15.24				
538-39533-2004	39533-2004	D	4	17.60	12.70	20.32				
538-39533-2005	39533-2005	D	5	17.60	12.70	25.40				
538-39533-2006	39533-2006	D	6	17.60	12.70	30.48				
538-39533-2008	39533-2008	D	8	17.60	12.70	40.64				
538-39533-2010	39533-2010	D	10	17.60	12.70	50.80				
Pluggable Terminal Blocks - Horizontal										
538-39530-0002	39530-0002	A	2	9.90	15.00	10.16				
538-39530-0003	39530-0003	A	3	9.90	15.00	15.24				
538-39530-0004	39530-0004	A	4	9.90	15.00	20.32				
538-39530-0005	39530-0005	A	5	9.90	15.00	25.40				
538-39530-0006	39530-0006	A	6	9.90	15.00	30.48				
538-39530-0008	39530-0008	A	8	9.90	15.00	40.64				
538-39530-0010	39530-0010	A	10	9.90	15.00	50.80				
538-39530-0012	39530-0012	A	12	9.90	15.00	60.96				
PCB Headers - Vertical - Closed Ends										
538-39531-1002	39531-1002	B	2	12.00	8.30	12.16				
538-39531-1003	39531-1003	B	3	12.00	8.30	17.24				
538-39531-1004	39531-1004	B	4	12.00	8.30	22.32				
538-39531-1005	39531-1005	B	5	12.00	8.30	27.40				
538-39531-1006	39531-1006	B	6	12.00	8.30	32.48				
538-39531-1008	39531-1008	B	8	12.00	8.30	42.64				
538-39531-1010	39531-1010	B	10	12.00	8.30	52.80				
538-39531-1012	39531-1012	B	12	12.00	8.30	62.96				
PCB Header - Horizontal - Closed Ends										
538-39532-1002	39532-1002	C	2	8.30	12.00	12.16				
538-39532-1003	39532-1003	C	3	8.30	12.00	17.24				
538-39532-1004	39532-1004	C	4	8.30	12.00	22.32				
538-39532-1005	39532-1005	C	5	8.30	12.00	27.40				
538-39532-1006	39532-1006	C	6	8.30	12.00	32.48				
538-39532-1008	39532-1008	C	8	8.30	12.00	42.64				
538-39532-1010	39532-1010	C	10	8.30	12.00	52.80				
538-39532-1012	39532-1012	C	12	8.30	12.00	62.96				