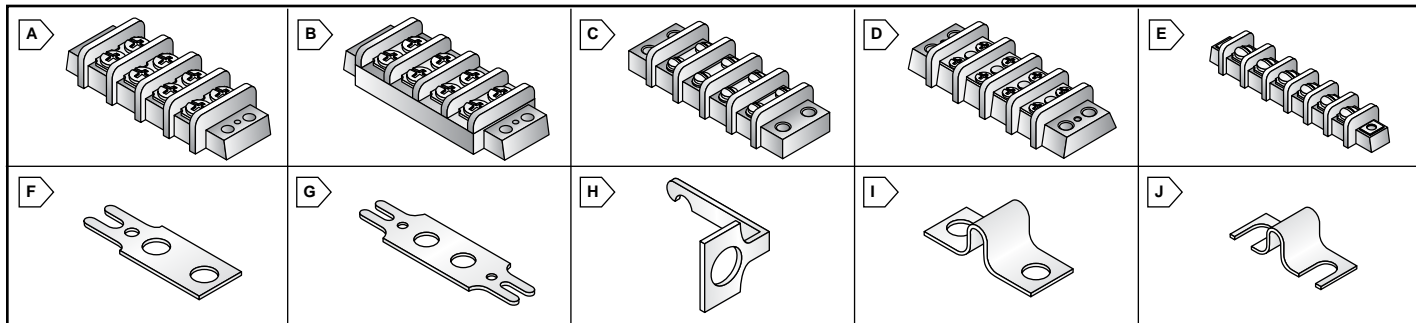


# MOLEX Barrier Terminal Blocks and Accessories

**mouser**  
one company > a world of innovation



## WIRE-TO-WIRE TERMINAL BLOCKS

Robust and durable they are ultrasonically welded into the thermoplastic insulator. The terminal can not be twisted or rotated even under excessive force. Closed bottom design allows for the terminal to be mounted directly on a sheet metal panel or placed over a panel cutout.

### Features:

- Wire to Wire
- 15 Amps
- Insulator: Thermoplastic, UL94V-0, black
- Terminals: Brass, nickel plated
- Screw: #6-32, phil/slot, steel, zinc chromate plated
- Screw Terminal Style
- 150 to 300 Volts

## .375" Double Row, Low Profile - Thermoplastic

For quantities of 200 and up, call for quote.

MOUSER STOCK NO.	Molex Part No.	Former Beau Part No.	Fig.	No. of Circuits	Price Each			
					1	25	50	100
538-38770-0102	38770-0102	77002	A	2				
538-38770-0103	38770-0103	77003	A	3				
538-38770-0104	38770-0104	77004	A	4				
538-38770-0105	38770-0105	77005	A	5				
538-38770-0106	38770-0106	77006	A	6				
538-38770-0107	38770-0107	77007	A	7				
538-38770-0108	38770-0108	77008	A	8				
538-38770-0110	38770-0110	77010	A	10				
538-38770-0112	38770-0112	77012	A	12				
538-38770-0114	38770-0114	77014	A	14				
538-38770-0116	38770-0116	77016	A	16				
538-38770-0120	38770-0120	77020	A	20				

## WIRE-TO-WIRE TERMINAL BLOCKS (CONT.)

### .688" Double Row - Phenolic

The series 28 phenolic terminal strip is our highest power double row rated 50 Amps @ 300 Volts and 150°C. The standard #10-32 screw is designed for years of rugged use. The product is compatible with 10 AWG bare or up to 6 AWG lugged wires.

- Screw: #10-32, phil/slot, brass, nickel plated
- Terminal: brass, nickel plated
- 50 Amps @ 300 Volts
- High temperature phenolic insulator

MOUSER STOCK NO.	Molex Part No.	Former Beau Part No.	Fig.	No. of Circuits	Price Each			
					1	25	50	100
538-38280-0102	38280-0102	28002	D	2				
538-38280-0103	38280-0103	28003	D	3				
538-38280-0104	38280-0104	28004	D	4				
538-38280-0105	38280-0105	28005	D	5				
538-38280-0106	38280-0106	28006	D	6				
538-38280-0108	38280-0108	28008	D	8				
538-38280-0110	38280-0110	28010	D	10				
538-38280-0112	38280-0112	28012	D	12				

## WIRE-TO-PCB TERMINAL BLOCKS - .375" PCB

### Features:

- Ultrasonically welded into the thermoplastic insulator, eliminating terminal twisting & associated solder joint failure
- PC Terminal Style
- Screw: #6-32, phil/slot, steel, zinc chromate plated
- 15 Amps
- 150 to 300 Volts



RoHS Compliant

### Single Row

\* no mounting ends

For quantities of 200 and up, call for quote.

538-38720-6202	38720-6202	72502	E	2				
538-38720-6203	38720-6203	72503	E	3				
538-38720-6204	38720-6204	72504	E	4				
538-38720-6205	38720-6205	72505	E	5				
538-38720-6206	38720-6206	72506	E	6				
538-38720-6208	38720-6208	72508	E	8				
538-38720-6210	38720-6210	72510	E	10				
538-38720-6212	38720-6212	72512	E	12				
*538-38720-6304	38720-6304	72504-C	E	4				
*538-38720-6305	38720-6305	72505-C	E	5				
*538-38720-6306	38720-6306	72506-C	E	6				

### Single Row, Insulated Solder Turret

For quantities of 200 and up, call for quote.

538-38720-3202	38720-3202	72202	E	2				
538-38720-3203	38720-3203	72203	E	3				
538-38720-3204	38720-3204	72204	E	4				
538-38720-3205	38720-3205	72205	E	5				
538-38720-3206	38720-3206	72206	E	6				
538-38720-3207	38720-3207	72207	E	7				
538-38720-3208	38720-3208	72208	E	8				
538-38720-3210	38720-3210	72210	E	10				
538-38720-3212	38720-3212	72212	E	12				

### Single Row, Insulated Quick Connect

For quantities of 200 and up, call for quote.

RoHS Compliant

538-38721-6702	38721-6702	72902	E	2				
538-38721-6703	38721-6703	72903	E	3				
538-38721-6704	38721-6704	72904	E	4				
538-38721-6706	38721-6706	72906	E	6				

## ACCESSORIES

### For Series 76000 and 77000 - (.375")

For quantities of 200 and up, call for quote.

MOUSER STOCK NO.	Molex Part No.	Former Beau Part No.	Fig.	Description	Price Each			
					1	25	50	100
538-38002-0204	38002-0204	141	F	One-sided solder terminal				
538-38002-0157	38002-0157	142	G	Two-sided solder terminal				
538-38002-0159	38002-0159	143	H	Short solder bottom terminal				
538-38002-1459	38002-1459	7631	I	Hole mount jumper (76000)				
538-38002-1461	38002-1461	7632	J	Slotted jumper (76000)				
538-38002-0185	38002-0185	1431	I	Hole mount jumper (77000)				
538-38002-0188	38002-0188	1432	J	Slotted jumper (77000)				

### For Series 78000 - (.438")

For quantities of 200 and up, call for quote.

538-38002-0255	38002-0255	182	G	Two-sided solder terminal				
538-38002-0257	38002-0257	183	H	Short solder bottom terminal				
538-38002-0331	38002-0331	1831	I	Hole mount jumper				
538-38002-0333	38002-0333	1832	J	Slotted jumper				

### For Series 21000 - (.563")

For quantities of 200 and up, call for quote.

538-38002-0321	38002-0321	211	F	One-sided solder terminal				
538-38002-0323	38002-0323	212	G	Two-sided solder terminal				
538-38002-0325	38002-0325	213	H	Short solder bottom terminal				
538-38002-0358	38002-0358	2131	I	Hole mount jumper				
538-38002-0442	38002-0442	2132	J	Slotted jumper				

## .375" Double Row - Thermoplastic

For quantities of 200 and up, call for quote.

RoHS Compliant

538-38760-0102	38760-0102	76002	A	2				
538-38760-0103	38760-0103	76003	A	3				
538-38760-0104	38760-0104	76004	A	4				
538-38760-0105	38760-0105	76005	A	5				
538-38760-0106	38760-0106	76006	A	6				
538-38760-0107	38760-0107	76007	A	7				
538-38760-0108	38760-0108	76008	A	8				
538-38760-0110	38760-0110	76010	A	10				
538-38760-0112	38760-0112	76012	A	12				

## .438" Double Row - Thermoplastic

### Features:

- Wire to Wire
- Insulator: Thermoplastic, UL94V-0, black
- Terminal: Brass, nickel plated
- Screw Terminal Style
- Screw: #6-32, phil/slot, steel, zinc chromate plated
- 15 Amps

RoHS Compliant

For quantities of 200 and up, call for quote.

538-38780-0102	38780-0102	78002	B	2				
538-38780-0103	38780-0103	78003	B	3				
538-38780-0104	38780-0104	78004	B	4				
538-38780-0105	38780-0105	78005	B	5				
538-38780-0106	38780-0106	78006	B	6				
538-38780-0107	38780-0107	78007	B	7				
538-38780-0108	38780-0108	78008	B	8				
538-38780-0110	38780-0110	78010	B	10				
538-38780-0112	38780-0112	78012	B	12				
538-38780-0114	38780-0114	78014	B	14				
538-38780-0116	38780-0116	78016	B	16				

## .563" Double Row - Phenolic

### Features:

- This series is for wire-to-wire terminations for 30 Amps @ 300 Volts and 150°C.
- Robust and durable #8-32 screw insures reliability and allows for 10 AWG wire without wire clamps.
- High temperature phenolic insulator out performs thermoplastic compounds.
- Closed bottom construction allows the product series to be PCB, bulkhead or panel mount.
- Insulator: General purpose phenolic
- Terminal: Brass, nickel plated
- Screw: #8-32, phil/slot, steel, zinc chromate plated
- Screw Terminal Style - Closed Bottom

RoHS Compliant

For quantities of 200 and up, call for quote.

538-38211-0102	38211-0102	21002-CB	C	2				
538-38211-0103	38211-0103	21003-CB	C	3				
538-38211-0104	38211-0104	21004-CB	C	4				
538-38211-0105	38211-0105	21005-CB	C	5				
538-38211-0106	38211-0106	21006-CB	C	6				
538-38211-0107	38211-0107	21007-CB	C	7				
538-38211-0108	38211-0108	21008-CB	C	8				
538-38211-0110	38211-0110	21010-CB	C	10				
538-38211-0112	38211-0112	21012-CB	C	12				