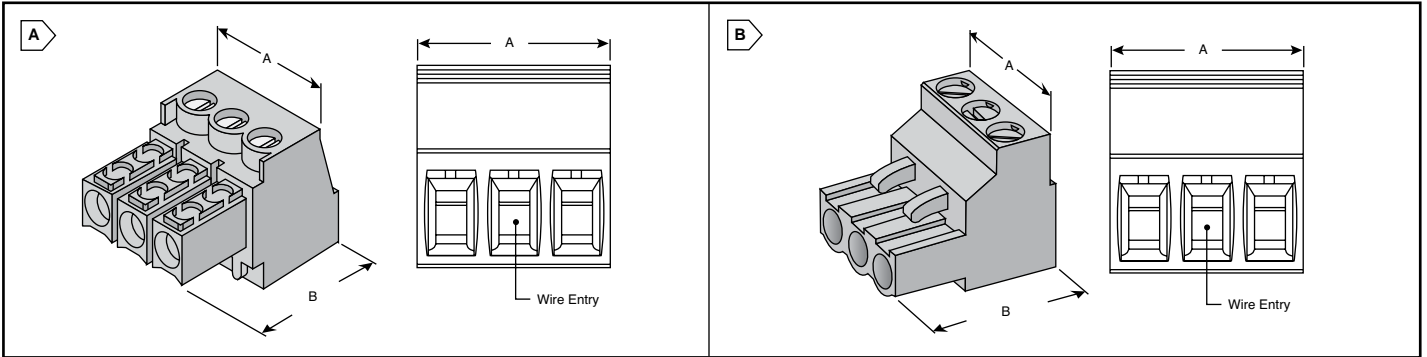


RoHS Compliant This product is RoHS compliant.

(3.5mm - 10.16mm)

Authorized Distributor



• Color: Green • Flammability Rating: UL94V-0 • Housing Material: Polyamide 6.6 • Contact Material: Phosphor Bronze • RoHS Compliant per Tyco Electronics documentation

**3.50MM PLUGS**

For quantities of 200 and up, call for quote.

MOUSER STOCK NO.	Tyco Electronics Part No.	Fig.	No. of Positions	Dimen: (In.)		Price Each				
				A	B	1	25	50	100	
<b>3.5mm Centerline - UL: 300V @ 11A, 30-14 AWG</b>										
571-2845062	284506-2	A	2	0.276	0.61					
571-2845063	284506-3	A	3	0.413	0.61					
571-2845064	284506-4	A	4	0.551	0.61					
571-2845065	284506-5	A	5	0.689	0.61					
571-2845066	284506-6	A	6	0.827	0.61					
571-2845067	284506-7	A	7	0.965	0.61					
571-2845068	284506-8	A	8	1.102	0.61					
571-12845060	1-284506-0	A	10	1.378	0.61					
571-12845062	1-284506-2	A	12	1.654	0.61					

**3.81MM PLUGS**

For quantities of 200 and up, call for quote.

MOUSER STOCK NO.	Tyco Electronics Part No.	Fig.	No. of Positions	Dimen: (In.)		Price Each				
				A	B	1	25	50	100	
<b>3.81mm Centerline - UL: 300V @ 11A, 30-14 AWG</b>										
571-2845072	284507-2	A	2	0.30	0.61					
571-284507-3	284507-3	A	3	0.45	0.61					
571-2845074	284507-4	A	4	0.60	0.61					
571-2845075	284507-5	A	5	0.75	0.61					
571-2845076	284507-6	A	6	0.90	0.61					
571-2845077	284507-7	A	7	1.05	0.61					
571-284507-8	284507-8	A	8	1.20	0.61					
571-12845070	1-284507-0	A	10	1.50	0.61					
571-12845072	1-284507-2	A	12	1.80	0.61					

**5.00MM PLUGS**

For quantities of 200 and up, call for quote.

MOUSER STOCK NO.	Tyco Electronics Part No.	Fig.	No. of Positions	Dimen: (In.)		Price Each				
				A	B	1	25	50	100	
<b>5.0mm Centerline - UL: 300V @ 15A, 30-12 AWG</b>										
571-7966402	796640-2	B	2	0.394	0.724					
571-7966403	796640-3	B	3	0.591	0.724					
571-7966404	796640-4	B	4	0.787	0.724					
571-7966405	796640-5	B	5	0.984	0.724					
571-7966406	796640-6	B	6	1.810	0.724					
571-7966407	796640-7	B	7	1.378	0.724					
571-7966408	796640-8	B	8	1.575	0.724					
571-17966400	1-796640-0	B	10	1.968	0.724					
571-17966402	1-796640-2	B	12	2.362	0.724					

**5.08MM PLUGS**

For quantities of 200 and up, call for quote.

MOUSER STOCK NO.	Tyco Electronics Part No.	Fig.	No. of Positions	Dimen: (In.)		Price Each				
				A	B	1	25	50	100	
<b>5.08mm Centerline - UL: 300V @ 11A, 30-12 AWG</b>										
571-7966342	796634-2	B	2	0.40	0.724					
571-7966343	796634-3	B	3	0.60	0.724					
571-7966344	796634-4	B	4	0.80	0.724					
571-7966345	796634-5	B	5	1.00	0.724					
571-7966346	796634-6	B	6	1.20	0.724					
571-7966347	796634-7	B	7	1.40	0.724					
571-7966348	796634-8	B	8	1.60	0.724					
571-1-796634-0	1-796634-0	B	10	2.00	0.724					
571-1-796634-2	1-796634-2	B	12	2.40	0.724					

**7.50MM PLUGS**

For quantities of 200 and up, call for quote.

MOUSER STOCK NO.	Tyco Electronics Part No.	Fig.	No. of Positions	Dimen: (In.)		Price Each				
				A	B	1	25	50	100	
<b>7.5mm Centerline - UL: 300V @ 15A, 30-12 AWG</b>										
571-2829592	282959-2	B	2	0.512	0.724					
571-2829593	282959-3	B	3	0.807	0.724					
571-2829594	282959-4	B	4	1.102	0.724					
571-2829595	282959-5	B	5	1.398	0.724					
571-2829596	282959-6	B	6	1.693	0.724					
571-2829597	282959-7	B	7	1.988	0.724					
571-2829598	282959-8	B	8	2.283	0.724					
571-12829590	1-282959-0	B	10	2.874	0.724					
571-12829592	1-282959-2	B	12	3.465	0.724					

**7.62MM PLUGS**

For quantities of 200 and up, call for quote.

MOUSER STOCK NO.	Tyco Electronics Part No.	Fig.	No. of Positions	Dimen: (In.)		Price Each				
				A	B	1	25	50	100	
<b>7.62mm Centerline - UL: 300V @ 15A, 30-12 AWG</b>										
571-7969812	796981-2	B	2	0.521	0.724					
571-7969813	796981-3	B	3	0.821	0.724					
571-7969814	796981-4	B	4	1.121	0.724					
571-7969815	796981-5	B	5	1.421	0.724					
571-7969816	796981-6	B	6	1.721	0.724					
571-7969817	796981-7	B	7	2.021	0.724					
571-7969818	796981-8	B	8	2.321	0.724					
571-17969810	1-796981-0	B	10	2.921	0.724					
571-17969812	1-796981-2	B	12	3.521	0.724					

**10.00MM PLUGS**

For quantities of 200 and up, call for quote.

MOUSER STOCK NO.	Tyco Electronics Part No.	Fig.	No. of Positions	Dimen: (In.)		Price Each				
				A	B	1	25	50	100	
<b>10.0mm Centerline - UL: 600V @ 15A, 30-12 AWG</b>										
571-2828082	282808-2	B	2	0.591	0.724					
571-2828083	282808-3	B	3	0.984	0.724					
571-2828084	282808-4	B	4	1.378	0.724					
571-2828085	282808-5	B	5	1.772	0.724					
571-2828086	282808-6	B	6	2.165	0.724					
571-2828087	282808-7	B	7	2.559	0.724					
571-2828088	282808-8	B	8	2.953	0.724					
571-12828080	1-282808-0	B	10	3.740	0.724					
571-12828082	1-282808-2	B	12	4.528	0.724					

**10.16MM PLUGS**

For quantities of 200 and up, call for quote.

MOUSER STOCK NO.	Tyco Electronics Part No.	Fig.	No. of Positions	Dimen: (In.)		Price Each				
				A	B	1	25	50	100	
<b>10.16mm Centerline - UL: 600V @ 15A, 30-12 AWG</b>										
571-2828092	282809-2	B	2	0.60	0.724					
571-2828093	282809-3	B	3	1.00	0.724					
571-2828094	282809-4	B	4	1.40	0.724					
571-2828095	282809-5	B	5	1.80	0.724					
571-2828096	282809-6	B	6	2.20	0.724					
571-2828097	282809-7	B	7	2.60	0.724					
571-2828098	282809-8	B	8	3.00	0.724					
571-12828090	1-282809-0	B	10	3.80	0.724					
571-12828092	1-282809-2	B	12	4.60	0.724					