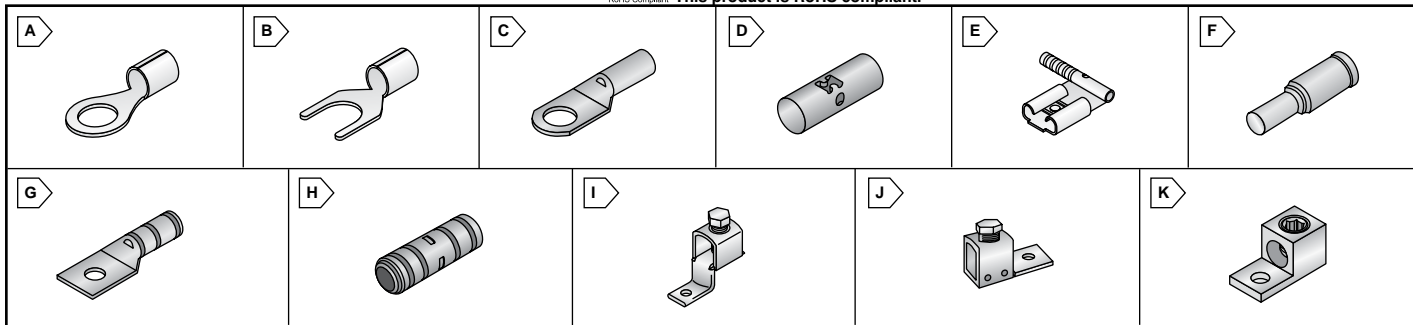


# PANDUIT Terminals, Power Connectors and Tools



RoHS Compliant This product is RoHS compliant.



## NON-INSULATED TERMINALS

### Rings

For quantities of 5000 and up, call for quote.

MOUSER STOCK NO.	Fig.	Wire Size	Stud Size	Price Each			
				1	100	500	1000
644-P18-4R-M	A	22-18	4				
644-P18-8R-M	A	22-18	8				
644-P18-10R-M	A	22-18	10				
644-P14-4R-M	A	16-14	4				
644-P14-6R-M	A	16-14	6				
644-P14-8R-M	A	16-14	8				
644-P10-6R-L	A	12-10	6				
644-P10-8R-L	A	12-10	8				
644-P10-14R-L	A	12-10	1/4				
644-P10-56R-L	A	12-10	5/16				

### Forks

For quantities of 5000 and up, call for quote.

MOUSER STOCK NO.	Fig.	Wire Size	Stud Size	Price Each			
				1	100	500	1000
644-P18-6F-M	B	22-18	6				
644-P18-6FN-M	B	22-18	6				
644-P18-8F-M	B	22-18	8				
644-P18-10F-M	B	22-18	10				
644-P18-14F-M	B	22-18	14				
644-P14-6F-M	B	16-14	6				
644-P14-6FN-M	B	16-14	6				
644-P14-8F-M	B	16-14	8				
644-P14-10F-M	B	16-14	10				
644-P14-14F-M	B	16-14	1/4				
644-P10-6F-L	B	12-10	6				
644-P10-8F-L	B	12-10	8				
644-P10-10F-L	B	12-10	10				
644-P10-14F-L	B	12-10	1/4				

### Tubular Rings

For quantities of 5000 and up, call for quote.

MOUSER STOCK NO.	Fig.	Wire Size	Stud Size	Price Each			
				1	100	500	1000
644-S6-10R-E	C	6	10				
644-S6-14R-E	C	6	1/4				
644-S6-56R-E	C	6	5/16				
644-S6-38R-E	C	6	3/8				
644-S2-10R-X	C	2 & 1	10				
644-S2-14R-X	C	2 & 1	1/4				
644-S2-56R-X	C	2 & 1	5/16				
644-S2-38R-X	C	2 & 1	3/8				

### Butt Splices

For quantities of 5000 and up, call for quote.

MOUSER STOCK NO.	Fig.	Wire Size	Stud Size	Price Each			
				1	100	500	1000
644-BS18-M	D	22-18	----				
644-BS14-M	D	16-14	----				

### Right Angle Female Disconnects (Sleeved Barrel)

For quantities of 5000 and up, call for quote.

MOUSER STOCK NO.	Fig.	Wire Size	Stud Size	Price Each			
				1	100	500	1000
644-DR18-250-M	E	22-18	.250 x .032				
644-DR14-250-M	E	16-14	.250 x .032				

### Right Angle Female Disconnects (Butted Seam)

For quantities of 5000 and up, call for quote.

MOUSER STOCK NO.	Fig.	Wire Size	Stud Size	Price Each			
				1	100	500	1000
644-DR18-250-M	E	22-18	.250 x .032				
644-DR14-250-M	E	16-14	.250 x .032				

## NYLON WIRE JOINTS - INSULATED

For quantities of 5000 and up, call for quote.

MOUSER STOCK NO.	Fig.	Wire Size	Length	Color Code	Price Each			
					1	100	500	1000
644-JN224-318-M	F	24-16	.79	Red				
644-JN218-216M	F	24-16	.78	Clear				

## POWER CONNECTORS

### Copper Compression Lugs and Splices



• Plating: Electro-Tin

For quantities of 1000 and up, call for quote.

MOUSER STOCK NO.	Fig.	Copper Conductor Size (AWG)	Wire Strip "L" (in.)	Die Color and No.	Stud Hole Size	Price Each			
						1	10	100	500
644-LCA8-10-L	G	8	5/8	Red P21	#10				
644-LCA8-14-L	G	8	5/8	Red P21	1/4"				
644-LCA6-10-L	G	6	7/8	Blue P24	#10				
644-LCA6-14-L	G	6	7/8	Blue P24	1/4"				
644-LCA6-56-L	G	6	7/8	Blue P24	5/16"				
644-LCA6-38-L	G	6	7/8	Blue P24	3/8"				
644-LCA4-14-L	G	4	7/8	Gray P29	1/4"				
644-LCA1-14-E	G	1	15/16	Green P37	1/4"				
644-LCA1/0-38-X	G	1/0	1.0	Pink P42	3/8"				
644-SCS8-L	H	8	11/16	Red P21	---				

### Controlled Cycle Crimping Tool

MOUSER STOCK NO.	Price Each
644-CT-1700	

### Hand Operated Plier Type Crimping Tool

MOUSER STOCK NO.	Price Each
644-CT-160	

## Mechanical Connectors

For quantities of 1000 and up, call for quote.

MOUSER STOCK NO.	Fig.	Cond. Size Range	Current Rating (Amps)	Stud Hole Size (in.)	Hex Key Size (in.)	Price Each			
						1	10	100	500
<b>Copper Lugs</b>									
644-CB175-38-QY	I	4-3/0	175	3/8	5/16				
644-CB35-36-CY	I	14-6	50	3/16	---				
644-CBA70-14-CY	I	14-4	70	1/4	---				
644-CX35-36-CY	J	14-6	50	3/16	---				
644-CX70-14-CY	J	14-4	70	1/4	---				
644-CX125-14-QY	J	4-1/0	125	1/4	---				
<b>Aluminum Lugs</b>									
644-LAMA6-14-QY	K	14-6	---	1/4	---				
644-LAMA2-14QY	K	14-2	---	1/4	---				
644-LAMA1/0-14-QY	K	14-1/0	---	1/4	---				
644-LAMA2/0-14-QY	K	14-2/0	---	1/4	---				
644-LAMA250-56-QY	K	6-250	---	5/16	3/8				

Stock No. Suffix Denotes Standard Package Quantity: X = 10, Q = 25, L = 50, C = 100, D = 500, M = 1000

## TERMINAL ACCESSORIES

KP-1075Y includes the following:

- 20 each; PV18-8R, PV18-6R, PV14-8R, PV14-810R
- 10 each; PV10-8R, PV10-810R, DNF14-250, DNF18-250, BSV18X, BSV14X, BSV10X
- 5 each; JN418-212

MOUSER STOCK NO.	Description	Price Each
644-KP-1075Y	Terminal kit without crimping tool, 155 pieces	
644-K-1100	Terminal kit box with CT-100 (terminals not included)	
644-CT100A	All purpose crimper/stripper tool	
644-CT-200	Non-insulated crimper tool	