

# AMP Terminals and Splices

RoHS Compliant This product is RoHS compliant.

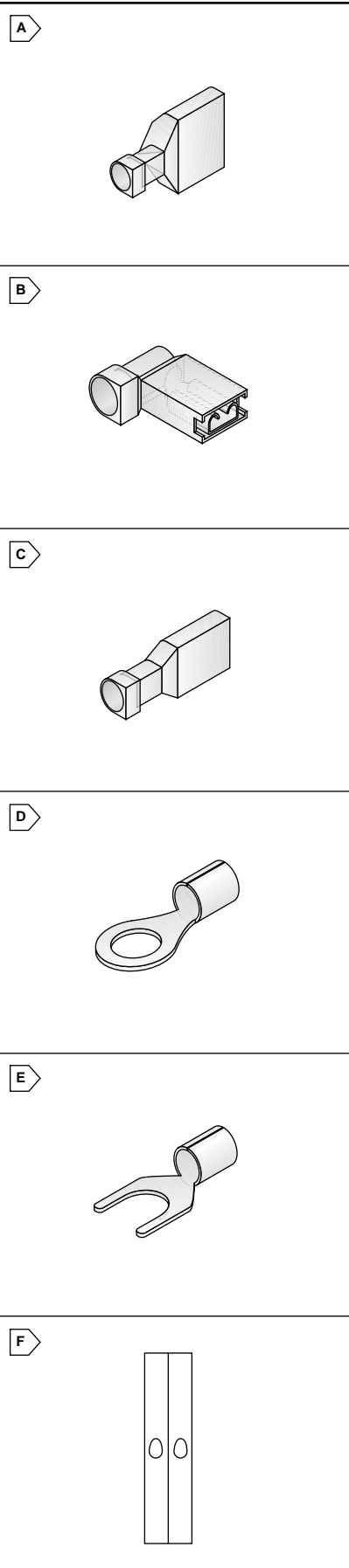
## ULTRA-FAST FULLY INSULATED FASTON RECEPTACLES AND TABS

- Tin-plated brass
- Flammability rating: UL94V-0
- Nylon insulation



For quantities of 5,000 and up, call for quote.

MOUSER STOCK NO.	AMP Part No.	Fig.	Color	Size (In.)	Wire Size (AWG)	Price Each			
						1	100	500	1000
<b>Fully Insulated FASTON Receptacles</b>						* Insulation Support			
571-25200842	2-520084-2	A	Red	.110/.125 x .020	22-18				
*571-2-520182-2	2-520182-2	A	Red	.187 x .020	22-18				
571-25204092	2-520409-2	A	Red	.187 x .020	22-18				
571-33508162	3-350816-2	A	Blue	.187 x .020	16-14				
571-2-520184-2	2-520184-2	A	Red	.250 x .032	22-18				
*571-2-520407-2	2-520407-2	A	Red	.250 x .032	22-18				
571-33508202	3-350820-2	A	Blue	.250 x .032	16-14				
*571-35204082	3-520408-2	A	Blue	.250 x .032	16-14				
<b>Fully Insulated FASTON Flag Receptacles</b>									
571-25203352	2-520335-2	B	Red	.187 x .020	22-18				
571-3-520339-2	3-520339-2	B	Blue	.187 x .020	16-14				
571-25201292	2-520129-2	B	Red	.250 x .032	22-18				
571-35201332	3-520133-2	B	Blue	.250 x .032	16-14				
<b>Fully Insulated FASTON Tabs</b>									
571-25201032	2-520103-2	C	Red	.250 x .032	22-18				
571-35201072	3-520107-2	C	Blue	.250 x .032	16-14				
571-25211032	2-521103-2	C	Red	.187 x .020	22-18				



### Tools for Ultra-Fast FASTON Terminals

For quantities greater than listed, call for quote.

MOUSER STOCK NO.	AMP Part No.	Description	Price Each
571-58078-3	58078-3	Crimping tool frame without dies	
571-903903	90390-3	22-18 awg die set	
571-903913	90391-3	16-14 awg die set	

### SOLISTRAND, UNINSULATED TERMINALS

Designed to terminate solid and stranded wire and irregular shaped conductors while retaining performance characteristics of single purpose terminals and splices.

- Tin-plated copper
- Temperature rating: 170°C
- Meet or exceed the requirements of MIL-T-7928, Type 1, Class 1 & 2



### Ring Tongue Terminals

For quantities of 5,000 and up, call for quote.

MOUSER STOCK NO.	AMP Part No.	Fig.	Stud Size	Wire Size (AWG)	Price Each			
					1	100	500	1000
571-34105	34105	D	#6	22-16				
571-34108	34108	D	#8	22-16				
571-34109	34109	D	#10	22-16				
571-34113	34113	D	1/4"	22-16				
571-34114	34114	D	5/16"	22-16				
571-34115	34115	D	3/8"	22-16				
571-34120	34120	D	#6	16-14				
571-34122	34122	D	#8	16-14				
571-34123	34123	D	#10	16-14				
571-34124	34124	D	1/4"	16-14				
571-34125	34125	D	5/16"	16-14				
571-34126	34126	D	3/8"	16-14				
571-35476	35476	D	#6	12-10				
571-32994	32994	D	#8	12-10				
571-33457	33457	D	#10	12-10				
571-33458	33458	D	1/4"	12-10				
571-33459	33459	D	5/16"	12-10				
571-33220	33220	D	3/8"	12-10				

### Spade Tongue Terminals

For quantities of 5,000 and up, call for quote.

MOUSER STOCK NO.	AMP Part No.	Fig.	Stud Size	Wire Size (AWG)	Price Each			
					1	100	500	1000
571-535551	53555-1	E	#2	22-16				
571-323127	323127	E	#6	22-16				
571-34117	34117	E	#8	22-16				
571-34118	34118	E	#10	22-16				
571-322451	322451	E	#6	12-10				
571-32995	32995	E	#8	12-10				

### Butt Splices

For quantities of 5,000 and up, call for quote.

MOUSER STOCK NO.	AMP Part No.	Fig.	Stud Size	Wire Size (AWG)	Price Each			
					1	100	500	1000
571-31818	31818	F	---	22-16				
571-31819	31819	F	---	16-14				
571-32151	32151	F	---	12-10				

AMP Terminals