

# MOLEX FFC / FPC 1.00mm Connectors

## 1.00MM (.039") PITCH FFC/FPC CONNECTORS

For 0.30mm thick FFC/FPC. Metal solder tabs provide PCB hold-down and strain relief for SMT tails. ZIF: Zero Insertion Force.

### Right Angle, SMT, ZIF - Top Contact Style

#### Specifications:

- Voltage: 125V
- Current: 1.0A
- Dielectric Withstanding Voltage: 500V AC/1 min.

- Housing: 4/6 Nylon, UL 94V-0
- Actuator: PPS, UL 94V-0
- Contact: Phosphor Bronze

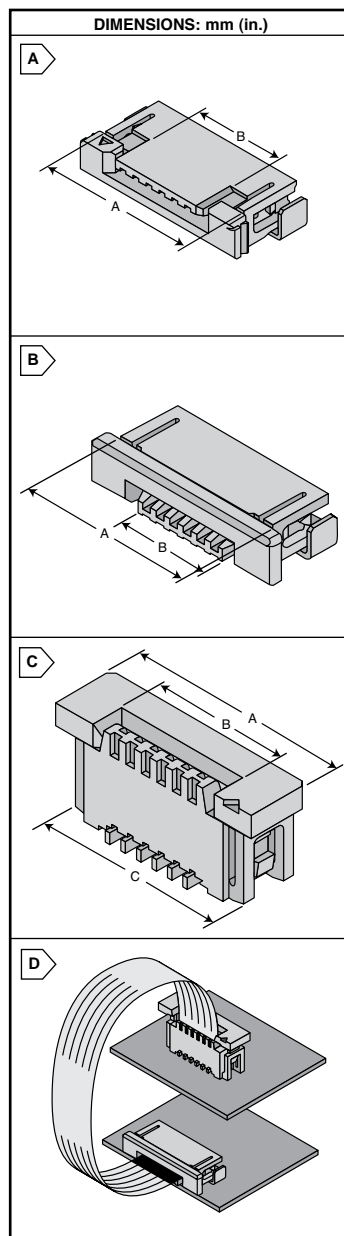
- Plating: Tin
- Solder Tabs: Copper Alloy, Tin plating
- Operating Temperature: -20 to +85°C



RoHS Compliant

For quantities of 500 or more, call for quote.

MOUSER STOCK NO.	Molex Part No.	Fig.	No. of Circuits	Dimensions: mm (in.)		Carrier Tape Width	Price Each			
				A	B		1	10	100	250
538-52207-0885	52207-0885	A	8	14.30 (.562)	7.00 (.275)	24.00 (.945)				
538-52207-1085	52207-1085	A	10	16.30 (.641)	9.00 (.354)	24.00 (.945)				
538-52207-1285	52207-1285	A	12	18.30 (.720)	11.00 (.433)	32.00 (1.260)				
538-52207-1485	52207-1485	A	14	20.30 (.799)	13.00 (.511)	32.00 (1.260)				
538-52207-1885	52207-1885	A	18	24.30 (.956)	17.00 (.669)	44.00 (1.732)				
538-52207-2085	52207-2085	A	20	26.30 (1.035)	19.00 (.748)	44.00 (1.732)				



### Right Angle, SMT, ZIF - Bottom Contact Style

#### Specifications:

- Voltage: 50V
- Current: 0.5A
- Dielectric Withstanding Voltage: 500V AC/1 min.

- Housing: 4/6 Nylon, UL 94V-0
- Actuator: PPS, UL 94V-0
- Contact: Phosphor Bronze

- Plating: Tin
- Solder Tabs: Copper Alloy, Tin plating
- Operating Temperature: -20 to +85°C



RoHS Compliant

For quantities of 500 or more, call for quote.

MOUSER STOCK NO.	Molex Part No.	Fig.	No. of Circuits	Dimensions: mm (in.)		Carrier Tape Width	Price Each			
				A	B		1	10	100	250
538-52271-0679	52271-0679	B	6	11.00 (.433)	5.00 (.197)	24.00 (.945)				
538-52271-0879	52271-0879	B	8	13.00 (.511)	7.00 (.275)	24.00 (.945)				
538-52271-1079	52271-1079	B	10	15.00 (.590)	9.00 (.354)	24.00 (.945)				
538-52271-1479	52271-1479	B	14	19.00 (.748)	13.00 (.511)	32.00 (1.260)				
538-52271-1879	52271-1879	B	18	23.00 (.905)	17.00 (.669)	44.00 (1.732)				
538-52271-2079	52271-2079	B	20	25.00 (.984)	19.00 (.748)	44.00 (1.732)				
538-52271-2279	52271-2279	B	22	27.00 (1.062)	21.00 (.827)	44.00 (1.732)				
538-52271-2479	52271-2479	B	24	29.00 (1.141)	23.00 (.906)	44.00 (1.732)				
538-52271-2879	52271-2879	B	28	33.00 (1.299)	27.00 (1.060)	56.00 (2.205)				
538-52271-3079	52271-3079	B	30	35.00 (1.377)	29.00 (1.140)	56.00 (2.205)				

### Vertical, SMT, ZIF

#### Specifications:

- Voltage: 125V
- Current: 1.0A
- Plating: Tin
- Dielectric Withstanding Voltage: 500V AC/1 min.
- Housing: 4/6 Nylon, UL 94V-0
- Operating Temperature: -20 to +85°C

- Actuator: PPS, UL 94V-0
- Contact: Phosphor Bronze



RoHS Compliant

For quantities of 500 or more, call for quote.

MOUSER STOCK NO.	Molex Part No.	Fig.	No. of Circuits	Dimensions: mm (in.)			Carrier Tape Width	Price Each			
				A	B	C		1	10	100	250
538-52610-0671	52610-0671	C	6	12.60 (.496)	5.00 (.197)	10.85 (.427)	24.00 (.945)				
538-52610-0871	52610-0871	C	8	14.60 (.575)	7.00 (.275)	12.85 (.506)	24.00 (.945)				
538-52610-1271	52610-1271	C	12	18.60 (.732)	11.00 (.433)	16.85 (.663)	32.00 (1.260)				
538-52610-1471	52610-1471	C	14	20.60 (.811)	13.00 (.511)	18.85 (.742)	32.00 (1.260)				
538-52610-1671	52610-1671	C	16	22.60 (.890)	15.00 (.591)	20.85 (.821)	44.00 (1.732)				
538-52610-1871	52610-1871	C	18	24.60 (.969)	17.00 (.669)	22.85 (.900)	44.00 (1.732)				
538-52610-2071	52610-2071	C	20	26.60 (1.047)	19.00 (.748)	24.85 (.978)	44.00 (1.732)				
538-52610-3071	52610-3071	C	30	36.60 (1.441)	29.00 (1.140)	34.85 (1.372)	56.00 (2.205)				

## PREMO-FLEX™ FLAT FLEX CABLE JUMPERS FOR 1.00MM (.039") CONNECTORS

These jumpers are used to connect 2 PC boards and terminate to either ZIF or Non-ZIF FFC Connectors. Mates with any 1.00mm (.039") Pitch FFC/FPC Connector. They are available with the contacting area on the same side (Type A) or the opposite side (Type D) to mirror signal layout between PC boards.

#### Specifications:

- Voltage: 30V
- Current: 1.2A
- Cable width: (No. of circuits + 1) x 1.00mm
- Exposed conductor length: 4mm with 8mm reinforcement
- Temperature: -40 to +80°C
- Conductor width: 0.70mm (.028")
- Conductor thickness: 0.10mm (.004")

For quantities of 500 or more, call for quote.

MOUSER STOCK NO.	Molex Part No.	Fig.	No. of Circuits	Type	Length in. (mm)	Price Each			
						1	10	100	250
538-21039-0732	21039-0732	D	5	D	6 (152.4)				
538-21039-0205	21039-0205	D	6	A	3 (76.2)				
538-21039-0211	21039-0211	D	6	A	6 (152.4)				
538-21039-0215	21039-0215	D	6	A	8 (203.2)				
538-21039-0221	21039-0221	D	6	A	12 (304.8)				
538-21039-0227	21039-0227	D	8	A	3 (76.2)				
538-21039-0230	21039-0230	D	8	D	4 (101.6)				
538-21039-0233	21039-0233	D	8	A	6 (152.4)				
538-21039-0238	21039-0238	D	8	D	8 (203.2)				
538-21039-0243	21039-0243	D	8	A	12 (304.8)				
538-21039-0247	21039-0247	D	10	A	2 (50.8)				
538-21039-0249	21039-0249	D	10	A	3 (76.2)				
538-21039-0252	21039-0252	D	10	D	4 (101.6)				
538-21039-0255	21039-0255	D	10	A	6 (152.4)				
538-21039-0257	21039-0257	D	10	A	7 (177.8)				
538-21039-0263	21039-0263	D	10	A	10 (254)				
538-21039-0265	21039-0265	D	10	A	12 (304.8)				
538-21039-0271	21039-0271	D	12	A	3 (76.2)				
538-21039-0277	21039-0277	D	12	A	6 (152.4)				
538-21039-0287	21039-0287	D	12	A	12 (304.8)				
538-21039-0293	21039-0293	D	14	A	3 (76.2)				
538-21039-0294	21039-0294	D	14	D	3 (76.2)				
538-21039-0297	21039-0297	D	14	A	5 (127)				
538-21039-0299	21039-0299	D	14	A	6 (152.4)				

For quantities of 500 or more, call for quote.

MOUSER STOCK NO.	Molex Part No.	Fig.	No. of Circuits	Type	Length in. (mm)	Price Each			
						1	10	100	250
538-21039-0305	21039-0305	D	14	A	9 (228.6)				
538-21039-0309	21039-0309	D	14	A	12 (304.8)				
538-21039-0842	21039-0842	D	15	D	6 (152.4)				
538-21039-0313	21039-0313	D	16	A	2 (50.8)				
538-21039-0315	21039-0315	D	16	A	3 (76.2)				
538-21039-0321	21039-0321	D	16	A	6 (152.4)				
538-21039-0335	21039-0335	D	18	A	2 (50.8)				
538-21039-0343	21039-0343	D	18	A	6 (152.4)				
538-21039-0347	21039-0347	D	18	A	8 (203.2)				
538-21039-0365	21039-0365	D	20	A	6 (152.4)				
538-21039-0366	21039-0366	D	20	D	6 (152.4)				
538-21039-0372	21039-0372	D	20	D	9 (228.6)				
538-21039-0375	21039-0375	D	20	A	12 (304.8)				
538-21039-0382	21039-0382	D	22	D	3 (76.2)				
538-21039-0406	21039-0406	D	24	D	4 (101.6)				
538-21039-0417	21039-0417	D	24	A	10 (254)				
538-21039-0447	21039-0447	D	28	A	3 (76.2)				
538-21039-0453	21039-0453	D	28	A	6 (152.4)				
538-21039-0469	21039-0469	D	30	A	3 (76.2)				
538-21039-0475	21039-0475	D	30	A	6 (152.4)				
538-21039-0476	21039-0476	D	30	D	6 (152.4)				
538-21039-0485	21039-0485	D	30	A	12 (304.8)				
538-21039-0586	21039-0586	D	40	D	6 (152.4)				