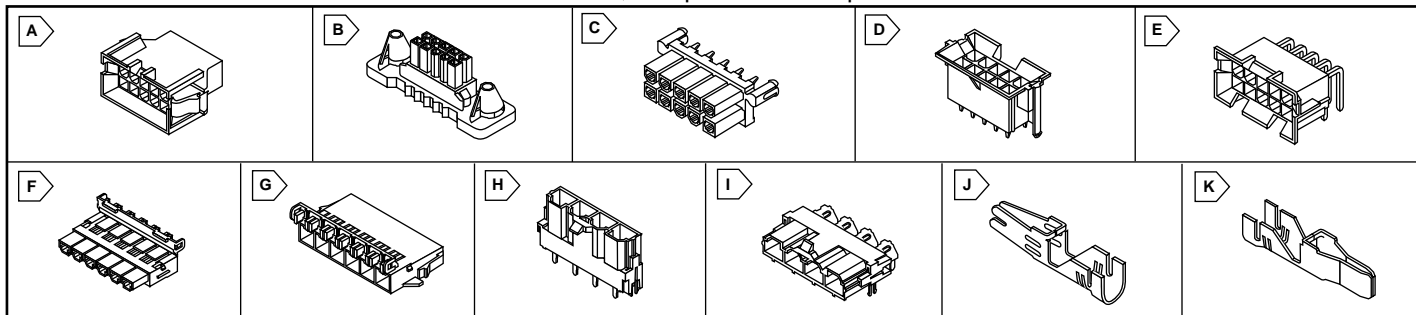


MOLEX Mini-Fit BMI™ and Mini-Fit Sr.™ Connectors

molex
one company > a world of innovation

RoHS Compliant This product is RoHS compliant.



MINI-FIT BMI™ (BLIND MATING SYSTEM) CONNECTORS

Features:

- Fully isolated terminals to protect contacts from damage
- Uses standard Mini-Fit series terminals on previous page
- Dual Row

Specifications:

- Housing: 6/6 Nylon
- 600V rating
- Temperature: -40 to +105°C
- Pitch: 4.20mm (.165")



Plugs - Dual Row

- RoHS Compliant per Molex documentation

For quantities of 1000 and up, call for quote.

MOUSER STOCK NO.	Molex Part No.	Fig.	No. of Circuits	Price Each			
				1	10	100	500
With Panel Mount Ears, UL94V-2, 42475 Series							
538-15-06-0045	15-06-0045	A	4				
538-15-06-0065	15-06-0065	A	6				
538-15-06-0085	15-06-0085	A	8				
538-15-06-0105	15-06-0105	A	10				
538-15-06-0145	15-06-0145	A	14				
538-15-06-0185	15-06-0185	A	18				
538-15-06-0245	15-06-0245	A	24				

Receptacles - Dual Row

- RoHS Compliant per Molex documentation

MOUSER STOCK NO.	Molex Part No.	Fig.	No. of Circuits	Price Each			
				1	10	100	500
With Panel Mount Ears, UL94V-2, 42474 Series							
538-15-06-0040	15-06-0040	B	4				
538-15-06-0060	15-06-0060	B	6				
538-15-06-0080	15-06-0080	B	8				
538-15-06-0100	15-06-0100	B	10				
538-15-06-0140	15-06-0140	B	14				
538-15-06-0180	15-06-0180	B	18				
538-15-06-0240	15-06-0240	B	24				
538-43760-0001	43760-0001	B	36				
With Panel Mount Ears, UL94V-0, 42474 Series							
538-15-06-0041	15-06-0041	B	4				
538-15-06-0061	15-06-0061	B	6				
538-15-06-0101	15-06-0101	B	10				
538-15-06-0141	15-06-0141	B	14				
538-15-06-0181	15-06-0181	B	18				
538-15-06-0241	15-06-0241	B	24				

Terminals

For quantities of 2000 and up, call for quote.

MOUSER STOCK NO.	Molex Part No.	Fig.	AWG	Price Each			
				1	100	500	1000
538-39-00-0096	39-00-0096	---	16				
538-39-00-0062	39-00-0062	---	18-24				

PCB HEADERS

For quantities of 1000 and up, call for quote.

MOUSER STOCK NO.	Molex Part No.	Fig.	No. of Circuits	Contact Plating	Price Each			
					1	10	100	500
Receptacle Headers, Vertical, UL94V-2, 42385 Series								
538-15-24-7040	15-24-7040	C	4	Tin				
538-15-24-7060	15-24-7060	C	6	Tin				
538-15-24-7100	15-24-7100	C	10	Tin				
538-15-24-7140	15-24-7140	C	14	Tin				
538-15-24-7180	15-24-7180	C	18	Tin				
538-15-24-7240	15-24-7240	C	24	Tin				
Receptacle Headers, Vertical, UL94V-0, 42385 Series								
538-15-24-7061	15-24-7061	C	6	Tin				
538-15-24-7101	15-24-7101	C	10	Tin				
538-15-24-7141	15-24-7141	C	14	Tin				
538-15-24-7241	15-24-7241	C	24	Tin				
Vertical Headers, UL94V-2, 42440 Series								
538-15-24-6066	15-24-6066	D	6	Tin				
538-15-24-6106	15-24-6106	D	10	Tin				
Vertical Headers, UL94V-0, 42440 Series								
538-15-24-6107	15-24-6107	D	10	Tin				
538-15-24-6147	15-24-6147	D	14	Tin				

PCB HEADERS (CONT.)

For quantities of 1000 and up, call for quote.

MOUSER STOCK NO.	Molex Part No.	Fig.	No. of Circuits	Contact Plating	Price Each			
					1	10	100	500
Right Angle Headers, UL94V-2, 42404 Series								
538-15-24-6040	15-24-6040	E	4	Tin				
538-15-24-6060	15-24-6060	E	6	Tin				
538-15-24-6140	15-24-6140	E	14	Tin				
538-15-24-6180	15-24-6180	E	18	Tin				
538-15-24-6240	15-24-6240	E	24	Tin				
Right Angle Headers, UL94V-0, 42404 Series								
538-15-24-9064	15-24-9064	E	6	Tin				
538-15-24-9104	15-24-9104	E	10	Tin				
538-15-24-9144	15-24-9144	E	14	Tin				
538-15-24-9244	15-24-9244	E	24	Tin				

MINI-FIT, SR.™ CONNECTORS - 10.00MM (.393") PITCH

Features:

- High Current
- Fully polarized
- Plating: Tin over Nickel
- Contact: Copper Alloy
- Positive Locks
- Single Row
- Receptacles/Plugs: Polyester, UL94V-0
- Low engagement force
- Headers: Glass-filled, 4/6 Nylon, UL94V-0
- Wire-to-wire, wire-to-board
- Voltage: 600V
- Temperature: -40 to +105°

Specifications:

For quantities of 1000 and up, call for quote.

MOUSER STOCK NO.	Molex Part No.	Fig.	No. of Circuits	Price Each			
				1	10	100	500
Receptacles, 42816 Series							
538-42816-0212	42816-0212	F	2				
538-42816-0312	42816-0312	F	3				
538-42816-0412	42816-0412	F	4				
538-42816-0512	42816-0512	F	5				
538-42816-0612	42816-0612	F	6				
Plugs, 42818 Series							
538-42818-0212	42818-0212	G	2				
538-42818-0312	42818-0312	G	3				
538-42818-0412	42818-0412	G	4				
538-42818-0512	42818-0512	G	5				
538-42818-0612	42818-0612	G	6				
Vertical Header with Metal Clip Mount, SMT, 42819 Series							
538-42819-2212	42819-2212	H	2				
538-42819-3212	42819-3212	H	3				
538-42819-4212	42819-4212	H	4				
538-42819-5212	42819-5212	H	5				
538-42819-6212	42819-6212	H	6				
Right Angle Header with Metal Clip Mount, SMT, 42820 Series							
538-42820-2212	42820-2212	I	2				
538-42820-3212	42820-3212	I	3				
538-42820-4212	42820-4212	I	4				
538-42820-5212	42820-5212	I	5				
538-42820-6212	42820-6212	I	6				

MINI-FIT, SR.™ TERMINALS

- High Current
- Low Engagement Force
- Female: four points of electrical contact

For quantities of 2000 and up, call for quote.

MOUSER STOCK NO.	Molex Part No.	Fig.	Wire Size AWG	Price Each			
				1	100	500	1000
Female, 42815 Series - Tin							
538-42815-0011	42815-0011	J	10-12				
538-42815-0031	42815-0031	J	8				
538-42815-0041	42815-0041	J	14-16				
Female - Select Gold							
538-42815-0012	42815-0012	J	10-12				
538-42815-0042	42815-0042	J	14-16				
Male, 42817 Series - Tin							
538-42817-0011	42817-0011	K	10-12				
538-42817-0031	42817-0031	K	8				
538-42817-0041	42817-0041	K	14-16				
Male - Select Gold							
538-42817-0012	42817-0012	K	10-12				
538-42817-0042	42817-0042	K	14-16				

TOOLS FOR MINI-FIT, SR.™

MOUSER STOCK NO.	Molex Part No.	Description	Price Each
538-63811-1500	63811-1500	Hand Crimp Tool 8 AWG	
538-63811-1600	63811-1600	Hand Crimp Tool 10-12 AWG	
538-63813-0400	63813-0400	Extraction Tool	
538-63811-3800	63811-3800	Hand Crimp Tool	