

MOLEX MICRO-FIT 3.0™ BMI Connectors

Products may be RoHS compliant.
Check mouser.com for RoHS status.

Specifications:

- Electrical: 250V
- Current: 5.0A
- Housing: UL94V-0
- Contact: Phosphor Bronze

Features:

- Innovative panel mounting design holds connectors firmly in place
- Fully isolated contacts prevent terminal damage
- Fully polarized to prevent mismatching

VERTICAL RECEPTACLE HEADER WITH FRICTION PEGS

Tin Plated

For quantities of 500 and up, call for quote.

MOUSER STOCK NO.	Molex Part No.	Fig.	No. of Circuits	Dimensions: mm		Price Each		
				A	B	1	10	100
538-44769-0401	44769-0401	A	4	12.00	3.00			
538-44769-0601	44769-0601	A	6	15.00	6.00			
538-44769-0801	44769-0801	A	8	18.00	9.00			
538-44769-1001	44769-1001	A	10	21.00	12.00			
538-44769-1201	44769-1201	A	12	24.00	15.00			
538-44769-1601	44769-1601	A	16	30.00	21.00			

Gold Plated

For quantities of 500 and up, call for quote.

MOUSER STOCK NO.	Molex Part No.	Fig.	No. of Circuits	Dimensions: mm		Price Each		
				A	B	1	10	100
538-44769-0402	44769-0402	A	4	12.00	3.00			
538-44769-0602	44769-0602	A	6	15.00	6.00			
538-44769-0802	44769-0802	A	8	18.00	9.00			
538-44769-1002	44769-1002	A	10	21.00	12.00			
538-44769-1202	44769-1202	A	12	24.00	15.00			
538-44769-1402	44769-1402	A	14	27.00	18.00			
538-44769-1602	44769-1602	A	16	30.00	21.00			

RIGHT-ANGLE RECEPTACLE HEADER WITH FRICTION PEGS



RoHS Compliant

Tin Plated

For quantities of 500 and up, call for quote.

MOUSER STOCK NO.	Molex Part No.	Fig.	No. of Circuits	Dimensions: mm		Price Each		
				A	B	1	10	100
538-44764-0401	44764-0401	B	4	6.70	3.00			
538-44764-0601	44764-0601	B	6	9.70	6.00			
538-44764-0801	44764-0801	B	8	12.70	9.00			
538-44764-1001	44764-1001	B	10	15.70	12.00			
538-44764-1201	44764-1201	B	12	18.70	15.00			
538-44764-1601	44764-1601	B	16	24.70	21.00			

Gold Plated

For quantities of 500 and up, call for quote.

MOUSER STOCK NO.	Molex Part No.	Fig.	No. of Circuits	Dimensions: mm		Price Each		
				A	B	1	10	100
538-44764-0402	44764-0402	B	4	6.70	3.00			
538-44764-0602	44764-0602	B	6	9.70	6.00			
538-44764-0802	44764-0802	B	8	12.70	9.00			
538-44764-1002	44764-1002	B	10	15.70	12.00			
538-44764-1202	44764-1202	B	12	18.70	15.00			
538-44764-1402	44764-1402	B	14	21.70	18.00			
538-44764-1602	44764-1602	B	16	24.70	21.00			

VERTICAL HEADER WITH POLARIZING PEGS



RoHS Compliant

• RoHS Compliant per Molex documentation

Tin Plated

For quantities of 500 and up, call for quote.

MOUSER STOCK NO.	Molex Part No.	Fig.	No. of Circuits	Dimensions: mm		Price Each		
				A	B	1	10	100
538-44432-0401	44432-0401	C	4	13.00	3.00			
538-44432-0601	44432-0601	C	6	16.00	6.00			
538-44432-0801	44432-0801	C	8	19.00	9.00			
538-44432-1001	44432-1001	C	10	22.00	12.00			
538-44432-1601	44432-1601	C	16	31.00	21.00			

Gold Plated

For quantities of 500 and up, call for quote.

MOUSER STOCK NO.	Molex Part No.	Fig.	No. of Circuits	Dimensions: mm		Price Each		
				A	B	1	10	100
538-44432-0402	44432-0402	C	4	13.00	3.00			
538-44432-0602	44432-0602	C	6	16.00	6.00			
538-44432-0802	44432-0802	C	8	19.00	9.00			
538-44432-1002	44432-1002	C	10	22.00	12.00			
538-44432-1202	44432-1202	C	12	25.00	15.00			
538-44432-1402	44432-1402	C	14	28.00	18.00			
538-44432-1602	44432-1602	C	16	31.00	21.00			

RIGHT-ANGLE HEADER WITH SNAP-IN PLASTIC PEG

Tin Plated

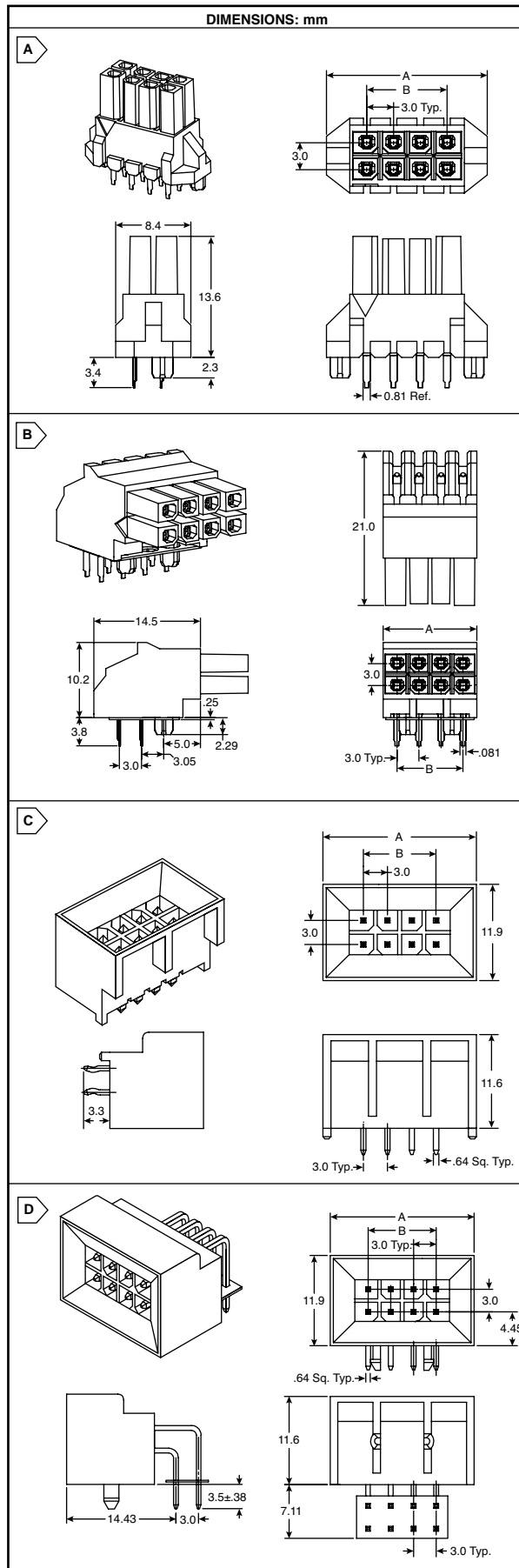
For quantities of 500 and up, call for quote.

MOUSER STOCK NO.	Molex Part No.	Fig.	No. of Circuits	Dimensions: mm		Price Each		
				A	B	1	10	100
538-44428-0401	44428-0401	D	4	13.00	3.00			
538-44428-0801	44428-0801	D	8	19.00	9.00			
538-44428-1201	44428-1201	D	12	25.00	15.00			
538-44428-1401	44428-1401	D	14	28.00	18.00			
538-44428-1601	44428-1601	D	16	31.00	21.00			

Gold Plated

For quantities of 500 and up, call for quote.

MOUSER STOCK NO.	Molex Part No.	Fig.	No. of Circuits	Dimensions: mm		Price Each		
				A	B	1	10	100
538-44428-0402	44428-0402	D	4	13.00	3.00			
538-44428-0602	44428-0602	D	6	16.00	6.00			
538-44428-0802	44428-0802	D	8	19.00	9.00			
538-44428-1002	44428-1002	D	10	22.00	12.00			
538-44428-1402	44428-1402	D	14	28.00	18.00			



Molex Rectangular Connectors