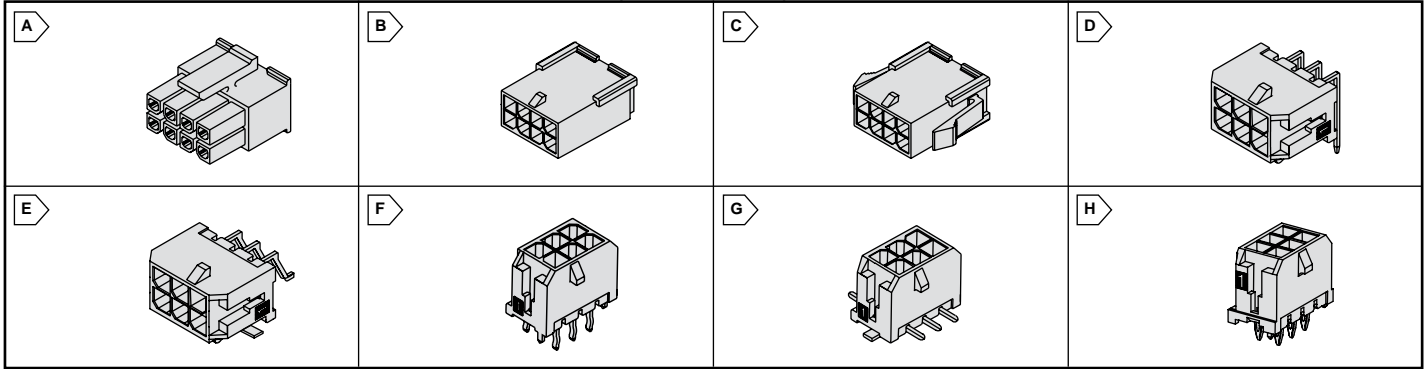


MOLEX Micro-Fit 3.0™ Connectors

molex
one company > a world of innovation

RoHS Compliant This product is RoHS compliant.



DUAL ROW CONNECTORS



Specifications:

- 3.00mm Pitch
- Fully isolated contacts
- Full polarization
- Positive locks
- Surface Mount Compatible
- Up to 5.0A per circuit
- 250V AC rating
- UL 94V-0, CSA TUV approved

For quantities of 500 and up, call for quote.

MOUSER STOCK NO.	Molex Part No.	Fig.	No. of Circuits	Plating	Price Each		
					1	10	100
Crimp Housing Receptacles - use with 43030 terminals							
538-43025-0200	43025-0200	A	2	-			
538-43025-0400	43025-0400	A	4	-			
538-43025-0600	43025-0600	A	6	-			
538-43025-0800	43025-0800	A	8	-			
538-43025-1000	43025-1000	A	10	-			
538-43025-1200	43025-1200	A	12	-			
538-43025-1400	43025-1400	A	14	-			
538-43025-1600	43025-1600	A	16	-			
538-43025-1800	43025-1800	A	18	-			
538-43025-2000	43025-2000	A	20	-			
538-43025-2200	43025-2200	A	22	-			
538-43025-2400	43025-2400	A	24	-			
Crimp Housing Plugs - Free Hanging - use with 43031 terminals							
538-43020-0201	43020-0201	B	2	-			
538-43020-0401	43020-0401	B	4	-			
538-43020-0601	43020-0601	B	6	-			
538-43020-0801	43020-0801	B	8	-			
538-43020-1001	43020-1001	B	10	-			
538-43020-1201	43020-1201	B	12	-			
538-43020-1401	43020-1401	B	14	-			
538-43020-1601	43020-1601	B	16	-			
538-43020-1801	43020-1801	B	18	-			
538-43020-2001	43020-2001	B	20	-			
538-43020-2201	43020-2201	B	22	-			
538-43020-2401	43020-2401	B	24	-			
Crimp Housing Plugs - Panel Mount - use with 43031 terminals							
538-430200200	43020-0200	C	2	-			
538-43020-0400	43020-0400	C	4	-			
538-43020-0600	43020-0600	C	6	-			
538-43020-0800	43020-0800	C	8	-			
538-43020-1000	43020-1000	C	10	-			
538-43020-1200	43020-1200	C	12	-			
538-43020-1400	43020-1400	C	14	-			
538-43020-1600	43020-1600	C	16	-			
538-43020-1800	43020-1800	C	18	-			
538-43020-2000	43020-2000	C	20	-			
538-43020-2200	43020-2200	C	22	-			
538-43020-2400	43020-2400	C	24	-			
Right Angle Headers - Snap-In-Peg Locks							
538-43045-0200	43045-0200	D	2	Tin			
538-43045-0400	43045-0400	D	4	Tin			
538-43045-0600	43045-0600	D	6	Tin			
538-43045-0800	43045-0800	D	8	Tin			
538-43045-1000	43045-1000	D	10	Tin			
538-43045-1200	43045-1200	D	12	Tin			
538-43045-1400	43045-1400	D	14	Tin			
538-43045-1600	43045-1600	D	16	Tin			
538-43045-1800	43045-1800	D	18	Tin			
538-43045-2000	43045-2000	D	20	Tin			
538-43045-2200	43045-2200	D	22	Tin			
538-43045-2400	43045-2400	D	24	Tin			
538-43045-0202	43045-0202	D	2	30µ" Gold			
538-43045-0402	43045-0402	D	4	30µ" Gold			
538-43045-0602	43045-0602	D	6	30µ" Gold			
538-43045-0802	43045-0802	D	8	30µ" Gold			
538-43045-1002	43045-1002	D	10	30µ" Gold			
538-43045-1202	43045-1202	D	12	30µ" Gold			
538-43045-1402	43045-1402	D	14	30µ" Gold			
538-43045-1602	43045-1602	D	16	30µ" Gold			
538-43045-1802	43045-1802	D	18	30µ" Gold			
538-43045-2002	43045-2002	D	20	30µ" Gold			
538-43045-2202	43045-2202	D	22	30µ" Gold			
538-43045-2402	43045-2402	D	24	30µ" Gold			

For quantities of 500 and up, call for quote.

MOUSER STOCK NO.	Molex Part No.	Fig.	No. of Circuits	Plating	Price Each		
					1	10	100
Right Angle Headers - SMT - Solder Tabs							
538-43045-0209	43045-0209	E	2	Tin			
538-43045-0409	43045-0409	E	4	Tin			
538-43045-0609	43045-0609	E	6	Tin			
538-43045-0809	43045-0809	E	8	Tin			
538-43045-1009	43045-1009	E	10	Tin			
538-43045-1209	43045-1209	E	12	Tin			
538-43045-0211	43045-0211	E	2	30µ" Gold			
538-43045-0411	43045-0411	E	4	30µ" Gold			
538-43045-0611	43045-0611	E	6	30µ" Gold			
538-43045-0811	43045-0811	E	8	30µ" Gold			
538-43045-1011	43045-1011	E	10	30µ" Gold			
538-43045-1211	43045-1211	E	12	30µ" Gold			
Vertical Headers - Thru-hole - Offset Terminal Retention							
538-430-45-0212	43045-0212	F	2	Tin			
538-43045-0412	43045-0412	F	4	Tin			
538-43045-0612	43045-0612	F	6	Tin			
538-43045-0812	43045-0812	F	8	Tin			
538-43045-1012	43045-1012	F	10	Tin			
538-43045-1212	43045-1212	F	12	Tin			
538-43045-1412	43045-1412	F	14	Tin			
538-43045-1612	43045-1612	F	16	Tin			
538-43045-1812	43045-1812	F	18	Tin			
538-43045-2012	43045-2012	F	20	Tin			
538-43045-2212	43045-2212	F	22	Tin			
538-43045-2412	43045-2412	F	24	Tin			
538-43045-0214	43045-0214	F	2	30µ" Gold			
538-43045-0414	43045-0414	F	4	30µ" Gold			
538-43045-0614	43045-0614	F	6	30µ" Gold			
538-43045-0814	43045-0814	F	8	30µ" Gold			
538-43045-1014	43045-1014	F	10	30µ" Gold			
538-43045-1214	43045-1214	F	12	30µ" Gold			
538-43045-1414	43045-1414	F	14	30µ" Gold			
538-43045-1614	43045-1614	F	16	30µ" Gold			
538-43045-1814	43045-1814	F	18	30µ" Gold			
538-43045-2014	43045-2014	F	20	30µ" Gold			
538-43045-2214	43045-2214	F	22	30µ" Gold			
538-43045-2414	43045-2414	F	24	30µ" Gold			
Vertical Headers - SMT - Solder Tabs							
538-43045-0218	43045-0218	G	2	Tin			
538-430-45-0418	43045-0418	G	4	Tin			
538-430-45-0618	43045-0618	G	6	Tin			
538-430-45-0818	43045-0818	G	8	Tin			
538-43045-1018	43045-1018	G	10	Tin			
538-430-45-1218	43045-1218	G	12	Tin			
538-43045-0220	43045-0220	G	2	30µ" Gold			
538-43045-0420	43045-0420	G	4	30µ" Gold			
538-43045-0620	43045-0620	G	6	30µ" Gold			
538-43045-0820	43045-0820	G	8	30µ" Gold			
538-43045-1020	43045-1020	G	10	30µ" Gold			
538-43045-1220	43045-1220	G	12	30µ" Gold			

Rectangular Connectors Molex

MICRO-FIT CPI™ (COMPLIANT PIN INTERFACE)

For quantities of 500 and up, call for quote.

MOUSER STOCK NO.	Molex Part No.	Fig.	No. of Circuits	Plating	Price Each		
					1	10	100
Vertical Headers - Press-Fit - Solderless							
538-44914-0201	44914-0201	H	2	Tin			
538-44914-0401	44914-0401	H	4	Tin			
538-44914-0601	44914-0601	H	6	Tin			
538-44914-0801	44914-0801	H	8	Tin			
538-44914-1001	44914-1001	H	10	Tin			
538-44914-1201	44914-1201	H	12	Tin			