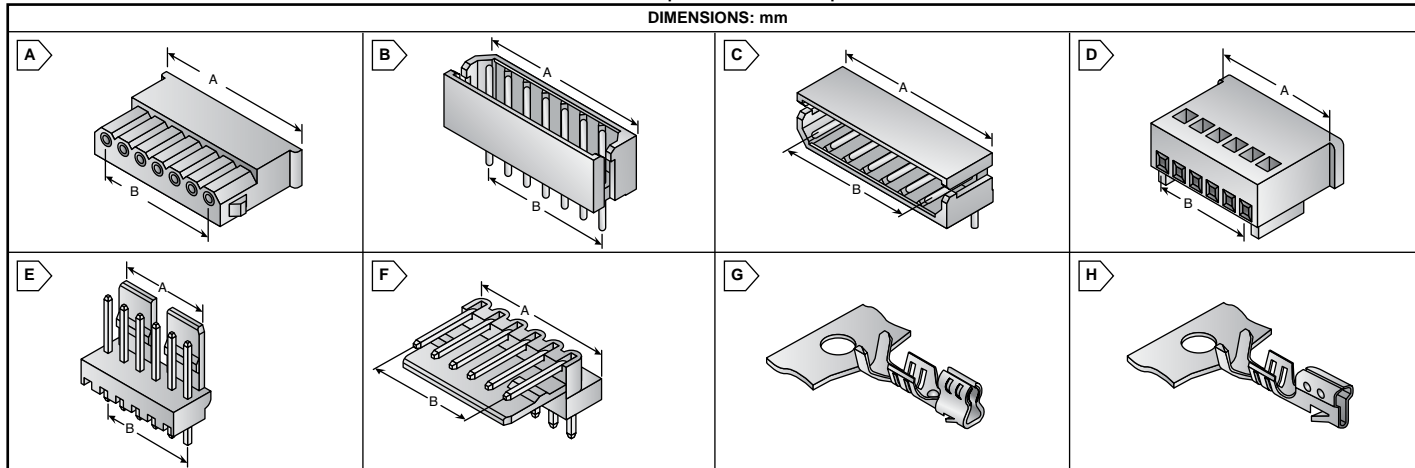


# MOLEX 2.50mm SPOX™ Connectors

**molex**  
one company > a world of innovation

This product is RoHS compliant.

## DIMENSIONS: mm



### CRIMP TERMINAL HOUSINGS

- Series 5264-N
- Very low profile
- Friction lock
- Molded-in pull tabs
- Mates w/series 5267-NA & 5268-NA
- Use with terminal series 5263
- Operating temperature: -40° to +105°C
- Housing: 6/6 nylon, UL 94V-0
- RoHS Compliant per Molex documentation

LR19980 E29179 RoHS Compliant

For quantities of 1000 and up, call for quote.

MOUSER STOCK NO.	Molex Part No.	Fig.	No. of Circuits	Dimensions: mm		Price Each			
				A	B	1	10	100	500
538-50-37-5023	50-37-5023	A	2	5.80	2.50				
538-50-37-5033	50-37-5033	A	3	8.30	5.00				
538-50-37-5043	50-37-5043	A	4	10.80	7.50				
538-50-37-5053	50-37-5053	A	5	13.30	10.00				
538-50-37-5063	50-37-5063	A	6	15.80	12.50				
538-50-37-5073	50-37-5073	A	7	18.30	15.00				
538-50-37-5083	50-37-5083	A	8	20.80	17.50				
538-50-37-5093	50-37-5093	A	9	23.30	20.00				
538-50-37-5103	50-37-5103	A	10	25.80	22.50				
538-50-37-5113	50-37-5113	A	11	28.30	25.00				
538-50-37-5123	50-37-5123	A	12	30.80	27.50				
538-50-37-5133	50-37-5133	A	13	33.30	30.00				
538-50-37-5143	50-37-5143	A	14	35.80	32.50				
538-50-37-5153	50-37-5153	A	15	38.30	35.00				

### CRIMP TERMINAL HOUSINGS

- Series 5102-N
- Low profile
- Friction lock
- Molded-in pull tabs
- Mates w/series 5045 & 5046
- Use with terminal series 5103
- Operating temperature: -40° to +105°C
- Housing: 6/6 nylon, UL 94V-0
- RoHS Compliant per Molex documentation

LR19980 E29179 RoHS Compliant

For quantities of 1000 and up, call for quote.

MOUSER STOCK NO.	Molex Part No.	Fig.	No. of Circuits	Dimensions: mm		Price Each			
				A	B	1	10	100	500
538-22-01-1024	22-01-1024	D	2	6.00	2.50				
538-22-01-1034	22-01-1034	D	3	8.50	5.00				
538-22-01-1044	22-01-1044	D	4	11.00	7.50				
538-22-01-1054	22-01-1054	D	5	13.50	10.00				
538-22-01-1064	22-01-1064	D	6	16.00	12.50				
538-22-01-1074	22-01-1074	D	7	18.50	15.00				
538-22-01-1084	22-01-1084	D	8	21.00	17.50				
538-22-01-1094	22-01-1094	D	9	23.50	20.00				
538-22-01-1104	22-01-1104	D	10	26.00	22.50				
538-22-01-1114	22-01-1114	D	11	28.50	25.00				

### HEADERS

- Mates with series 5102-N housings
- .064mm square wire pins
- Contact: Brass
- Plating: Tin
- Housing: 6/6 nylon, UL 94V-0
- Operating temperature: -40° to +105°C
- RoHS Compliant per Molex documentation

LR19980 E29179 RoHS Compliant

For quantities of 1000 and up, call for quote.

MOUSER STOCK NO.	Molex Part No.	Fig.	No. of Circuits	Dimensions: mm		Price Each			
				A	B	1	10	100	500
<b>Vertical - Polarizing Lock - Series 5045</b>									
538-22-04-1021	22-04-1021	E	2	4.50	2.50				
538-22-04-1031	22-04-1031	E	3	7.00	5.00				
538-22-04-1041	22-04-1041	E	4	9.50	7.50				
538-22-04-1051	22-04-1051	E	5	12.00	10.00				
538-22-04-1061	22-04-1061	E	6	14.50	12.50				
538-22-04-1071	22-04-1071	E	7	17.00	15.00				
538-22-04-1081	22-04-1081	E	8	19.50	17.50				
538-22-04-1091	22-04-1091	E	9	22.00	20.00				
538-22-04-1101	22-04-1101	E	10	24.50	22.50				
538-22-04-1111	22-04-1111	E	11	27.00	25.00				

### Mini-Latch™ Right Angle - Friction Lock - Series 5046

538-22-05-1022	22-05-1022	F	2	4.50	2.50				
538-22-05-1032	22-05-1032	F	3	7.00	5.00				
538-22-05-1042	22-05-1042	F	4	9.50	7.50				
538-22-05-1052	22-05-1052	F	5	12.00	10.00				
538-22-05-1072	22-05-1072	F	7	17.00	15.00				
538-22-05-1082	22-05-1082	F	8	19.50	17.50				

### FULLY SHROUDED HEADERS

- Series 5276-NA & 5268-NA
- 0.70mm round pins
- Polarized
- Friction lock
- Mates with series 5264-N & 42219
- Contact: brass
- Plating: tin
- Housing: 6/6 nylon, UL 94V-0
- Operating temperature: 0° to +75°C
- RoHS Compliant per Molex documentation

LR19980 E29179 RoHS Compliant

For quantities of 1000 and up, call for quote.

MOUSER STOCK NO.	Molex Part No.	Fig.	No. of Circuits	Dimensions: mm		Price Each			
				A	B	1	10	100	500
<b>Vertical</b>									
538-22-03-5025	22-03-5025	B	2	7.40	2.50				
538-22-03-5035	22-03-5035	B	3	9.90	5.00				
538-22-03-5045	22-03-5045	B	4	12.40	7.50				
538-22-03-5055	22-03-5055	B	5	14.90	10.00				
538-22-03-5065	22-03-5065	B	6	17.40	12.50				
538-22-03-5075	22-03-5075	B	7	19.90	15.00				
538-22-03-5085	22-03-5085	B	8	22.40	17.50				
538-22-03-5095	22-03-5095	B	9	24.90	20.00				
538-22-03-5105	22-03-5105	B	10	27.40	22.50				
538-22-03-5125	22-03-5125	B	12	32.40	27.50				
538-22-03-5145	22-03-5145	B	14	37.40	32.50				
538-22-03-5155	22-03-5155	B	15	39.90	35.00				
<b>Right Angle</b>									
538-22-05-7025	22-05-7025	C	2	7.40	2.50				
538-22-05-7035	22-05-7035	C	3	9.90	5.00				
538-22-05-7045	22-05-7045	C	4	12.40	7.50				
538-22-05-7055	22-05-7055	C	5	14.90	10.00				
538-22-05-7065	22-05-7065	C	6	17.40	12.50				
538-22-05-7075	22-05-7075	C	7	19.90	15.00				
538-22-05-7085	22-05-7085	C	8	22.40	17.50				
538-22-05-7095	22-05-7095	C	9	24.90	20.00				
538-22-05-7105	22-05-7105	C	10	27.40	22.50				
538-22-05-7125	22-05-7125	C	12	32.40	27.50				

### CRIMP TERMINALS

- Series 5263 & 5103
- Anti-fishhooking design
- RoHS Compliant per Molex documentation

RoHS Compliant  
For quantities of 2000 and up, call for quote.

MOUSER STOCK NO.	Molex Part No.	Fig.	Type	AWG	Plating	Price Each			
						1	100	500	1000
<b>Series 5263</b>									
538-08-70-1040	08-70-1040	G	Female	22-28	Tin/Bronze				
<b>Series 5103</b>									
538-08-70-0057	08-70-0057	H	Female	22-28	Tin/Brass				

### TOOLING

MOUSER STOCK NO.	Molex Part No.	Description	Price Each
538-63811-5200	63811-5200	Hand Crimp Tool, 22 - 28 AWG	