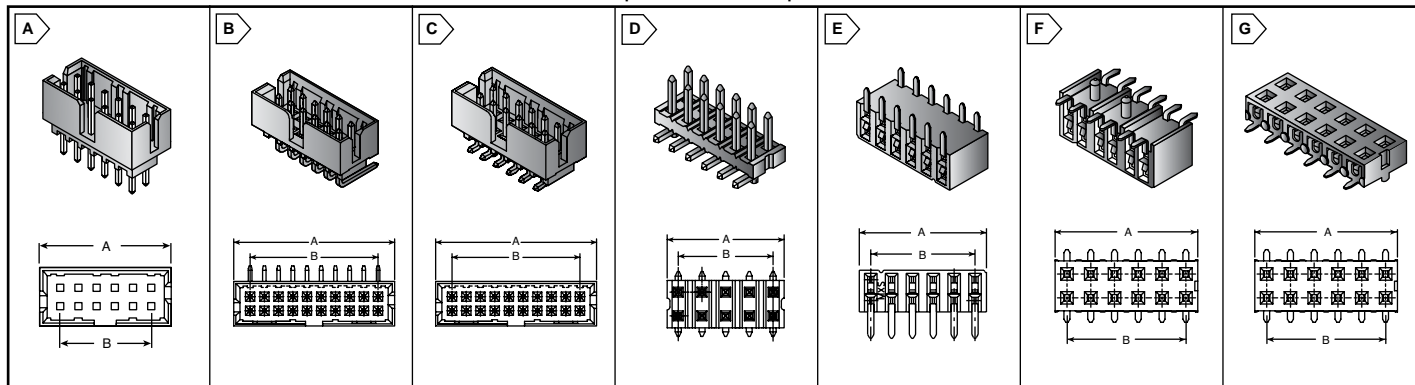


MOLEX 2mm Milli-Grid™ Connectors

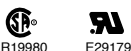
molex
one company > a world of innovation

RoHS Compliant This product is RoHS compliant.



2.00MM (.079") VERTICAL SHROUDED HEADERS

- Fully shrouded to protect pins during mating/unmating
- Center slot for polarization
- Side latches for mechanical locking (18, 40 circuit only)
- No center polarization slot for circuit size 4 and 6
- Housing: Black 4/6 nylon, UL 94V-0
- Contact: Phosphor bronze
- Plating: 15µ" select gold



For quantities of 200 and up, call for quote.

MOUSER STOCK NO.	Molex Part No.	Fig.	No. of Circuits	Dimensions: mm		Price Each		
				A	B	1	10	100
538-87831-0420	87831-0420	A	4	6.65	2.00			
538-87831-0620	87831-0620	A	6	8.65	4.00			
538-87831-0820	87831-0820	A	8	10.65	6.00			
538-87831-1020	87831-1020	A	10	12.65	8.00			
538-87831-1220	87831-1220	A	12	14.65	10.00			
538-87831-1420	87831-1420	A	14	16.65	12.00			
538-87831-1620	87831-1620	A	16	18.65	16.00			
538-87831-1820	87831-1820	A	18	20.65	16.00			
538-87831-2020	87831-2020	A	20	22.65	18.00			
538-87831-2220	87831-2220	A	22	24.65	20.00			
538-87831-2420	87831-2420	A	24	26.65	22.00			
538-87831-3020	87831-3020	A	30	32.65	28.00			
538-87831-4020	87831-4020	A	40	42.65	38.00			
538-87831-4420	87831-4420	A	44	46.65	42.00			
538-87831-5020	87831-5020	A	50	52.65	48.00			

2.00MM (.079") SHROUDED VERTICAL SURFACE MOUNT HEADERS

- Plastic locating pegs version for accurate placement on PCB
- Optional voided pin version for polarization to the mating part available
- Current: 2.0A • Voltage: 125V
- Housing: PA Polyimide (Nylon), High Temperature UL 94V-0
- Plating Contact: 0.38µm (15µ") Selective Gold (Au)

For quantities of 200 and up, call for quote.

MOUSER STOCK NO.	Molex Part No.	Fig.	No. of Circuits	Dimensions: mm		Price Each		
				A	B	1	10	100
538-87759-0850	87759-0850	D	8	7.90	6.00			
538-87759-1050	87759-1050	D	10	9.90	8.00			
538-87759-1250	87759-1250	D	12	11.90	10.00			
538-87759-1450	87759-1450	D	14	13.90	12.00			
538-87759-1650	87759-1650	D	16	15.90	14.00			
538-87759-1850	87759-1850	D	18	17.90	16.00			
538-87759-2050	87759-2050	D	20	19.90	18.00			
538-87759-2250	87759-2250	D	22	21.90	20.00			
538-87759-2450	87759-2450	D	24	23.90	22.00			
538-87759-2650	87759-2650	D	26	25.90	24.00			
538-87759-2850	87759-2850	D	28	27.90	26.00			
538-87759-3050	87759-3050	D	30	29.90	28.00			

Rectangular Connectors

2.00MM (.079") RIGHT ANGLE SHROUDED HEADERS

- Fully shrouded to protect pins during mating/unmating
- Center polarization slot (8 to 12 Circuits)
- Center polarization slot and front windows (14 to 50 Circuits)
- Current: 2.0A • Voltage: 125V
- Housing: PA Polyimide (Nylon) 4/6 UL 94V-0
- Plating Contact: 0.38µm (15µ") Gold (Au)

For quantities of 200 and up, call for quote.

MOUSER STOCK NO.	Molex Part No.	Fig.	No. of Circuits	Dimensions: mm		Price Each		
				A	B	1	10	100
538-87833-1020	87833-1020	B	10	12.65	8.00			
538-87833-1220	87833-1220	B	12	14.65	10.00			
538-87833-1420	87833-1420	B	14	16.65	12.00			
538-87833-1620	87833-1620	B	16	18.65	14.00			
538-87833-2020	87833-2020	B	20	22.65	18.00			
538-87833-2420	87833-2420	B	24	26.65	22.00			
538-87833-3020	87833-3020	B	30	32.65	28.00			
538-87833-4020	87833-4020	B	40	42.65	38.00			

2.00MM (.079") SHROUDED VERTICAL SURFACE MOUNT HEADERS

- Fully shrouded to protect pins during mating/unmating
- Center polarization slot (8 to 12 Circuits)
- Center polarization slot and front windows (14 to 50 Circuits)
- Current: 2.0A • Voltage: 125V
- Housing: PA Polyimide (Nylon) 4/6, Glass-filled UL 94V-0
- Plating Contact: 0.38µm (15µ") Gold (Au)

For quantities of 200 and up, call for quote.

MOUSER STOCK NO.	Molex Part No.	Fig.	No. of Circuits	Dimensions: mm		Price Each		
				A	B	1	10	100
538-87832-0420	87832-0420	C	4	6.65	2.00			
538-87832-0620	87832-0620	C	6	8.65	4.00			
538-87832-0820	87832-0820	C	8	10.65	6.00			
538-87832-1020	87832-1020	C	10	12.65	8.00			
538-87832-1220	87832-1220	C	12	14.65	10.00			
538-87832-1420	87832-1420	C	14	16.65	12.00			
538-87832-1620	87832-1620	C	16	18.65	14.00			
538-87832-1820	87832-1820	C	18	20.65	16.00			
538-87832-2020	87832-2020	C	20	22.65	18.00			
538-87832-2220	87832-2220	C	22	24.65	20.00			
538-87832-2420	87832-2420	C	24	26.65	22.00			
538-87832-3020	87832-3020	C	30	32.65	28.00			
538-87832-4020	87832-4020	C	40	42.65	38.00			
538-87832-4420	87832-4420	C	44	46.65	42.00			
538-87832-5020	87832-5020	C	50	52.65	48.00			

2.00MM (.079") SIDE ENTRY RECEPTACLES

- Surface Mount Compatible
- Housing: Black high-temperature nylon UL 94V-0
- Center polarization slot (8 to 12 Circuits)
- Center polarization slot and front windows (14 to 50 Circuits)

For quantities of 200 and up, call for quote.

MOUSER STOCK NO.	Molex Part No.	Fig.	No. of Circuits	Dimensions: mm		Price Each		
				A	B	1	10	100
538-87264-0852	87264-0852	E	8	8.20	6.00			
538-87264-1052	87264-1052	E	10	10.20	8.00			
538-87264-1852	87264-1852	E	18	18.20	16.00			
538-87264-2052	87264-2052	E	20	20.20	18.00			
538-87264-2452	87264-2452	E	24	24.20	22.00			
538-87264-2852	87264-2852	E	28	28.20	26.00			
538-87264-4252	87264-4252	E	42	42.20	40.00			
538-87264-4852	87264-4852	E	48	48.20	46.00			
538-87264-5052	87264-5052	E	50	50.20	48.00			

2.00MM (.079") SIDE ENTRY SMT RECEPTACLES

- Polarization peg standard
- Current: 1.0A
- Plating Contact: Phosphor Bronze (CuSn)
- Voltage: 125V

For quantities of 200 and up, call for quote.

MOUSER STOCK NO.	Molex Part No.	Fig.	No. of Circuits	Dimensions: mm		Price Each		
				A	B	1	10	100
538-87368-1024	87368-1024	F	10	10.20	8.00			
538-87368-1624	87368-1624	F	16	16.20	14.00			
538-87368-2424	87368-2424	F	24	24.20	22.00			
538-87368-3024	87368-3024	F	30	30.20	28.00			
538-87368-4424	87368-4424	F	44	44.20	42.00			
538-87368-5024	87368-5024	F	50	50.20	48.00			

2.00MM (.079") TOP/BOTTOM ENTRY SMT RECEPTACLES

- Locating peg version standard
- Current: 1.0A
- Very low profile height of 2.15mm
- Voltage: 125V
- End-to-end stackable
- Housing: LCP Liquid Crystal Polymer, Glass-filled UL 94V-0
- Plating Contact: Phosphor Bronze (CuSn)

For quantities of 200 and up, call for quote.

MOUSER STOCK NO.	Molex Part No.	Fig.	No. of Circuits	Dimensions: mm		Price Each		
				A	B	1	10	100
538-87340-0424	87340-0424	G	4	4.00	2.00			
538-87340-0624	87340-0624	G	6	6.00	4.00			
538-87340-0824	87340-0824	G	8	8.00	6.00			
538-87340-1024	87340-1024	G	10	10.00	8.00			
538-87340-1224	87340-1224	G	12	12.00	10.00			
538-87340-1424	87340-1424	G	14	14.00	12.00			
538-87340-1624	87340-1624	G	16	16.00	14.00			
538-87340-1824	87340-1824	G	18	18.00	16.00			
538-87340-2024	87340-2024	G	20	20.00	18.00			