

MOLEX MicroClasp™ Connectors

MOLEX 2.0MM (.079") RECEPTACLES AND HEADERS DUAL ROW - WIRE-TO-BOARD

The original application for the MicroClasp™ connector system was Pachinko (gaming) machines. Most of these machines previously used 2.50mm pitch WTB systems with outer positive locks. As pachinko boards became higher density with more functions, makers were looking for a smaller connector that was also easy to install. Easy installation is important because new game upgrades on daughterboard modules would be installed on-site by pachinko parlor employees. Molex developed the 2.0mm MicroClasp™ system to meet these various needs. Notches would sometimes have to be cut into panels to accommodate the old 2.50mm pitch outer-style positive lock types, but not with MicroClasp™. The smaller pitch and inner positive lock saved space and are easy to actuate in high density areas. And a unique low insertion force terminal makes it easy for operators to insert/extract connectors. In addition, MicroClasp™ is among the smallest of its kind to carry 3.0 Amps as most 2.0mm pitch systems can only accommodate 2.0 Amps. The extra signal power and space savings is important so Pachinko makers and other equipment makers can offer more high-end graphics/sound/etc in smaller spaces.

Features:

- Two point contact design for greater reliability
- Locking tang on contact for secure retention to the housing
- Positive lock on the housing assures secure retention when mated to a header
- Polarized mating geometry assures housings cannot be mated to headers
- Headers fully shrouded to protect pins
- Lead-free plating
- Headers - through hole mounting

Electrical:

- Current: 3.0A max
- Voltage: 250V

Physical:

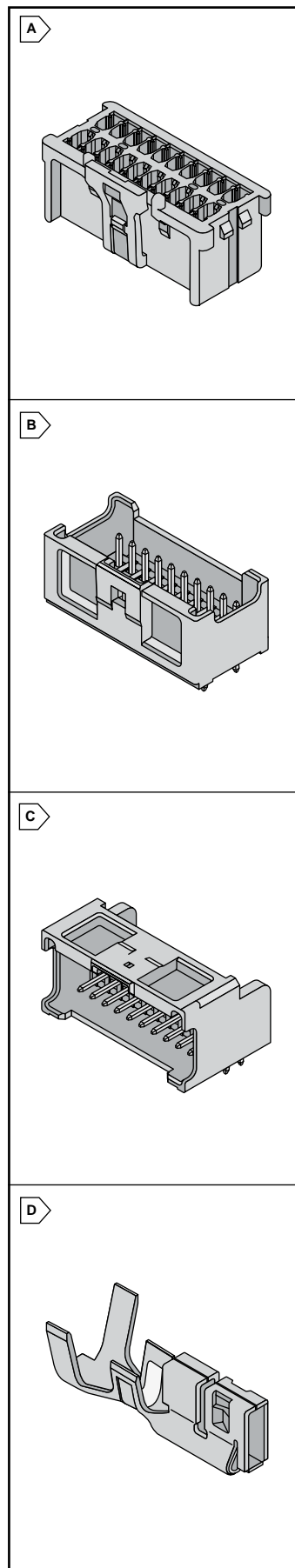
- Receptacles / Headers: White, Nylon 6/6, UL 94V-0
- Pin: Brass
- Plating: Lead-free Tin
- Operating Temperature: -25°C to +85°C

Applications:

- Coin Operated Devices
- Power Tools
- Alarms / Security systems
- Washers / Dryers
- Medical (Hospital beds, Patient monitors)
- HVAC
- Power supplies
- Exercise equipment

For quantities of 250 and up, call for quote.

MOUSER STOCK NO.	Molex Part No.	Fig.	No. of Circuits	Overall Length (In.)	First-to-Last Circuit (In.)	Price Each				
						1	10	25	50	100
Receptacle Housings										
538-51353-0800	51353-0800	A	8	0.449	0.236					
538-51353-1000	51353-1000	A	10	0.528	0.315					
538-51353-1200	51353-1200	A	12	0.606	0.394					
538-51353-1400	51353-1400	A	14	0.685	0.472					
538-51353-1600	51353-1600	A	16	0.764	0.551					
538-51353-1800	51353-1800	A	18	0.843	0.630					
538-51353-2000	51353-2000	A	20	0.921	0.709					
538-51353-2200	51353-2200	A	22	1.000	0.787					
538-51353-2400	51353-2400	A	24	1.079	0.866					
538-51353-2600	51353-2600	A	26	1.157	0.945					
538-51353-2800	51353-2800	A	28	1.236	1.024					
538-51353-3000	51353-3000	A	30	1.315	1.102					
538-51353-3200	51353-3200	A	32	1.394	1.181					
538-51353-3400	51353-3400	A	34	1.472	1.260					
538-51353-3600	51353-3600	A	36	1.551	1.339					
538-51353-3800	51353-3800	A	38	1.630	1.417					
538-51353-4000	51353-4000	A	40	1.709	1.496					
Vertical Headers										
538-55917-0810	55917-0810	B	8	0.449	0.236					
538-55917-1010	55917-1010	B	10	0.528	0.315					
538-55917-1210	55917-1210	B	12	0.606	0.394					
538-55917-1410	55917-1410	B	14	0.685	0.472					
538-55917-1610	55917-1610	B	16	0.764	0.551					
538-55917-1810	55917-1810	B	18	0.843	0.630					
538-55917-2010	55917-2010	B	20	0.921	0.709					
538-55917-2210	55917-2210	B	22	1.000	0.787					
538-55917-2410	55917-2410	B	24	1.079	0.866					
538-55917-2610	55917-2610	B	26	1.157	0.945					
538-55917-2810	55917-2810	B	28	1.236	1.024					
538-55917-3010	55917-3010	B	30	1.315	1.102					
538-55917-3210	55917-3210	B	32	1.394	1.181					
538-55917-3410	55917-3410	B	34	1.472	1.260					
538-55917-3610	55917-3610	B	36	1.551	1.339					
538-55917-3810	55917-3810	B	38	1.630	1.417					
538-55917-4010	55917-4010	B	40	1.709	1.496					
Right-Angle Headers										
538-55959-0830	55959-0830	C	8	0.449	0.236					
538-55959-1030	55959-1030	C	10	0.528	0.315					
538-55959-1230	55959-1230	C	12	0.606	0.394					
538-55959-1430	55959-1430	C	14	0.685	0.472					
538-55959-1630	55959-1630	C	16	0.764	0.551					
538-55959-1830	55959-1830	C	18	0.843	0.630					
538-55959-2030	55959-2030	C	20	0.921	0.709					
538-55959-2230	55959-2230	C	22	1.000	0.787					
538-55959-2430	55959-2430	C	24	1.079	0.866					
538-55959-2630	55959-2630	C	26	1.157	0.945					
538-55959-2830	55959-2830	C	28	1.236	1.024					
538-55959-3030	55959-3030	C	30	1.315	1.102					
538-55959-3230	55959-3230	C	32	1.394	1.181					
538-55959-3430	55959-3430	C	34	1.472	1.260					
538-55959-3630	55959-3630	C	36	1.551	1.339					
538-55959-4030	55959-4030	C	40	1.709	1.496					



Rectangular Connectors

Molex

Contact - Female



RoHS Compliant For quantities of 5000 and up, call for quote.

MOUSER STOCK NO.	Molex Part No.	Fig.	Description	Price Each			
				1	100	500	1000
538-56134-9100	56134-9100	D	22-28AWG				

Tool

For quantities of 5 and up, call for quote.

MOUSER STOCK NO.	Molex Part No.	Description	Price Each
538-63811-6300	63811-6300	Hand Crimper	