

# MOLEX 2.00mm Mi II™ Connectors

**molex**  
one company a world of innovation

This product is RoHS compliant.

## 2.00MM (0.79") MI II™ WIRE-TO-BOARD HOUSINGS

**Features:**

- Sizes 2 to 15 circuits
- UL File No.: E29179-K
- Mates With: 53324, 53325 and 55460
- Use With: 50212
- Contact Resistance: 20 mΩ (max)
- Dielectric Withstanding Voltage: 500V
- Insulation Resistance: 1000 MΩ (min)
- Housing: PBT, UL 94V-0
- Operating Temperature: -40 to + 105°C
- Voltage: 125V
- Current:
 

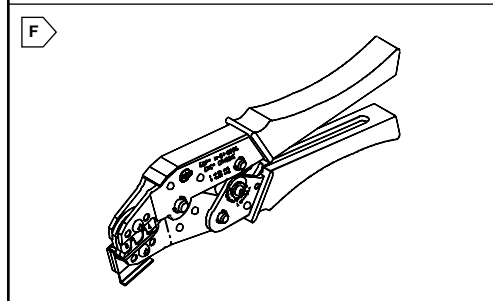
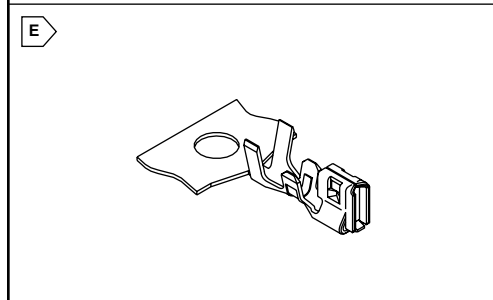
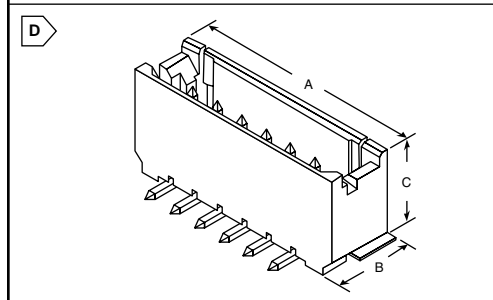
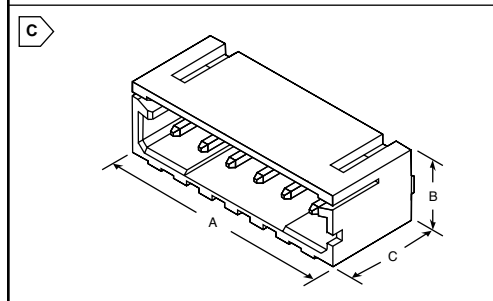
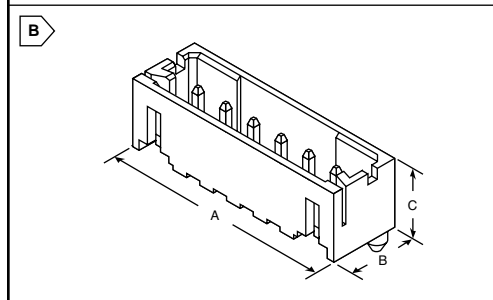
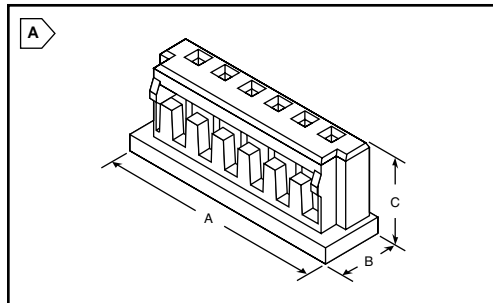
AWG	24	26	28	30
AMPS	2.0A	1.5A	1.0A	0.5A



RoHS Compliant

For quantities of 1000 and up, call for quote.

MOUSER STOCK NO.	Molex Part No.	Fig.	No. of Contacts	Dimensions: mm (in.)			Price Each			
				A	B	C	1	10	100	500
<b>Single Row Crimp</b>										
538-51090-0200	51090-0200	A	2	6.9	3.9	5.7				
538-51090-0300	51090-0300	A	3	8.9	3.9	5.7				
538-51090-0400	51090-0400	A	4	10.9	3.9	5.7				
538-51090-0500	51090-0500	A	5	12.9	3.9	5.7				
538-51090-0600	51090-0600	A	6	14.9	3.9	5.7				
538-51090-0700	51090-0700	A	7	16.9	3.9	5.7				
538-51090-0800	51090-0800	A	8	18.9	3.9	5.7				
538-51090-0900	51090-0900	A	9	20.9	3.9	5.7				
538-51090-1000	51090-1000	A	10	22.9	3.9	5.7				
538-51090-1100	51090-1100	A	11	24.9	3.9	5.7				
538-51090-1200	51090-1200	A	12	26.9	3.9	5.7				
538-51090-1300	51090-1300	A	13	28.9	3.9	5.7				
538-51090-1400	51090-1400	A	14	30.9	3.9	5.7				
538-51090-1500	51090-1500	A	15	32.9	3.9	5.7				



## 2.00MM (0.79") MI II™ WIRE-TO-BOARD HEADERS

**Features:**

- Sizes 2 to 15 circuits
- Outer pins are kinked
- UL File No. E29179
- Mates With: 51090
- Contact Resistance: 20 mΩ (max)
- Dielectric Withstanding Voltage: 500V
- Insulation Resistance: 1000 MΩ (min)
- Housing: Glass-filled PBT, UL 94V-0
- Contact: Brass
- Plating: Tin
- Operating Temperature: -40 to + 105°C
- Voltage: 125V
- Current:
 

AWG	24	26	28	30
AMPS	2.0A	1.5A	1.0A	0.5A



RoHS Compliant

For quantities of 1000 and up, call for quote.

MOUSER STOCK NO.	Molex Part No.	Fig.	No. of Contacts	Dimensions: mm (in.)			Price Each			
				A	B	C	1	10	100	500
<b>Single Row Vertical</b>										
538-53324-0260	53324-0260	B	2	7.3	4.55	6.00				
538-53324-0360	53324-0360	B	3	9.3	4.55	6.00				
538-53324-0460	53324-0460	B	4	11.3	4.55	6.00				
538-53324-0560	53324-0560	B	5	13.3	4.55	6.00				
538-53324-0660	53324-0660	B	6	15.3	4.55	6.00				
538-53324-0760	53324-0760	B	7	17.3	4.55	6.00				
538-53324-0860	53324-0860	B	8	19.3	4.55	6.00				
538-53324-0960	53324-0960	B	9	21.3	4.55	6.00				
538-53324-1060	53324-1060	B	10	23.3	4.55	6.00				
538-53324-1160	53324-1160	B	11	25.3	4.55	6.00				
538-53324-1260	53324-1260	B	12	27.3	4.55	6.00				
538-53324-1360	53324-1360	B	13	29.3	4.55	6.00				
538-53324-1460	53324-1460	B	14	31.3	4.55	6.00				
538-53324-1560	53324-1560	B	15	33.3	4.55	6.00				
<b>Single Row Right Angle</b>										
538-53325-0260	53325-0260	C	2	7.3	4.85	7.95				
538-53325-0360	53325-0360	C	3	9.3	4.85	7.95				
538-53325-0460	53325-0460	C	4	11.3	4.85	7.95				
538-53325-0560	53325-0560	C	5	13.3	4.85	7.95				
538-53325-0660	53325-0660	C	6	15.3	4.85	7.95				
538-53325-0760	53325-0760	C	7	17.3	4.85	7.95				
538-53325-0860	53325-0860	C	8	19.3	4.85	7.95				
538-53325-0960	53325-0960	C	9	21.3	4.85	7.95				
538-53325-1060	53325-1060	C	10	23.3	4.85	7.95				
538-53325-1160	53325-1160	C	11	25.3	4.85	7.95				
538-53325-1260	53325-1260	C	12	27.3	4.85	7.95				
538-53325-1360	53325-1360	C	13	29.3	4.85	7.95				
538-53325-1560	53325-1560	C	15	33.3	4.85	7.95				
<b>Surface Mount</b>										
538-55460-0272	55460-0272	D	2	7.7	4.55	7.00				
538-55460-0372	55460-0372	D	3	9.7	4.55	7.00				
538-55460-0572	55460-0572	D	5	13.7	4.55	7.00				
538-55460-0672	55460-0672	D	6	15.7	4.55	7.00				
538-55460-0872	55460-0872	D	8	19.7	4.55	7.00				
538-55460-1072	55460-1072	D	10	23.7	4.55	7.00				

**Terminal**

MOUSER STOCK NO.	Molex Part No.	Fig.	Description	Price Each			
				1	10	100	500
538-50212-8100	50212-8100	E	Female Wire-To-Board Crimp Terminal				

**Tooling**

MOUSER STOCK NO.	Molex Part No.	Fig.	Description	Price Each
538-63819-0500	63819-0500	F	Hand Crimper	
538-11-03-0043	11-03-0043	-	Extraction Tool	