

MOLEX 2mm iGrid™ Connectors

molex
one company a world of innovation

RoHS Compliant **This page of product is compliant.**

iGrid™ is a 2.00mm grid wire to board connector system. This dual row micro connector features an internal positive latch which prevents accidental disengagement and allows to be used in high vibration environments.

Features:

- Compact design
- High density
- Polarization
- Mating guide
- Audible click on positive inner latch
- High retention force

Specifications:

- Current rating: 2A
- Voltage Rating: 250V
- Wire gauge: 22-28
- Max insulation diameter: 1.50mm
- Operating Temp: -25°C - +85°C

Applications:

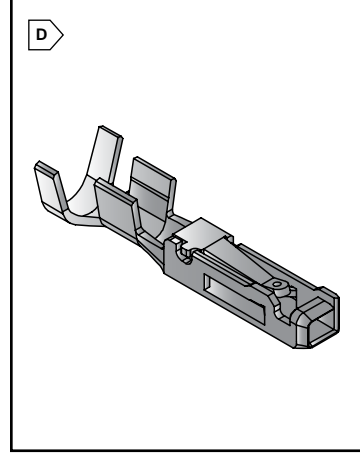
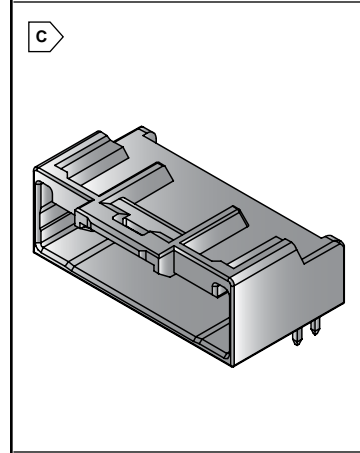
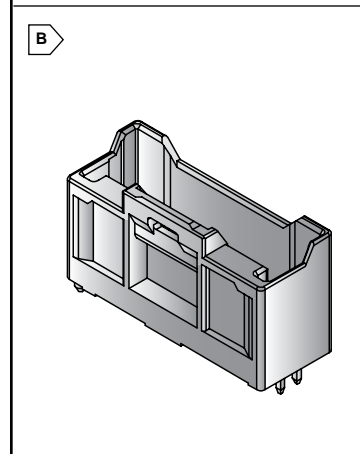
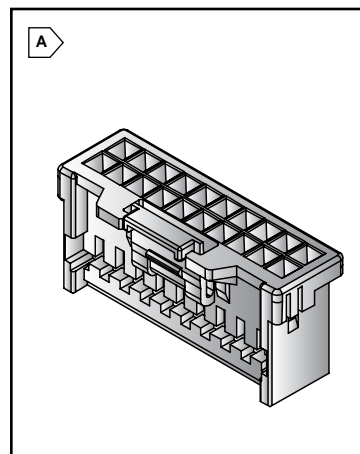
- Appliances
- HVAC
- Security systems
- GPS
- Medical
- Gaming/Amusement

HOUSINGS

- 66Nylon UL94V-0
- Natural color
- Width: 8.2mm
- Height: 10.55mm

For quantities of 1000 and up, call for quote.

MOUSER STOCK NO.	Molex Part No.	Fig.	No. of Circuits	Dimensions (mm)		Price Each			
				Overall Length	First-to-last Circuit	1	10	100	500
538-501646-1000	501646-1000	A	10	12.00	8.00				
538-501646-1200	501646-1200	A	12	14.00	10.00				
538-501646-1400	501646-1400	A	14	16.00	12.00				
538-501646-1600	501646-1600	A	16	18.00	14.00				
538-501646-1800	501646-1800	A	18	20.00	16.00				
538-501646-2000	501646-2000	A	20	22.00	18.00				
538-501646-2200	501646-2200	A	22	24.00	20.00				
538-501646-2400	501646-2400	A	24	26.00	22.00				
538-501646-2600	501646-2600	A	26	28.00	24.00				
538-501646-2800	501646-2800	A	28	30.00	26.00				
538-501646-3000	501646-3000	A	30	32.00	28.00				
538-501646-3200	501646-3200	A	32	34.00	30.00				
538-501646-3400	501646-3400	A	34	36.00	32.00				
538-501646-3600	501646-3600	A	36	38.00	34.00				
538-501646-3800	501646-3800	A	38	40.00	36.00				
538-501646-4000	501646-4000	A	40	42.00	38.00				



Rectangular Connectors Molex

VERTICAL HEADERS

- 66Nylon UL94V-0
- Pin: Brass, Tin over copper
- Natural color
- Width: 8.2mm
- Height: 11.55mm

For quantities of 1000 and up, call for quote.

MOUSER STOCK NO.	Molex Part No.	Fig.	No. of Circuits	Dimensions (mm)		Price Each			
				Overall Length	First-to-last Circuit	1	10	100	500
538-501645-1020	501645-1020	B	10	12.00	8.00				
538-501645-1220	501645-1220	B	12	14.00	10.00				
538-501645-1420	501645-1420	B	14	16.00	12.00				
538-501645-1620	501645-1620	B	16	18.00	14.00				
538-501645-1820	501645-1820	B	18	20.00	16.00				
538-501645-2020	501645-2020	B	20	22.00	18.00				
538-501645-2220	501645-2220	B	22	24.00	20.00				
538-501645-2420	501645-2420	B	24	26.00	22.00				
538-501645-2620	501645-2620	B	26	28.00	24.00				
538-501645-2820	501645-2820	B	28	30.00	26.00				
538-501645-3020	501645-3020	B	30	32.00	28.00				
538-501645-3220	501645-3220	B	32	34.00	30.00				
538-501645-3420	501645-3420	B	34	36.00	32.00				
538-501645-3620	501645-3620	B	36	38.00	34.00				
538-501645-3820	501645-3820	B	38	40.00	36.00				
538-501645-4020	501645-4020	B	40	42.00	38.00				

RIGHT-ANGLE HEADERS

- 66Nylon UL94V-0
- Pin: Brass, Tin over copper
- Natural color
- Width: 14.5mm
- Height: 8.3mm

For quantities of 1000 and up, call for quote.

MOUSER STOCK NO.	Molex Part No.	Fig.	No. of Circuits	Dimensions (mm)		Price Each			
				Overall Length	First-to-last Circuit	1	10	100	500
538-501876-1040	501876-1040	C	10	12.00	8.00				
538-501876-1240	501876-1240	C	12	14.00	10.00				
538-501876-1440	501876-1440	C	14	16.00	12.00				
538-501876-1640	501876-1640	C	16	18.00	14.00				
538-501876-2440	501876-2440	C	24	26.00	22.00				
538-501876-2640	501876-2640	C	26	28.00	24.00				
538-501876-3440	501876-3440	C	34	36.00	32.00				
538-501876-3640	501876-3640	C	36	38.00	34.00				
538-501876-3840	501876-3840	C	38	40.00	36.00				
538-501876-4040	501876-4040	C	40	42.00	38.00				

TERMINALS

- Female

For quantities of 1000 and up, call for quote.

MOUSER STOCK NO.	Molex Part No.	Fig.	AWG	Contact	Plating	Price Each			
						1	10	100	500
538-501647-1000	501647-1000	D	22-26	Copper Alloy	Tin				
538-501648-1000	501648-1000	D	26-28	Copper Alloy	Tin				

TOOLING

For quantities of 5 and up, call for quote.

MOUSER STOCK NO.	Molex Part No.	Fig.	Description	Price Each
538-63819-2300	63819-2300	--	Crimp Hand Tool for 501647-1000	
538-63819-2400	63819-2400	--	Crimp Hand Tool for 501648-1000	