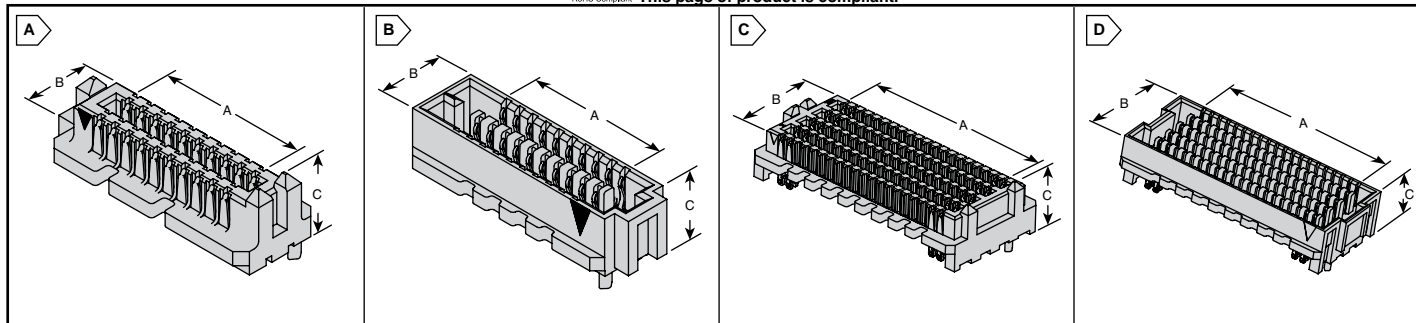


MOLEX 1.27mm SEARAY* Connectors

molex
one company a world of innovation

RoHS Compliant This page of product is compliant.



* SEARAY is a trademark of Samtec, Inc.

1.27MM (.050") SEARAY* SLIM CONNECTORS

SEARAY* Slim pushes the envelope of the SEARAY product family, offering a 4-row solution that is a narrower version of the existing SEARAY* housings. Because Slim features Molex's patented solder-charge technology and can pack tighter signal density into a 1.27mm pitch, the connector width is equivalent to that of a standard 2-row SMT product.

Features:

- Data Rates up to 12.5 Gbps
- Multiple stack heights
- Robust contact design
- Molex's unique and patented solder-charge technology

Specifications:

- Voltage: 250V AC per
- Current: 1.0A per contact
- Housing: Glass-filled LCP UL 94V-0
- Operating Temperature: -55 to + 125°C
- Contact Plating: Contact Area - 0.75µm Gold min
Solder Tail Area - 3.80µm Tin min
Underplating - 1.25µm Nickel min overall



RoHS Compliant

For quantities of 500 and up, call for quote.

MOUSER STOCK NO.	Molex Part No.	Fig.	Circuit Size	Gender	Stack Height	Dimensions: mm			Price Each		
						A	B	C	1	10	100
4 Row											
538-46556-1145	46556-1145	A	40	Plug	3.5mm	11.43	7.06	5.61			
538-46556-1745	46556-1745	A	40	Plug	8.5mm	11.43	7.06	10.61			
538-46557-1145	46557-1145	B	40	Receptacle	3.5mm	11.43	7.06	5.05			
538-46557-1545	46557-1545	B	40	Receptacle	6.5mm	11.43	7.06	8.05			
538-46556-2145	46556-2145	A	80	Plug	3.5mm	24.13	7.06	5.61			
538-46556-2745	46556-2745	A	80	Plug	8.5mm	24.13	7.06	10.61			
538-46557-2145	46557-2145	B	80	Receptacle	3.5mm	24.13	7.06	5.05			
538-46557-2545	46557-2545	B	80	Receptacle	6.5mm	24.13	7.06	8.05			
538-46556-3145	46556-3145	A	120	Plug	3.5mm	36.83	7.06	5.61			
538-46556-3745	46556-3745	A	120	Plug	8.5mm	36.83	7.06	10.61			
538-46557-3145	46557-3145	B	120	Receptacle	3.5mm	36.83	7.06	5.05			
538-46557-3545	46557-3545	B	120	Receptacle	6.5mm	36.83	7.06	8.05			
538-46556-4145	46556-4145	A	160	Plug	3.5mm	49.53	7.06	5.61			
538-46556-4745	46556-4745	A	160	Plug	8.5mm	49.53	7.06	10.61			
538-46557-4145	46557-4145	B	160	Receptacle	3.5mm	49.53	7.06	5.05			
538-46557-4545	46557-4545	B	160	Receptacle	6.5mm	49.53	7.06	8.05			
538-46556-5145	46556-5145	A	200	Plug	3.5mm	62.23	7.06	5.61			
538-46556-5745	46556-5745	A	200	Plug	8.5mm	62.23	7.06	10.61			
538-46557-5145	46557-5145	B	200	Receptacle	3.5mm	62.23	7.06	5.05			
538-46557-5545	46557-5545	B	200	Receptacle	6.5mm	62.23	7.06	8.05			

1.27MM (.050") SEARAY* CONNECTORS

The SEARAY* board to board connector is designed for applications with High pin-count devices or memory modules that are mounted on mezzanine or module PCBs.

Features:

- Data Rates up to 10 Gbps
- Multiple stack heights
- Robust contact design
- Molex's unique and patented solder-charge technology

Specifications:

- Voltage: 250V AC per
- Current: 1.0A per contact
- Housing: Glass-filled LCP UL 94V-0
- Operating Temperature: -55 to + 125°C
- Contact Plating: Contact Area - 0.75µm Gold min
Solder Tail Area - 3.80µm Tin min
Underplating - 1.25µm Nickel min overall



RoHS Compliant

For quantities of 500 and up, call for quote.

6 Row											
538-45970-0161	45970-0161	C	114	Plug	3.5mm	22.86	9.6	5.61			
538-45970-0361	45970-0361	C	114	Plug	5.0mm	22.86	9.6	7.11			
538-45971-0161	45971-0161	D	114	Receptacle	3.5mm	22.86	9.6	5.05			
538-45971-0361	45971-0361	D	114	Receptacle	5.0mm	22.86	9.6	6.55			
8 Row											
538-45970-3185	45970-3185	C	240	Plug	3.5mm	36.83	12.14	5.61			
538-45970-3385	45970-3385	C	240	Plug	5.0mm	36.83	12.14	7.11			
538-45971-3185	45971-3185	D	240	Receptacle	3.5mm	36.83	12.14	5.05			
538-45971-3385	45971-3385	D	240	Receptacle	5.0mm	36.83	12.14	6.55			
538-45970-4185	45970-4185	C	320	Plug	3.5mm	49.53	12.14	5.61			
538-45970-4385	45970-4385	C	320	Plug	5.0mm	49.53	12.14	7.11			
538-45971-4185	45971-4185	D	320	Receptacle	3.5mm	49.53	12.14	5.05			
538-45971-4385	45971-4385	D	320	Receptacle	5.0mm	49.53	12.14	6.55			
10 Row											
538-45970-2115	45970-2115	C	200	Plug	3.5mm	24.13	14.68	5.61			
538-45970-2715	45970-2715	C	200	Plug	8.5mm	24.13	14.68	10.61			
538-45971-2115	45971-2115	D	200	Receptacle	3.5mm	24.13	14.68	5.05			
538-45971-2515	45971-2515	D	200	Receptacle	6.5mm	24.13	14.68	8.05			
538-45970-3115	45970-3115	C	300	Plug	3.5mm	36.83	14.68	5.61			
538-45970-3715	45970-3715	C	300	Plug	8.5mm	36.83	14.68	10.61			
538-45971-3115	45971-3115	D	300	Receptacle	3.5mm	36.83	14.68	5.05			
538-45971-3515	45971-3515	D	300	Receptacle	6.5mm	36.83	14.68	8.05			
538-45970-4115	45970-4115	C	400	Plug	3.5mm	49.53	14.68	5.61			
538-45970-4715	45970-4715	C	400	Plug	8.5mm	49.53	14.68	10.61			
538-45971-4115	45971-4115	D	400	Receptacle	3.5mm	49.53	14.68	5.05			
538-45971-4515	45971-4515	D	400	Receptacle	6.5mm	49.53	14.68	8.05			
538-45970-5115	45970-5115	C	500	Plug	3.5mm	62.23	14.68	5.61			
538-45970-5715	45970-5715	C	500	Plug	8.5mm	62.23	14.68	10.61			
538-45971-5115	45971-5115	D	500	Receptacle	3.5mm	62.23	14.68	5.05			
538-45971-5515	45971-5515	D	500	Receptacle	6.5mm	62.23	14.68	8.05			