

MOLEX CLIK-Mate™ Connectors

CLIK-Mate connectors are designed for applications such as LCD TVs that require higher pin count to carry more signal lines in less space. The system includes a unique tuning-fork terminal concept that provides low-insertion force and secure mating contact.

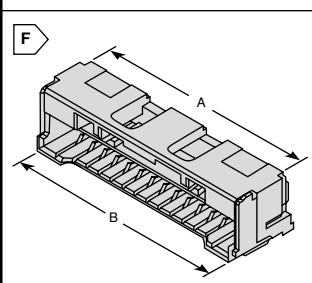
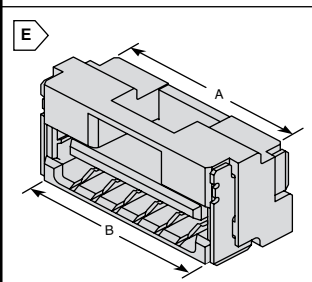
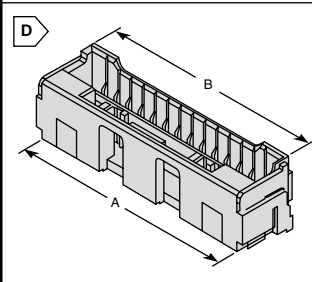
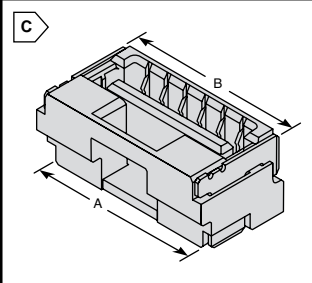
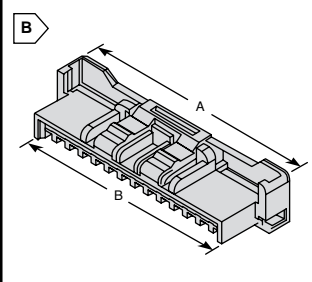
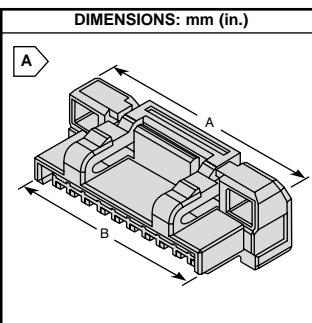
Features:

- Pitch: 1.25mm and 2.0mm (1.50mm available, see your sales rep. for details)
- SMT
- Positive internal latch

CRIMP PLUG HOUSINGS

For quantities of 1000 and up, call for quote.

| MOUSER STOCK NO. | Molex Part No. | Fig. | No. of Circuits | Dimensions: mm | | Housing Material | Price Each | | | |
|--|----------------|------|-----------------|----------------|-------|------------------|------------|----|-----|-----|
| | | | | A | B | | 1 | 10 | 100 | 500 |
| 1.25mm Pitch - Series 502380 - Use with Series 502382 or 502386 | | | | | | | | | | |
| 538-502380-0200 | 502380-0200 | A | 2 | 5.60 | 3.75 | PBTP, UL 94V-0 | | | | |
| 538-502380-0300 | 502380-0300 | A | 3 | 6.85 | 5.00 | PBTP, UL 94V-0 | | | | |
| 538-502380-0400 | 502380-0400 | A | 4 | 8.10 | 6.25 | PBTP, UL 94V-0 | | | | |
| 538-502380-0500 | 502380-0500 | A | 5 | 9.35 | 7.50 | PBTP, UL 94V-0 | | | | |
| 538-502380-0600 | 502380-0600 | A | 6 | 10.60 | 8.75 | PBTP, UL 94V-0 | | | | |
| 538-502380-0800 | 502380-0800 | A | 8 | 13.10 | 11.25 | PBTP, UL 94V-0 | | | | |
| 538-502380-1000 | 502380-1000 | A | 10 | 15.60 | 13.75 | PBTP, UL 94V-0 | | | | |
| 538-502380-1400 | 502380-1400 | A | 14 | 20.60 | 18.75 | PBTP, UL 94V-0 | | | | |
| 538-502380-1500 | 502380-1500 | A | 15 | 21.85 | 20.00 | PBTP, UL 94V-0 | | | | |
| 2.0mm Pitch - Series 502439 - Use with Series 502443 or 502494 | | | | | | | | | | |
| 538-502439-0400 | 502439-0400 | B | 4 | 12.00 | 6.00 | PBTP, UL 94V-0 | | | | |
| 538-502439-0600 | 502439-0600 | B | 6 | 16.00 | 10.00 | PBTP, UL 94V-0 | | | | |
| 538-502439-0800 | 502439-0800 | B | 8 | 20.00 | 14.00 | PBTP, UL 94V-0 | | | | |
| 538-502439-1200 | 502439-1200 | B | 12 | 28.00 | 22.00 | PBTP, UL 94V-0 | | | | |
| 538-502439-1400 | 502439-1400 | B | 14 | 32.00 | 26.00 | PBTP, UL 94V-0 | | | | |



VERTICAL HEADERS

For quantities of 1000 and up, call for quote.

| MOUSER STOCK NO. | Molex Part No. | Fig. | No. of Circuits | Dimensions: mm | | Housing Material | Price Each | | | |
|--|----------------|------|-----------------|----------------|-------|------------------|------------|----|-----|-----|
| | | | | A | B | | 1 | 10 | 100 | 500 |
| 1.25mm Pitch - Series 502382 - Use with Series 502380 | | | | | | | | | | |
| 538-502382-0270 | 502382-0270 | C | 2 | 5.85 | 4.75 | PBTP, UL 94V-0 | | | | |
| 538-502382-0370 | 502382-0370 | C | 3 | 7.10 | 6.00 | PBTP, UL 94V-0 | | | | |
| 538-502382-0470 | 502382-0470 | C | 4 | 8.35 | 7.25 | PBTP, UL 94V-0 | | | | |
| 538-502382-0570 | 502382-0570 | C | 5 | 9.60 | 8.50 | PBTP, UL 94V-0 | | | | |
| 538-502382-0670 | 502382-0670 | C | 6 | 10.85 | 9.75 | PBTP, UL 94V-0 | | | | |
| 538-502382-0870 | 502382-0870 | C | 8 | 13.35 | 12.25 | PBTP, UL 94V-0 | | | | |
| 538-502382-1070 | 502382-1070 | C | 10 | 15.85 | 14.75 | PBTP, UL 94V-0 | | | | |
| 538-502382-1470 | 502382-1470 | C | 14 | 20.85 | 19.75 | PBTP, UL 94V-0 | | | | |
| 538-502382-1570 | 502382-1570 | C | 15 | 22.10 | 21.00 | PBTP, UL 94V-0 | | | | |
| 2.0mm Pitch - Series 502443 - Use with Series 502439 | | | | | | | | | | |
| 538-502443-0470 | 502443-0470 | D | 4 | 12.00 | 6.00 | PBTP, UL 94V-0 | | | | |
| 538-502443-0670 | 502443-0670 | D | 6 | 16.00 | 10.00 | PBTP, UL 94V-0 | | | | |
| 538-502443-0870 | 502443-0870 | D | 8 | 20.00 | 14.00 | PBTP, UL 94V-0 | | | | |
| 538-502443-1270 | 502443-1270 | D | 12 | 28.00 | 22.00 | PBTP, UL 94V-0 | | | | |
| 538-502443-1470 | 502443-1470 | D | 14 | 32.00 | 26.00 | PBTP, UL 94V-0 | | | | |

RIGHT ANGLE HEADERS

For quantities of 1000 and up, call for quote.

| MOUSER STOCK NO. | Molex Part No. | Fig. | No. of Circuits | Dimensions: mm | | Housing Material | Price Each | | | |
|--|----------------|------|-----------------|----------------|-------|------------------|------------|----|-----|-----|
| | | | | A | B | | 1 | 10 | 100 | 500 |
| 1.25mm Pitch - Series 502386 - Use with Series 502380 | | | | | | | | | | |
| 538-502386-0270 | 502386-0270 | E | 2 | 5.85 | 4.75 | PBTP, UL 94V-0 | | | | |
| 538-502386-0370 | 502386-0370 | E | 3 | 7.10 | 6.00 | PBTP, UL 94V-0 | | | | |
| 538-502386-0470 | 502386-0470 | E | 4 | 8.35 | 7.25 | PBTP, UL 94V-0 | | | | |
| 538-502386-0570 | 502386-0570 | E | 5 | 9.60 | 8.50 | PBTP, UL 94V-0 | | | | |
| 538-502386-0670 | 502386-0670 | E | 6 | 10.85 | 9.75 | PBTP, UL 94V-0 | | | | |
| 538-502386-0870 | 502386-0870 | E | 8 | 13.35 | 12.25 | PBTP, UL 94V-0 | | | | |
| 538-502386-1070 | 502386-1070 | E | 10 | 15.85 | 14.75 | PBTP, UL 94V-0 | | | | |
| 538-502386-1470 | 502386-1470 | E | 14 | 20.85 | 19.75 | PBTP, UL 94V-0 | | | | |
| 538-502386-1570 | 502386-1570 | E | 15 | 22.10 | 21.00 | PBTP, UL 94V-0 | | | | |
| 2.0mm Pitch - Series 502494 - Use with Series 502439 | | | | | | | | | | |
| 538-502494-0470 | 502494-0470 | F | 4 | 12.00 | 6.00 | PBTP, UL 94V-0 | | | | |
| 538-502494-0670 | 502494-0670 | F | 6 | 16.00 | 10.00 | PBTP, UL 94V-0 | | | | |
| 538-502494-0870 | 502494-0870 | F | 8 | 20.00 | 14.00 | PBTP, UL 94V-0 | | | | |
| 538-502494-1270 | 502494-1270 | F | 12 | 28.00 | 22.00 | PBTP, UL 94V-0 | | | | |
| 538-502494-1470 | 502494-1470 | F | 14 | 32.00 | 26.00 | PBTP, UL 94V-0 | | | | |

TERMINALS

For quantities of 1000 and up, call for quote.

| MOUSER STOCK NO. | Molex Part No. | Fig. | Pitch | AWG | Plating | Use with Housing Series: | Price Each | | | |
|------------------|----------------|------|--------|---------|---------|--------------------------|------------|----|-----|-----|
| | | | | | | | 1 | 10 | 100 | 500 |
| 538-502381-0000 | 502381-0000 | - | 1.25mm | 26 - 28 | Tin | 502380 | | | | |
| 538-502438-0100 | 502438-0100 | - | 2.0mm | 22 - 26 | Tin | 502439 | | | | |

TOOLING

| MOUSER STOCK NO. | Molex Part No. | Fig. | Description | AWG | Price Each |
|------------------|----------------|------|---------------------------------|-------|------------|
| 538-63819-2800 | 63819-2800 | - | Crimp Hand Tool for 502438-0100 | 22-26 | |
| 538-63819-4400 | 63819-4400 | - | Crimp Hand Tool for 502381-0000 | 26-28 | |

Molex Rectangular Connectors