

MOLEX SlimStack™ SMT Board-to-Board Connectors



This page of product is compliant.



RoHS Compliant

0.635 (.025") PITCH SLIMSTACK™ SMT CONNECTORS

Features:

- Cantilever type gold contacts
- Beam on blade contact
- Metal friction lock
- High-temp LCP housing
- Shrouded plugs and receptacles

Specifications:

- Contact plating: Gold
- Mounting style: Vertical
- Termination style: SMT
- Current rating: 0.5A max
- Voltage: 100V max

6.0mm Height

For quantities of 100 and up, call for quote.

MOUSER STOCK NO.	Molex Part No.	Fig.	Number of Circuits	Description	Price Each			
					1	10	25	50
Plugs								
538-55091-0274	55091-0274	A	20	With Solder Tabs, Black				
538-55091-0474	55091-0474	A	40	With Solder Tabs, Black				
538-55091-0674	55091-0674	A	60	With Solder Tabs, Black				
538-55091-1674	55091-1674	A	160	With Solder Tabs, Black				
Receptacles								
538-52885-0274	52885-0274	B	20	With Solder Tabs, White				
538-52885-0474	52885-0474	B	40	With Solder Tabs, White				
538-52885-0674	52885-0674	B	60	With Solder Tabs, White				
538-52885-1674	52885-1674	B	160	With Solder Tabs, White				

8.0mm Height

For quantities of 100 and up, call for quote.

MOUSER STOCK NO.	Molex Part No.	Fig.	Number of Circuits	Description	Price Each			
					1	10	25	50
Plugs								
538-53647-0274	53647-0274	C	20	With Solder Tabs, Black				
538-53647-0474	53647-0474	C	40	With Solder Tabs, Black				
538-53647-1674	53647-1674	C	160	With Solder Tabs, Black				
Receptacles								
538-52885-0274	52885-0274	B	20	With Solder Tabs, White				
538-52885-0474	52885-0474	B	40	With Solder Tabs, White				
538-52885-1674	52885-1674	B	160	With Solder Tabs, White				

10mm Height

For quantities of 100 and up, call for quote.

MOUSER STOCK NO.	Molex Part No.	Fig.	Number of Circuits	Description	Price Each			
					1	10	25	50
Plugs								
538-53627-0474	53627-0474	D	40	With Solder Tabs, Black				
538-53627-0674	53627-0674	D	60	With Solder Tabs, Black				
538-53627-0874	53627-0874	D	80	With Solder Tabs, Black				
Receptacles								
538-52885-0474	52885-0474	B	40	With Solder Tabs, White				
538-52885-0674	52885-0674	B	60	With Solder Tabs, White				
538-52885-0874	52885-0874	B	80	With Solder Tabs, White				

12mm Height

For quantities of 100 and up, call for quote.

MOUSER STOCK NO.	Molex Part No.	Fig.	Number of Circuits	Description	Price Each			
					1	10	25	50
Plugs								
538-55091-0274	55091-0274	A	20	With Solder Tabs, Black				
538-55091-0474	55091-0474	A	40	With Solder Tabs, Black				
538-55091-0674	55091-0674	A	60	With Solder Tabs, Black				
Receptacles								
538-52901-0274	52901-0274	E	20	With Solder Tabs, White				
538-52901-0474	52901-0474	E	40	With Solder Tabs, White				
538-52901-0674	52901-0674	E	60	With Solder Tabs, White				

14mm Height

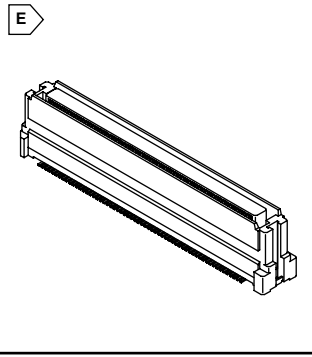
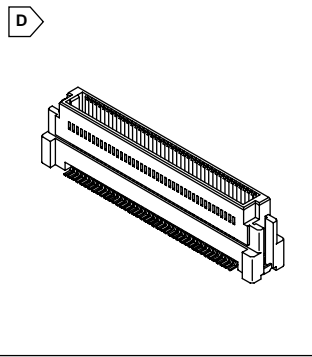
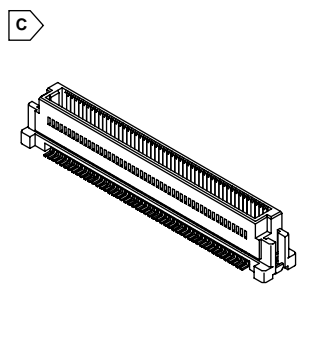
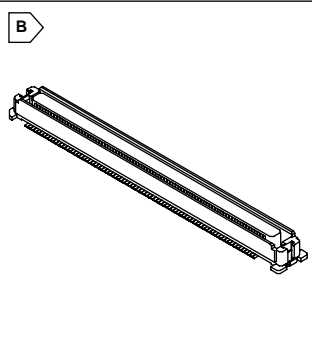
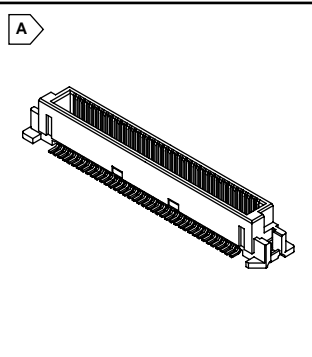
For quantities of 100 and up, call for quote.

MOUSER STOCK NO.	Molex Part No.	Fig.	Number of Circuits	Description	Price Each			
					1	10	25	50
Plugs								
538-53647-0274	53647-0274	C	20	With Solder Tabs, Black				
538-53647-0474	53647-0474	C	40	With Solder Tabs, Black				
Receptacles								
538-52901-0274	52901-0274	E	20	With Solder Tabs, White				
538-52901-0474	52901-0474	E	40	With Solder Tabs, White				

16mm Height

For quantities of 100 and up, call for quote.

MOUSER STOCK NO.	Molex Part No.	Fig.	Number of Circuits	Description	Price Each			
					1	10	25	50
Plugs								
538-53627-0474	53627-0474	D	40	With Solder Tabs, Black				
538-53627-0674	53627-0674	D	60	With Solder Tabs, Black				
538-53627-0874	53627-0874	D	80	With Solder Tabs, Black				
Receptacles								
538-52901-0474	52901-0474	E	40	With Solder Tabs, White				
538-52901-0674	52901-0674	E	60	With Solder Tabs, White				
538-52901-0874	52901-0874	E	80	With Solder Tabs, White				



NEW AT MOUSER

Rectangular Connectors

Molex

NEW AT MOUSER