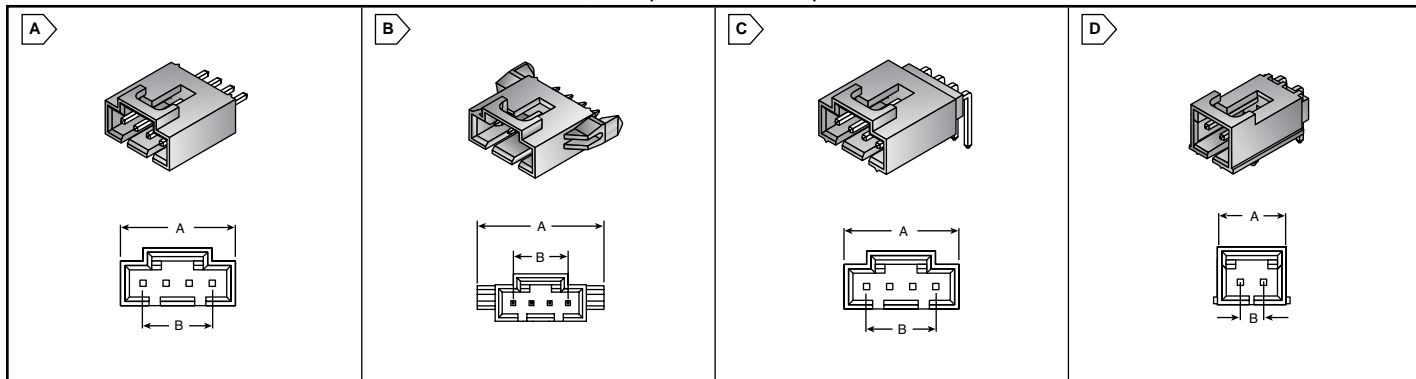


# MOLEX 2.54mm (.100") SL™ Shrouded PCB Headers

**molex**  
one company a world of innovation

RoHS Compliant This product is RoHS compliant.



## SINGLE ROW, VERTICAL

### Specifications:

- Housing: Black glass filled PCT, UL 94V-0
- Contact: Phosphor bronze, .025" square
- Operating Temperature: -40 to +105°C
- Voltage: 250V
- Current: 3.0A
- .120" Pocket



### PCB Headers

#### Features:

- Locking crown secures positive latch to header
- Standoffs minimize flux retention
- Polarization slots guide front ribs of mating connector to prevent pin damage
- Mates with series 70066
- Surface mount compatible
- Wire to board
- RoHS Compliant per Molex documentation

For quantities of 1000 and up, call for quote.

MOUSER STOCK NO.	Molex Part No.	Fig.	No. of Cir.	Contact Plating	Dim. (in.)		Price Each			
					A	B	1	10	100	500
538-70543-0036	70543-0036	A	2	Tin	.29	.10				
538-70543-0001	70543-0001	A	2	15µ" Gold	.29	.10				
538-70543-0106	70543-0106	A	2	30µ" Gold	.29	.10				
538-70543-0037	70543-0037	A	3	Tin	.40	.20				
538-70543-0002	70543-0002	A	3	15µ" Gold	.40	.20				
538-70543-0107	70543-0107	A	3	30µ" Gold	.40	.20				
538-70543-0038	70543-0038	A	4	Tin	.50	.30				
538-70543-0003	70543-0003	A	4	15µ" Gold	.50	.30				
538-70543-0108	70543-0108	A	4	30µ" Gold	.50	.30				
538-70543-0039	70543-0039	A	5	Tin	.60	.40				
538-70543-0004	70543-0004	A	5	15µ" Gold	.60	.40				
538-70543-0109	70543-0109	A	5	30µ" Gold	.60	.40				
538-70543-0040	70543-0040	A	6	Tin	.70	.50				
538-70543-0005	70543-0005	A	6	15µ" Gold	.70	.50				
538-70543-0110	70543-0110	A	6	30µ" Gold	.70	.50				
538-70543-0006	70543-0006	A	7	15µ" Gold	.80	.60				
538-70543-0042	70543-0042	A	8	Tin	.90	.70				
538-70543-0007	70543-0007	A	8	15µ" Gold	.90	.70				
538-70543-0112	70543-0112	A	8	30µ" Gold	.90	.70				
538-705430008	70543-0008	A	9	15µ" Gold	1.00	.80				
538-70543-0044	70543-0044	A	10	Tin	1.10	.90				
538-705430009	70543-0009	A	10	15µ" Gold	1.10	.90				
538-70543-0010	70543-0010	A	11	15µ" Gold	1.20	1.00				
538-70543-0011	70543-0011	A	12	15µ" Gold	1.30	1.10				

## Headers with Plastic Tri-Peg

### Features:

- Locking crown secures positive latch to header
- Standoffs minimize flux retention
- Polarization slots guide front ribs of mating connector to prevent pin damage
- Mates with series 70066
- Surface mount compatible
- Wire to board
- RoHS Compliant per Molex documentation



For quantities of 1000 and up, call for quote.

MOUSER STOCK NO.	Molex Part No.	Fig.	No. of Cir.	Contact Plating	Dim. (in.)		Price Each			
					A	B	1	10	100	500
538-70545-0001	70545-0001	B	2	Tin	.488	.10				
538-70545-0036	70545-0036	B	2	15µ" Gold	.488	.10				
538-70545-0071	70545-0071	B	2	30µ" Gold	.488	.10				
538-70545-0002	70545-0002	B	3	Tin	.588	.20				
538-70545-0037	70545-0037	B	3	15µ" Gold	.588	.20				
538-70545-0072	70545-0072	B	3	30µ" Gold	.588	.20				
538-70545-0003	70545-0003	B	4	Tin	.69	.30				
538-70545-0038	70545-0038	B	4	15µ" Gold	.688	.30				
538-70545-0073	70545-0073	B	4	30µ" Gold	.688	.30				
538-70545-0039	70545-0039	B	5	15µ" Gold	.788	.40				
538-70545-0074	70545-0074	B	5	30µ" Gold	.79	.40				
538-70545-0005	70545-0005	B	6	Tin	.89	.50				
538-70545-0040	70545-0040	B	6	15µ" Gold	.888	.50				
538-70545-0075	70545-0075	B	6	30µ" Gold	.888	.50				
538-70545-0041	70545-0041	B	7	15µ" Gold	.988	.60				
538-70545-0042	70545-0042	B	8	15µ" Gold	1.088	.70				
538-70545-0077	70545-0077	B	8	30µ" Gold	1.09	.70				
538-70545-0043	70545-0043	B	9	15µ" Gold	1.19	.80				
538-70545-0044	70545-0044	B	10	15µ" Gold	1.288	.90				
538-70545-0079	70545-0079	B	10	30µ" Gold	1.288	.90				
538-70545-0046	70545-0046	B	12	15µ" Gold	1.488	1.10				

## SINGLE ROW, RIGHT ANGLE, LOW PROFILE

### Specifications:

- Housing: Black glass filled PCT, UL 94V-0
- Contact: Phosphor bronze, .025" square
- Operating Temperature: -40 to +105°C
- Voltage: 250V
- Current: 3.0A
- .120" Pocket



### PCB Headers

#### Features:

- Locking crown secures positive latch to header
- Polarization slots guide front ribs of mating connector to prevent pin damage
- Standoffs minimize flux retention
- Surface mount compatible
- Housing: Black glass filled PCT, UL 94V-0
- Contact: Phosphor bronze, .025" square
- Mates with series 70066
- Wire to board
- RoHS Compliant per Molex documentation

For quantities of 1000 and up, call for quote.

MOUSER STOCK NO.	Molex Part No.	Fig.	No. of Cir.	Contact Plating	Dim. (in.)		Price Each			
					A	B	1	10	100	500
538-70553-0036	70553-0036	C	2	Tin	.29	.10				
538-70553-0001	70553-0001	C	2	15µ" Gold	.29	.10				
538-70553-0106	70553-0106	C	2	30µ" Gold	.29	.10				
538-70553-0037	70553-0037	C	3	Tin	.40	.20				
538-70553-0002	70553-0002	C	3	15µ" Gold	.40	.20				
538-70553-0038	70553-0038	C	4	Tin	.50	.30				
538-70553-0003	70553-0003	C	4	15µ" Gold	.50	.30				
538-70553-0108	70553-0108	C	4	30µ" Gold	.50	.30				
538-70553-0039	70553-0039	C	5	Tin	.60	.40				
538-70553-0004	70553-0004	C	5	15µ" Gold	.60	.40				
538-70553-0040	70553-0040	C	6	Tin	.70	.50				
538-70553-0005	70553-0005	C	6	15µ" Gold	.70	.50				
538-70553-0006	70553-0006	C	7	15µ" Gold	.80	.60				
538-70553-0007	70553-0007	C	8	15µ" Gold	.90	.70				
538-705530008	70553-0008	C	9	15µ" Gold	1.00	.80				
538-705530009	70553-0009	C	10	15µ" Gold	1.10	.90				
538-70553-0011	70553-0011	C	12	15µ" Gold	1.30	1.10				

## Headers with Plastic Tri-Peg

### Features:

- Locking crown secures positive latch to header
- Polarization slots guide front ribs of mating connector to prevent pin damage
- Standoffs minimize flux retention
- Surface mount compatible
- Mates with series 70066
- Wire to board
- RoHS Compliant per Molex documentation
- Housing: Black glass filled PCT, UL 94V-0
- Contact: Phosphor bronze, .025" square



For quantities of 1000 and up, call for quote.

MOUSER STOCK NO.	Molex Part No.	Fig.	No. of Cir.	Contact Plating	Dim. (in.)		Price Each			
					A	B	1	10	100	500
538-70555-0001	70555-0001	D	2	Tin	.336	.10				
538-70555-0036	70555-0036	D	2	15µ" Gold	.336	.10				
538-70555-0071	70555-0071	D	2	30µ" Gold	.336	.10				
538-70555-0002	70555-0002	D	3	Tin	.436	.20				
538-70555-0037	70555-0037	D	3	15µ" Gold	.436	.20				
538-70555-0072	70555-0072	D	3	30µ" Gold	.436	.20				
538-70555-0003	70555-0003	D	4	Tin	.536	.30				
538-70555-0038	70555-0038	D	4	15µ" Gold	.536	.30				
538-70555-0073	70555-0073	D	4	30µ" Gold	.536	.30				
538-70555-0004	70555-0004	D	5	Tin	.64	.40				
538-70555-0039	70555-0039	D	5	15µ" Gold	.636	.40				
538-70555-0074	70555-0074	D	5	30µ" Gold	.636	.40				
538-70555-0005	70555-0005	D	6	Tin	.736	.50				
538-70555-0040	70555-0040	D	6	15µ" Gold	.736	.50				
538-70555-0075	70555-0075	D	6	30µ" Gold	.74	.50				
538-70555-0041	70555-0041	D	7	15µ" Gold	.836	.60				
538-70555-0042	70555-0042	D	8	15µ" Gold	.936	.70				
538-70555-0077	70555-0077	D	8	30µ" Gold	.94	.70				