

IDC Connectors, Jumpers, Headers and Receptacles

KOBICONN IDC SOCKET CONNECTOR WITH STRAIN RELIEF

RoHS Compliant This product is RoHS compliant.

Specifications:

- .100" spacing
- Rating: 1A

RoHS Compliant
For quantities of 1000 and up, call for quote.

MOUSER STOCK NO.	Fig.	No. of Contacts	Contact Plating	Price Each			
				1	10	100	500
164-9006-E	A	10	Gold over Nickel				
164-9007-E	A	14	Gold over Nickel				
164-9008-E	A	16	Gold over Nickel				
164-9001-E	A	20	Gold over Nickel				
164-9010-E	A	24	Gold over Nickel				
164-9002-E	A	26	Gold over Nickel				
164-9003-E	A	34	Gold over Nickel				
164-9004-E	A	40	Gold over Nickel				
164-9005-E	A	50	Gold over Nickel				

KOBICONN IDC DIP FLAT CABLE PLUGS

Specifications:

- Current rating: 1A
- Insulation resistance: 10¹⁰ Ω
- Breakdown voltage: 500VDC
- IDC wire size: 28 AWG/.050" Spacing

Features:

- IDC mass termination
- Gold plated contacts
- Mates with .050" flat cable

RoHS Compliant
For quantities of 1000 and up, call for quote.

MOUSER STOCK NO.	Fig.	No. of Contacts	Contact Plating	Price Each			
				1	10	100	500
151-2P14-E	B	14	.100 x .300				
151-2P16-E	B	16	.100 x .300				
151-2P24-E	B	24	.100 x .300				
151-2P40-E	B	40	.100 x .600				

KOBICONN SHORTING JUMPERS

Specifications:

- Fits all standard .100" space headers
- Low insertion and withdrawal forces
- Nail grip for easy removal

- Phosphor bronze gold flash over nickel
- Open-ended option permits stacking and probe testing
- Operating temperature: 55°C to 105°C

RoHS Compliant
For quantities of 2000 and up, call for quote.

MOUSER STOCK NO.	Fig.	Color	Contact Plating	Price Each			
				1	10	100	500
151-8000-E	C	Black	Open				
151-8001-E	C	Blue	Open				
151-8003-E	C	Red	Open				
151-8010-E	C	Black	Closed				
151-8011-E	C	Blue	Closed				
151-8013-E	C	Red	Closed				

KOBICONN THUMB PULL SHORTING JUMPERS

Specifications:

- Current rating: 1A
- Contact resistance: 15mΩ

- Insertion force: 80g
- Withdrawal force: 112g
- Gold plated contacts

RoHS Compliant
For quantities of 2000 and up, call for quote.

MOUSER STOCK NO.	Fig.	Color	Price Each			
			1	100	500	1000
151-8030-E	D	Black				
151-8031-E	D	Blue				
151-8033-E	D	Red				

KOBICONN DIP THROUGH PIN COMPONENT HEADERS

Specifications:

- Insulator: PBT 30% glass filled polyester
- Contact: precision machined, gold plated brass
- Pin: gold plated brass

- Current rating: 1A
- Temperature range: -55°C to +125°C

RoHS Compliant
For quantities of 2000 and up, call for quote.

MOUSER STOCK NO.	Fig.	No. of Pins	Pin Spacing: (IN)	Price Each			
				1	100	500	1000
151-23169	E	16	.30 x .100				
151-23149	E	14	.30 x .100				

NORCOMP 2MM HEADERS/RECEPTACLES

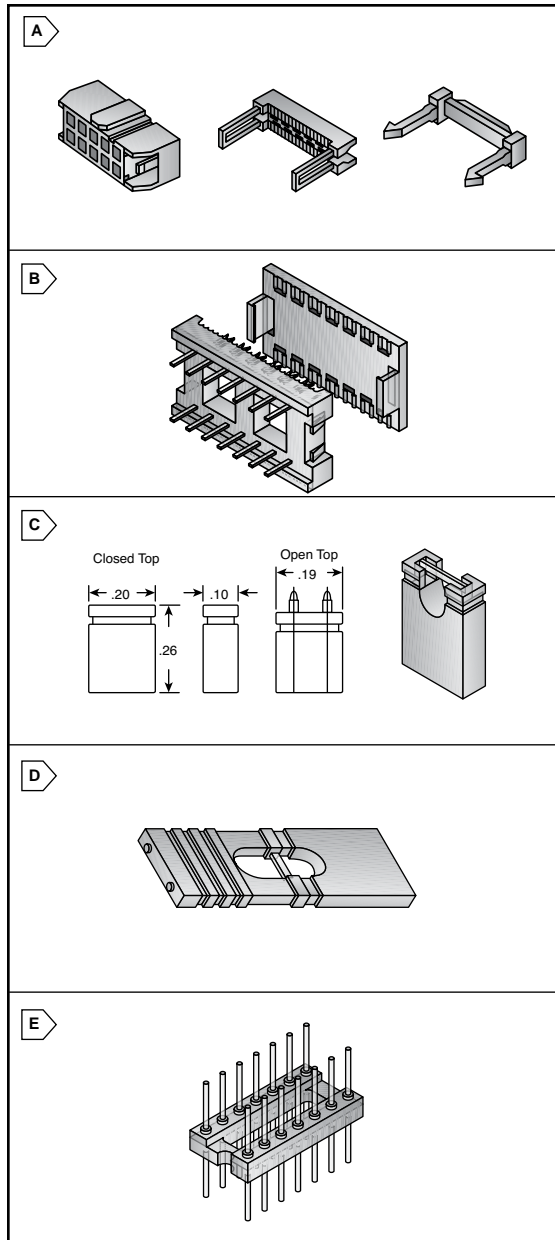
Features:

- .079" spacing for real estate savings
- Insulator: Glass-filled thermoplastic, Black, U.L. rated 94V-0

- Plating: Gold Flash Entire Contact
- Contacts: Phosphor bronze

RoHS Compliant
For quantities of 250 and up, call for quote.

MOUSER STOCK NO.	NorComp Part No.	Fig.	No. of Positions	Description	Price Each		
					1	25	50
Headers							
636-26630201RP2	26630201RP2	A	1X2	Straight			
636-26630301RP2	26630301RP2	A	1X3	Straight			
636-27630502RP2	27630502RP2	B	1X5	Right Angle			
636-26630701RP2	26630701RP2	A	1X7	Straight			
636-26631101RP2	26631101RP2	A	1X11	Straight			
636-26633601RP2	26633601RP2	A	1X36	Straight			
636-2664-06-01RP2	2664-06-01RP2	C	2X6	Straight			
636-26642601RP2	26642601RP2	C	2X26	Straight			
Receptacles							
636-25630301RP2	25630301RP2	D	1X3	Vertical			
636-25630401RP2	25630401RP2	D	1X4	Vertical			
636-25630701RP2	25630701RP2	D	1X7	Vertical			
636-25630901RP2	25630901RP2	D	1X9	Vertical			
636-25631001RP2	25631001RP2	D	1X10	Vertical			
636-28630606RP2	28630606RP2	E	1X6	Vertical SMT			
636-28642006RP2	28642006RP2	F	2X20	Vertical SMT			
636-28642606RP2	28642606RP2	F	2X26	Vertical SMT			



Rectangular Connectors

