

JAE Connectors



This product is RoHS compliant.

MX19 SERIES 2.5MM WATERPROOF CABLE-TO-CABLE CONNECTORS

- Mechanical lock system enables complete mating with a click
- Current Rating: 5A
- Rear cover protects the grommet from damage on terminal insertion
- Insulation Resistance: 100 Megohm min.
- Terminals have a two-plate spring mechanism with long beam length, which results in a low force insertion and stress dispersion
- Waterproofing: Compliant with JIS D0203 S1
- Contact Spacing 2.5mm (.098")
- Applicable wire: Type CAVS,AVSS, 22-20AWG

For quantities of 100 and up, call for quote.

MOUSER STOCK NO.	JAE Part No.	Fig.	No. of Pos.	Description	Price Each			
					1	10	25	50
656-MX19002P51	MX19002P51	A	2	Pin Housing Black				
656-MX19004P51	MX19004P51	A	4	Pin Housing Black				
656-MX19002S51	MX19002S51	B	2	Socket Housing Black				
656-MX19004S51	MX19004S51	B	4	Socket Housing Black				
Contacts								
656-MX19P10K451	MX19P10K451-C100	-	-	Crimp Pin Contact				
656-MX19S10K451	MX19S10K451-C100	-	-	Crimp Socket Contact				

MX23 SERIES 2.5MM WATERPROOF WIRE TO BOARD CONNECTORS

- Full water proof grommet is used for socket contact crimping area in order to reduce size
- Contact Spacing 2.5mm (.098")
- Current Rating: 3A
- Low profile type with board mounting height of 18.3 mm and socket connector height of 22.2mm max.
- Applicable wire: Type AVSS, AVS, 22-16AWG
- Dielectric withstanding voltage: 1000 VACr.m.s. (1 minute)

For quantities of 100 and up, call for quote.

MOUSER STOCK NO.	JAE Part No.	Fig.	No. of Pos.	Description	Price Each			
					1	10	25	50
656-MX23A18NF1	MX23A18NF1	C	18	Pin Header				
656-MX23A26NF1	MX23A26NF1	C	26	Pin Header				
656-MX23A34NF1	MX23A34NF1	C	34	Pin Header				
656-MX23A18SF1	MX23A18SF1	D	18	Socket Housing				
656-MX23A26SF1	MX23A26SF1	D	26	Socket Housing				
656-MX23A34SF1	MX23A34SF1	D	34	Socket Housing				
656-MX23A18XF1	MX23A18XF1	E	18	Front Cap				
656-MX23A26XF1	MX23A26XF1	E	26	Front Cap				
656-MX23A34XF1	MX23A34XF1	E	34	Front Cap				
Contacts								
656-M23S05K351	M23S05K351	-	-	Crimp Socket Contact				
656-M120-55780	M120-55780	-	-	Dummy Plug				

IL-Z SERIES 1.25MM SMT PCB TO CABLE CRIMP CONNECTORS

- Low Profile, 3.45mm above board
- Operating Temperature: -40° to +70°C
- AWG Range: 28-30
- Pin headers suited for automatic packaging
- RoHS Compliance per JAE documentation
- Crimp contacts sold separately
- Crimp to wire sockets
- Current Rating: 1 A

For quantities of 100 and up, call for quote.

MOUSER STOCK NO.	JAE Part No.	Fig.	No. of Pos.	Description	Price Each			
					1	10	25	50
656-IL-Z-2PL-SMTYE	IL-Z-2PL-SMTYE	F	2	Right Angle SMT Pin Header				
656-IL-Z-5PL-SMTYE	IL-Z-5PL-SMTYE	F	5	Right Angle SMT Pin Header				
656-IL-Z-6PL-SMTYE	IL-Z-6PL-SMTYE	F	6	Right Angle SMT Pin Header				
656-IL-Z-7PL-SMTYE	IL-Z-7PL-SMTYE	F	7	Right Angle SMT Pin Header				
656-IL-Z-8PL-SMTYE	IL-Z-8PL-SMTYE	F	8	Right Angle SMT Pin Header				
656-IL-Z-9PL-SMTYE	IL-Z-9PL-SMTYE	F	9	Right Angle SMT Pin Header				
656-IL-Z-10PL-SMTYE	IL-Z-10PL-SMTYE	F	10	Right Angle SMT Pin Header				
656-IL-Z-12PL-SMTYE	IL-Z-12PL-SMTYE	F	12	Right Angle SMT Pin Header				
656-IL-Z-15PL-SMTYE	IL-Z-15PL-SMTYE	F	15	Right Angle SMT Pin Header				
656-IL-Z-2S-S125C3	IL-Z-2S-S125C3	G	2	Socket Housing				
656-IL-Z-5S-S125C3	IL-Z-5S-S125C3	G	5	Socket Housing				
656-IL-Z-6S-S125C3	IL-Z-6S-S125C3	G	6	Socket Housing				
656-IL-Z-7S-S125C3	IL-Z-7S-S125C3	G	7	Socket Housing				
656-IL-Z-8S-S125C3	IL-Z-8S-S125C3	G	8	Socket Housing				
656-IL-Z-9S-S125C3	IL-Z-9S-S125C3	G	9	Socket Housing				
656-IL-Z-10S-S125C3	IL-Z-10S-S125C3	G	10	Socket Housing				
656-IL-Z-12S-S125C3	IL-Z-12S-S125C3	G	12	Socket Housing				
656-IL-Z-15S-S125C3	IL-Z-15S-S125C3	G	15	Socket Housing				
Contacts								
656-IL-Z-C3-A-15000	IL-Z-C3-A-15000	-	-	Crimp Contacts 28-30 AWG				

TOOL

For quantities of 5 and up, call for quote.

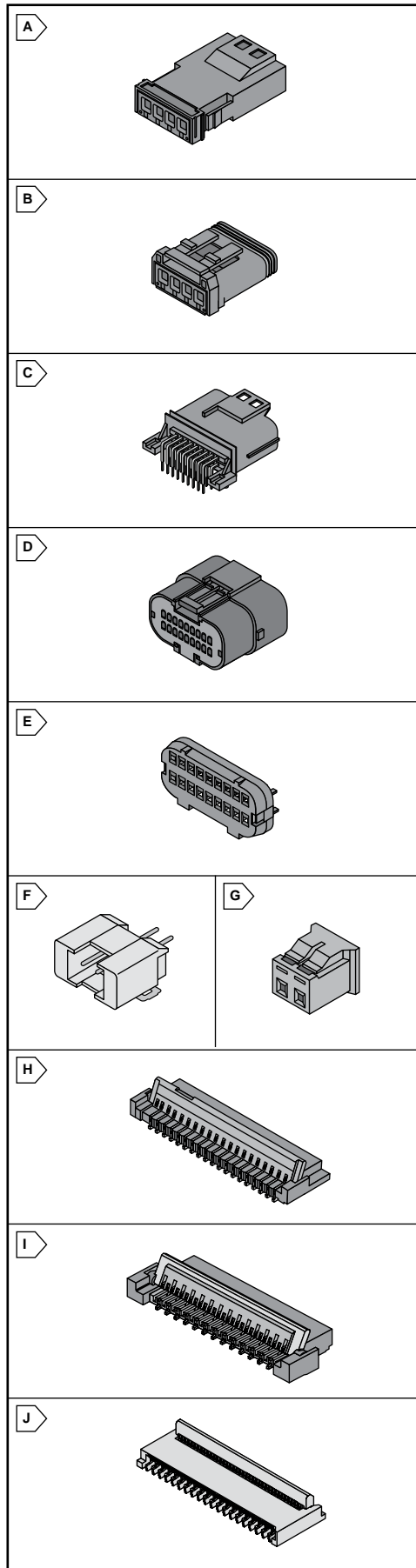
MOUSER STOCK NO.	JAE Part No.	Description	Price Each
656-CT150-4C-ILZ	CT150-4C-ILZ	Hand Crimp Tool	

FB3, FB6 AND FB8 SERIES 0.30MM SMT BOARD-TO-FLEX CONNECTORS

- Easy handling due to easy rotation of actuator
- LIF (Low Insertion Force) structure for one-touch FPC
- Current Rating: 0.35A per contact
- FB8 features "Backflip" actuator for superior cable retention
- Voltage Rating: AC, DC 50 V per contact
- RoHS Compliance per JAE documentation

For quantities of 100 and up, call for quote.

MOUSER STOCK NO.	JAE Part No.	Fig.	No. of Pos.	Description	Price Each			
					1	10	25	50
656-FB3S025C11	FB3S025C11	H	25	1.9mm Height Bottom Contacts				
656-FB3S045C11	FB3S045C11	H	45	1.9mm Height Bottom Contacts				
656-FB3S061C11	FB3S061C11	H	61	1.9mm Height Bottom Contacts				
656-FB6S015JA1	FB6S015JA1	I	15	1.2mm Height Bottom Contacts				
656-FB6S017JA1	FB6S017JA1	I	17	1.2mm Height Bottom Contacts				
656-FB6S021JA1	FB6S021JA1	I	21	1.2mm Height Bottom Contacts				
656-FB6S025JA1	FB6S025JA1	I	25	1.2mm Height Bottom Contacts				
656-FB6S027JA1	FB6S027JA1	I	27	1.2mm Height Bottom Contacts				
656-FB6S029JA1	FB6S029JA1	I	29	1.2mm Height Bottom Contacts				
656-FB6S033JA1	FB6S033JA1	I	33	1.2mm Height Bottom Contacts				
656-FB6S039JA1	FB6S039JA1	I	39	1.2mm Height Bottom Contacts				
656-FB6S045JA1	FB6S045JA1	I	45	1.2mm Height Bottom Contacts				
656-FB6S051JA1	FB6S051JA1	I	51	1.2mm Height Bottom Contacts				
656-FB6S053JA1	FB6S053JA1	I	53	1.2mm Height Bottom Contacts				
656-FB6S057JA1	FB6S057JA1	I	57	1.2mm Height Bottom Contacts				
656-FB6S059JA1	FB6S059JA1	I	59	1.2mm Height Bottom Contacts				
656-FB8S023JA1	FB8S023JA1	J	23	1.2mm Height Upper Contacts				
656-FB8S029JA1	FB8S029JA1	J	29	1.2mm Height Upper Contacts				
656-FB8S031JA1	FB8S031JA1	J	31	1.2mm Height Upper Contacts				
656-FB8S033JA1	FB8S033JA1	J	33	1.2mm Height Upper Contacts				
656-FB8S039JA1	FB8S039JA1	J	39	1.2mm Height Upper Contacts				



JAE Rectangular Connectors