


JAE Surface Mount Board-to-Board Connectors

 This product is RoHS compliant.

AA03 SERIES 0.4MM STACKING TYPE BOARD-TO-BOARD CONNECTORS

Specifications:

- Rated Current: 0.4A Per Position
- Rated Voltage: 50V AC/DC
- Stacking Height 1.0mm
- Ideal for Slim Low-Profiled High Density Mounting Requirements
- Drop Impact / Vibration Resistant
- Separate 2-point Contact Design to Resist Twisting Stress



RoHS Compliant

For quantities of 100 and up, call for quote.

MOUSER STOCK NO.	JAE Part No.	Fig.	No. of Pos.	Description	Price Each			
					1	10	25	50
656-AA03P020VA2	AA03-P020VA2	A	20	Plug				
656-AA03P022VA2	AA03-P022VA2	A	22	Plug				
656-AA03P024VA2	AA03-P024VA2	A	24	Plug				
656-AA03P030VA2	AA03-P030VA2	A	30	Plug				
656-AA03P036VA2	AA03-P036VA2	A	36	Plug				
656-AA03P040VA2	AA03-P040VA2	A	40	Plug				
656-AA03P050VA2	AA03-P050VA2	A	50	Plug				
656-AA03P064VA2	AA03-P064VA2	A	64	Plug				
656-AA03S020VA1	AA03-S020VA1	B	20	Receptacle				
656-AA03S022VA1	AA03-S022VA1	B	22	Receptacle				
656-AA03S024VA1	AA03-S024VA1	B	24	Receptacle				
656-AA03S030VA1	AA03-S030VA1	B	30	Receptacle				
656-AA03S036VA1	AA03-S036VA1	B	36	Receptacle				
656-AA03S040VA1	AA03-S040VA1	B	40	Receptacle				
656-AA03S050VA1	AA03-S050VA1	B	50	Receptacle				
656-AA03S064VA1	AA03-S064VA1	B	64	Receptacle				

WR SERIES 0.50MM LOW PROFILE SMT BOARD-TO-BOARD CONNECTORS

Specifications:

- For connection between parallel boards spaced 4 to 9mm
- Ribbon type contacts ensure reliable electrical continuity, resisting twisting force of coupling
- RoHS Compliance per JAE documentation
- Current Rating: 0.3A
- Operating Temperature: -40° to +85°C



RoHS Compliant

* With Polarizing Boss

For quantities of 100 and up, call for quote.

MOUSER STOCK NO.	JAE Part No.	Fig.	No. of Pos.	Description	Price Each			
					1	10	25	50
Receptacles								
656-WR-30S-VFH30-N1	WR-30S-VFH30-N1	C	30	7mm height				
656-WR-40S-VFH30-N1	WR-40S-VFH30-N1	C	40	7mm height				
656-WR-40S-VF-N1	WR-40S-VF-N1	C	40	4mm height				
656-WR-80S-VF-N1	WR-80S-VF-N1	C	80	4mm height				
*656-WR-80SB-VF-N1	WR-80SB-VF-N1	C	80	4mm height				
656-WR-100S-VF-N1	WR-100S-VF-N1	C	100	4mm height				
656-WR-120S-VF-N1	WR-120S-VF-N1	C	120	4mm height				
*656-WR-120SB-VF-N1	WR-120SB-VF-N1	C	120	4mm height				
*656-WR-160SB-VF-N1	WR-160SB-VF-N1	C	160	4mm height				
Plugs								
656-WR-30P-VF50-N1	WR-30P-VF50-N1	D	30	5mm height				
656-WR-40P-VF-N1	WR-40P-VF-N1	D	40	4mm height				
656-WR-40P-HFHD-A1E	WR-40P-HF-HD-A1E	D	40	4mm height, right angle				
656-WR-80P-VF-N1	WR-80P-VF-N1	D	80	4mm height				
*656-WR-80PB-VF-N1	WR-80PB-VF-N1	D	80	3mm height				
656-WR-100P-VF-N1	WR-100P-VF-N1	D	100	4mm height				
656-WR-120P-VF-N1	WR-120P-VF-N1	D	120	4mm height				
656-WR-120P-HF-HDA1E	WR-120P-HF-HD-A1E	D	120	4mm height, right angle				
*656-WR-120PB-VF-N1	WR-120PB-VF-N1	D	120	3mm height				
*656-WR-160PB-VF50-N1	WR-160PB-VF50-N1	D	160	5mm height				

IL-312 SERIES 0.50MM LOW PROFILE SMT BOARD-TO-BOARD CONNECTORS

Specifications:

- For connection between parallel boards spaced 2.5 to 3.5mm
- Black heat resistant insulators
- Contacts: Copper Alloy
- Current Rating: 0.3A
- Operating Temperature: -40° to +85°C
- For use in applications that require boards to be stacked
- RoHS Compliance per JAE documentation

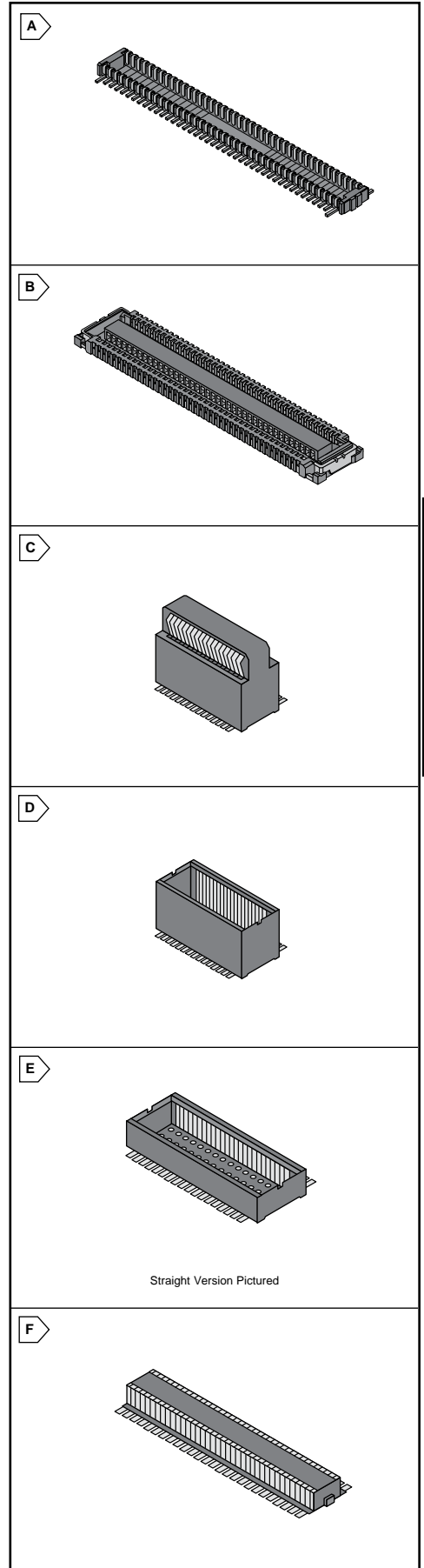


RoHS Compliant

* Location Boss

For quantities of 100 and up, call for quote.

MOUSER STOCK NO.	JAE Part No.	Fig.	No. of Pos.	Description	Price Each			
					1	10	25	50
Receptacles								
656-IL-312-A20S-VFA1	IL-312-A20S-VF-A1	E	20	2.15mm height				
656-IL-312-A40S-VFA1	IL-312-A40S-VF-A1	E	40	2.15mm height				
656-IL-312-A50S-VFA1	IL-312-A50S-VF-A1	E	50	2.15mm height				
656-IL-312-A80S-VFA1	IL-312-A80S-VF-A1	E	80	2.15mm height				
656-IL-312-A100SVFA1	IL-312-A100S-VF-A1	E	100	2.15mm height				
*656-IL-312A100SBVFA1	IL-312-A100SB-VF-A1	E	100	2.15mm height				
Plugs								
656-IL-312-A20P-VFA1	IL-312-A20P-VF-A1	F	20	1.55mm height				
656-IL-312-A40P-VFA1	IL-312-A40P-VF-A1	F	40	1.55mm height				
656-IL-312-A50P-VFA1	IL-312-A50P-VF-A1	F	50	1.55mm height				
656-IL-312-A80P-VFA1	IL-312-A80P-VF-A1	F	80	1.55mm height				
656-IL312A100PVFA1	IL312A100P-VF-A1	F	100	1.55mm height				



Rectangular Connectors

JAE

Straight Version Pictured