

JAE Surface Mount Board-to-Flex Connectors



This product is RoHS compliant.

FF02 SERIES: 0.30MM SMT BOARD-TO-FLEX CONNECTORS

Features:

- Low profile 1.2mm above board
- CAM Locking Structure makes FPC lining unnecessary and helps to absorb shock caused by fall resulting in much higher mating reliability

Specifications:

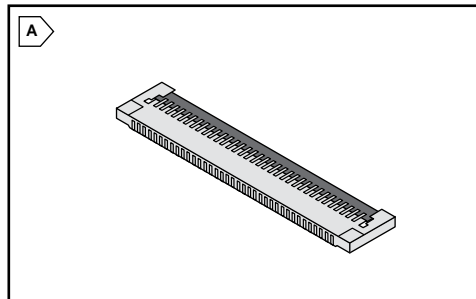
- FPC type: 0.3mm pitch, 0.12mm thickness with reinforcement
- Current Rating: AC/DC 0.35A per contact
- Dielectric Withstanding Voltage: AC 250 V rms per minute
- Voltage Rating: AC/DC 50V per contact
- RoHS Compliance per JAE documentation



RoHS Compliant

For quantities of 100 and up, call for quote.

MOUSER STOCK NO.	JAE Part No.	Fig.	No. of Pos.	Description	Price Each			
					1	10	25	50
656-FF0235SS1	FF0235SS1	A	35	Right Angle				
656-FF0239SS1	FF0239SS1-R3000	A	39	Right Angle				
656-FF0251SS1	FF0251SS1	A	51	Right Angle				
656-FF0260SS1	FF0260SS1	A	60	Right Angle				
656-FF0290SS1	FF0290SS1	A	90	Right Angle				



IL-FPR SERIES: 0.50MM SMT ZIF BOARD-TO-FLEX CONNECTORS

Features:

- Low profile 2.0mm above board (Right-angle type)
- A slider enables insertion/extraction of FPC without applying force (Zero Insertion Force)
- Designed to avoid defective mating
- FPC type: 0.3mm thickness with reinforcement
- Right Angle

Specifications:

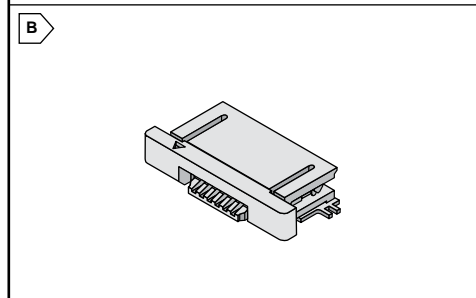
- Current Rating: AC/DC 0.5 Amp per contact
- Dielectric Withstanding Voltage: 250 VAC rms (for one minute)
- RoHS Compliance per JAE documentation



RoHS Compliant

For quantities of 100 and up, call for quote.

MOUSER STOCK NO.	JAE Part No.	Fig.	No. of Pos.	Description	Price Each			
					1	10	25	50
656-IL-FPR-6S-HF-N1	IL-FPR-6S-HF-N1	B	6	Right Angle				
656-IL-FPR-10S-HF-N1	IL-FPR-10S-HF-N1	B	10	Right Angle				
656-IL-FPR-20S-HF-N1	IL-FPR-20S-HF-N1	B	20	Right Angle				
656-IL-FPR-28S-HF-N1	IL-FPR-28S-HF-N1	B	28	Right Angle				
656-IL-FPR-30S-HF-N1	IL-FPR-30S-HF-N1	B	30	Right Angle				
656-IL-FPR-32S-HF-N1	IL-FPR-32S-HF-N1	B	32	Right Angle				
656-IL-FPR-33S-HF-N1	IL-FPR-33S-HF-N1	B	33	Right Angle				
656-IL-FPR-40S-HF-N1	IL-FPR-40S-HF-N1	B	40	Right Angle				
656-L-FPR-50S-HF-N1	IL-FPR-50S-HF-N1	B	50	Right Angle				



Rectangular Connectors

JAE

FA5 SERIES: 0.50MM SMT FPC BOARD-TO-FLEX CONNECTORS

Features:

- Low profile connector for PCB-to-FPC
- ZIF structure for easy insertion and removal of FPC
- Hold down structure with winding and strain protection
- Connector mounting height 1.45mm(.057"), low profile structure
- Right Angle

Specifications:

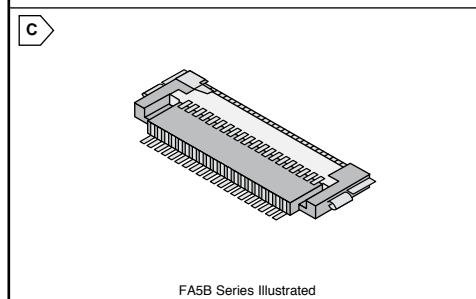
- Current Rating: 0.8 Amp per contact
- Dielectric Withstanding Voltage: 250 VAC rms (for one minute)
- RoHS Compliance per JAE documentation



RoHS Compliant

For quantities of 100 and up, call for quote.

MOUSER STOCK NO.	JAE Part No.	Fig.	No. of Pos.	Description	Price Each			
					1	10	25	50
656-FA5S010HP1	FA5S010HP1	C	10	SMT, Right Angle				
656-FA5S020HP1	FA5S020HP1	C	20	SMT, Right Angle				
656-FA5S030HP1	FA5S030HP1	C	30	SMT, Right Angle				
656-FA5S040HP1	FA5S040HP1	C	40	SMT, Right Angle				
656-FA5S050HP1	FA5S050HP1	C	50	SMT, Right Angle				
656-FA5B020HP1	FA5B020HP1	C	20	Bottom Mount, Right Angle				
656-FA5B030HP1	FA5B030HP1	C	30	Bottom Mount, Right Angle				
656-FA5B040HP1	FA5B040HP1	C	40	Bottom Mount, Right Angle				



FA5B Series Illustrated

FI-R SERIES 0.50MM BOARD-TO-FLEX CONNECTORS

- High speed serial transmission such as LVDS, TMDS (HDMI) and PCI express
- Contact Resistance: 50Ω max.

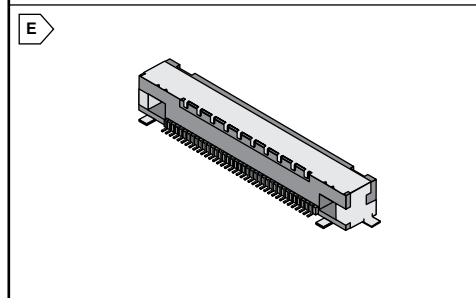
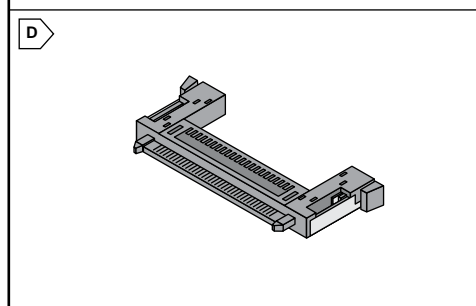
- Current Rating: AC, DC 0.8A per Terminal
- Insulation Resistance: 100MΩ min.



RoHS Compliant

For quantities of 100 and up, call for quote.

MOUSER STOCK NO.	JAE Part No.	Fig.	No. of Pos.	Description	Price Each			
					1	10	25	50
656-FI-RE41HL	FI-RE41HL	D	41	Cable Mount Plug				
656-FI-RE41S-HF	FI-RE41S-HF	E	41	SMT Receptacle R/A				
656-FI-RE41S-VF	FI-RE41S-VF	F	41	SMT Receptacle Straight				
656-FI-RE51HL	FI-RE51HL	D	51	Cable Mount Plug				
656-FI-RE51S-HF	FI-RE51S-HF	E	51	SMT Receptacle R/A				
656-FI-RE51S-VF	FI-RE51S-VF	F	51	SMT Receptacle Straight				



Contacts

- RoHS Compliance per JAE documentation

For quantities of 100 and up, call for quote.

MOUSER STOCK NO.	JAE Part No.	Description	Price Each		
			1	10	50
656-FI-RC31A1E-15000	FI-RC3-1A-1E-15000	Crimp contacts 30-36 AWG Upper Contact			
656-FI-RC31B1E-15000	FI-RC3-1B-1E-15000	Crimp contacts 30-36 AWG Lower Contact			

Tool

For quantities of 5 and up, call for quote.

MOUSER STOCK NO.	JAE Part No.	Description	Price Each
656-CT150-4C-FI	CT150-4C-FI	Hand Crimp Tool	

