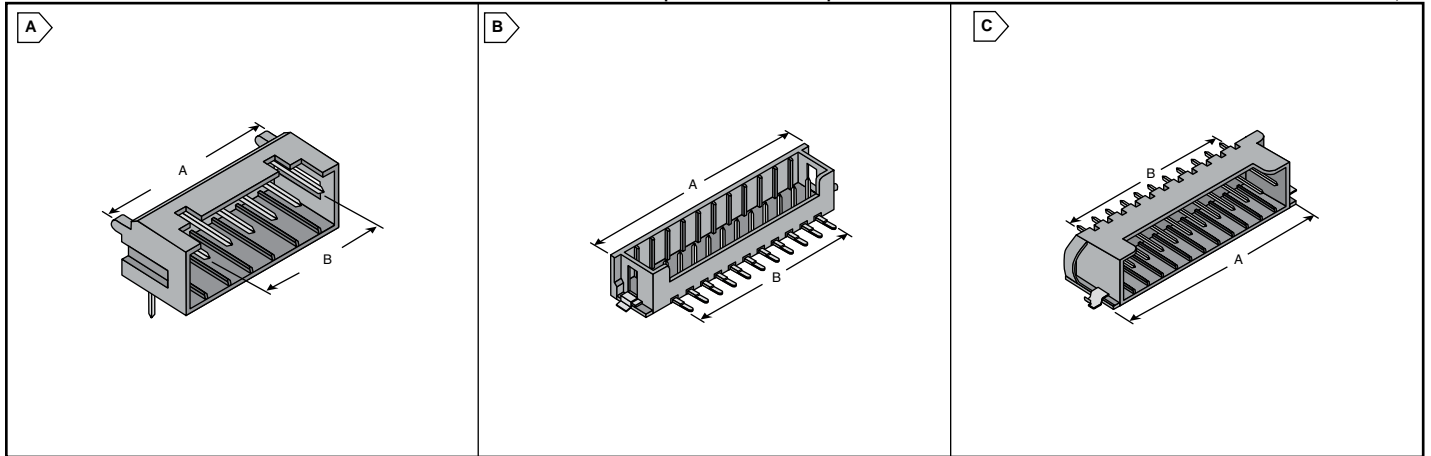


# HIROSE 2.0mm for Single Row Connectors



HIROSE ELECTRIC CO., LTD.

RoHS Compliant This product is RoHS compliant.



## DF3 SERIES SINGLE ROW CONNECTORS

### Headers (Cont.)

For quantities of 200 and up, call for quote.

MOUSER STOCK NO.	Hirose Part No.	Fig.	No. of Circuits	Dim.(mm)		Price Each		
				A	B	1	25	100
<b>Right Angle - Gold - Thru-Hole</b>								
798-DF3-2P-2DS01	DF3-2P-2DS(01)	A	2	6	2			
798-DF3-3P-2DS01	DF3-3P-2DS(01)	A	3	8	4			
798-DF3-4P-2DS01	DF3-4P-2DS(01)	A	4	10	6			
798-DF3-5P-2DS01	DF3-5P-2DS(01)	A	5	12	8			
798-DF3-6P-2DS01	DF3-6P-2DS(01)	A	6	14	10			
798-DF3-7P-2DS01	DF3-7P-2DS(01)	A	7	16	12			
798-DF3-8P-2DS01	DF3-8P-2DS(01)	A	8	18	14			
798-DF3-10P-2DS01	DF3-10P-2DS(01)	A	10	22	18			
<b>Vertical - Tin - SMT</b>								
798-DF3Z-2P-2V20	DF3Z-2P-2V(20)	B	2	8.5	2			
798-DF3Z-3P-2V20	DF3Z-3P-2V(20)	B	3	10.5	4			
798-DF3Z-4P-2V20	DF3Z-4P-2V(20)	B	4	12.5	6			
798-DF3Z-5P-2V20	DF3Z-5P-2V(20)	B	5	14.5	8			
798-DF3Z-6P-2V20	DF3Z-6P-2V(20)	B	6	16.5	10			
798-DF3Z-8P-2V20	DF3Z-8P-2V(20)	B	8	20.5	14			
798-DF3DZ-10P-2V21	DF3DZ-10P-2V(21)	B	10	24.5	18			
798-DF3DZ-11P-2V21	DF3DZ-11P-2V(21)	B	11	26.5	20			
798-DF3DZ-12P-2V21	DF3DZ-12P-2V(21)	B	12	28.5	22			
798-DF3DZ-13P-2V21	DF3DZ-13P-2V(21)	B	13	30.5	24			
798-DF3DZ-2P-2V21	DF3DZ-2P-2V(21)	B	2	8.5	2			
798-DF3DZ3P2V20	DF3DZ-3P-2V(20)	B	3	8.5	2			
798-DF3DZ-3P-2V21	DF3DZ-3P-2V(21)	B	3	10.5	4			
798-DF3DZ-4P-2V20	DF3DZ-4P-2V(20)	B	4	10.5	4			
798-DF3DZ-4P-2V21	DF3DZ-4P-2V(21)	B	4	12.5	6			
798-DF3DZ5P2V20	DF3DZ-5P-2V(20)	B	5	12.5	6			
798-DF3DZ-5P-2V21	DF3DZ-5P-2V(21)	B	5	14.5	8			
798-DF3DZ-6P-2V20	DF3DZ-6P-2V(20)	B	6	14.5	8			
798-DF3DZ-6P-2V21	DF3DZ-6P-2V(21)	B	6	16.5	10			
798-DF3DZ-7P-2V21	DF3DZ-7P-2V(21)	B	7	18.5	12			
798-DF3DZ-8P-2V21	DF3DZ-8P-2V(21)	B	8	20.5	14			
798-DF3DZ-9P-2V21	DF3DZ-9P-2V(21)	B	9	22.5	16			
798-DF3DZ-14P-2V21	DF3DZ-14P-2V(21)	B	14	32.5	26			
798-DF3DZ-15P-2V21	DF3DZ-15P-2V(21)	B	15	34.5	28			
798-DF3DZ-14P-2V21	DF3DZ-14P-2V(21)	B	14	32.5	26			
798-DF3DZ-15P-2V21	DF3DZ-15P-2V(21)	B	15	34.5	28			
<b>Vertical - Gold - SMT</b>								
798-DF3Z-2P-2V50	DF3Z-2P-2V(50)	B	2	8.5	2			
798-DF3Z-3P-2V50	DF3Z-3P-2V(50)	B	3	10.5	4			
798-DF3Z-4P-2V50	DF3Z-4P-2V(50)	B	4	12.5	6			
798-DF3Z-5P-2V50	DF3Z-5P-2V(50)	B	5	14.5	8			
798-DF3Z-8P-2V50	DF3Z-8P-2V(50)	B	8	20.5	14			
798-DF3DZ-2P-2V50	DF3DZ-2P-2V(50)	B	2	8.5	2			
798-DF3DZ-2P-2V51	DF3DZ-2P-2V(51)	B	2	8.5	2			
798-DF3DZ-3P-2V50	DF3DZ-3P-2V(50)	B	3	10.5	4			
798-DF3DZ-3P-2V51	DF3DZ-3P-2V(51)	B	3	10.5	4			
798-DF3DZ-4P-2V51	DF3DZ-4P-2V(51)	B	4	12.5	6			
798-DF3DZ5P2V50	DF3DZ-5P-2V(50)	B	5	14.5	8			
798-DF3DZ-5P-2V51	DF3DZ-5P-2V(51)	B	5	14.5	8			
798-DF3DZ-6P-2V50	DF3DZ-6P-2V(50)	B	6	16.5	10			
798-DF3DZ-6P-2V51	DF3DZ-6P-2V(51)	B	6	16.5	10			

### Headers (Cont.)

For quantities of 200 and up, call for quote.

MOUSER STOCK NO.	Hirose Part No.	Fig.	No. of Circuits	Dim.(mm)		Price Each		
				A	B	1	25	100
<b>Vertical - Gold - SMT (Cont.)</b>								
798-DF3DZ-7P-2V51	DF3DZ-7P-2V(51)	B	7	18.5	12			
798-DF3DZ-8P-2V51	DF3DZ-8P-2V(51)	B	8	20.5	14			
798-DF3DZ-9P-2V51	DF3DZ-9P-2V(51)	B	9	22.5	16			
798-DF3DZ-10P-2V51	DF3DZ-10P-2V(51)	A	10	24.5	18			
798-DF3DZ-11P-2V51	DF3DZ-11P-2V(51)	B	11	26.5	20			
798-DF3DZ-12P-2V51	DF3DZ-12P-2V(51)	B	12	28.5	22			
798-DF3DZ-13P-2V51	DF3DZ-13P-2V(51)	B	13	30.5	24			
798-DF3DZ-14P-2V51	DF3DZ-14P-2V(51)	B	14	32.5	26			
798-DF3DZ-15P-2V51	DF3DZ-15P-2V(51)	B	15	34.5	28			
<b>Right Angle - Tin - SMT</b>								
798-DF3Z-2P-2H20	DF3Z-2P-2H(20)	C	2	8.5	2			
798-DF3Z-5P-2H20	DF3Z-5P-2H(20)	C	5	14.5	8			
798-DF3Z-7P-2H20	DF3Z-7P-2H(20)	C	7	18.5	12			
798-DF3DZ-2P-2H21	DF3DZ-2P-2H(21)	C	2	8.5	2			
798-DF3DZ-3P-2H21	DF3DZ-3P-2H(21)	C	3	10.5	4			
798-DF3DZ-4P-2H20	DF3DZ-4P-2H(20)	C	4	12.5	6			
798-DF3DZ-4P-2H21	DF3DZ-4P-2H(21)	C	4	12.5	6			
798-DF3DZ-5P-2H21	DF3DZ-5P-2H(21)	C	5	14.5	8			
798-DF3DZ-6P-2H21	DF3DZ-6P-2H(21)	C	6	16.5	10			
798-DF3DZ-7P-2H20	DF3DZ-7P-2H(20)	C	7	18.5	12			
798-DF3DZ-7P-2H21	DF3DZ-7P-2H(21)	C	7	18.5	12			
798-DF3DZ-8P-2H21	DF3DZ-8P-2H(21)	C	8	20.5	14			
798-DF3DZ-10P-2H21	DF3DZ-10P-2H(21)	C	10	24.5	18			
798-DF3DZ-11P-2H21	DF3DZ-11P-2H(21)	C	11	26.5	20			
798-DF3DZ12P2H20	DF3DZ-12P-2H(20)	C	12	28.5	22			
798-DF3DZ-12P-2H21	DF3DZ-12P-2H(21)	C	12	28.5	22			
798-DF3DZ-13P-2H21	DF3DZ-13P-2H(21)	C	13	30.5	24			
798-DF3DZ-15P-2H21	DF3DZ-15P-2H(21)	C	15	34.5	28			
<b>Right Angle - Gold - SMT</b>								
798-DF3Z-2P-2H50	DF3Z-2P-2H(50)	C	2	8.5	2			
798-DF3Z-3P-2H50	DF3Z-3P-2H(50)	C	3	10.5	4			
798-DF3Z-4P-2H50	DF3Z-4P-2H(50)	C	4	12.5	6			
798-DF3Z-5P-2H50	DF3Z-5P-2H(50)	C	5	14.5	8			
798-DF3Z-8P-2H50	DF3Z-8P-2H(50)	C	8	20.5	14			
798-DF3DZ2P2H50	DF3DZ-2P-2H(50)	C	2	8.5	2			
798-DF3DZ-2P-2H51	DF3DZ-2P-2H(51)	C	2	8.5	2			
798-DF3DZ-3P-2H51	DF3DZ-3P-2H(51)	C	3	10.5	4			
798-DF3DZ-4P-2H50	DF3DZ-4P-2H(50)	C	4	12.5	6			
798-DF3DZ-4P-2H51	DF3DZ-4P-2H(51)	C	4	12.5	6			
798-DF3DZ-5P-2H51	DF3DZ-5P-2H(51)	C	5	14.5	8			
798-DF3DZ-6P-2H51	DF3DZ-6P-2H(51)	C	6	16.5	10			
798-DF3DZ-7P-2H51	DF3DZ-7P-2H(51)	C	7	18.5	12			
798-DF3DZ-8P-2H51	DF3DZ-8P-2H(51)	C	8	20.5	14			
798-DF3DZ-9P-2H51	DF3DZ-9P-2H(51)	C	9	22.5	16			
798-DF3DZ-10P-2H51	DF3DZ-10P-2H(51)	C	10	24.5	18			
798-DF3DZ-11P-2H51	DF3DZ-11P-2H(51)	C	11	26.5	20			
798-DF3DZ-12P-2H51	DF3DZ-12P-2H(51)	C	12	28.5	22			
798-DF3DZ-13P-2H51	DF3DZ-13P-2H(51)	C	13	30.5	24			
798-DF3DZ-14P-2H51	DF3DZ-14P-2H(51)	C	14	32.5	26			
798-DF3DZ-15P-2H51	DF3DZ-15P-2H(51)	C	15	34.5	28			

Rectangular Connectors Hirose