

HIROSE FPC/FFC Connectors



This product is RoHS compliant.



HIROSE ELECTRIC CO., LTD.

Common Features:

- Ease of Use and Space Savings: The Flip-lock design allows for the placement of 2 or more connectors side by side as there is no need to waste additional space for a side latch.
- Strengthened Flip-lock Actuator: The standard Flip-lock requires only 2.0mm height above the board. A strengthened lock lever is available which only requires an additional 0.4mm.
- Supports Thin FPC (0.18mm): Does not require double-sided FPC to have any additional strengthening plate or stiffener and can therefore support a thickness of as little as 0.18mm ±0.05.
- Prevention of Solder Bridge: Excess solder cavity absorbs excessive solder and avoids solder bridging.
- Three different assembly types: Top & Bottom Contact and Vertical Mount

Common Specifications:

- Current Rating: 0.5A
- Voltage Rating: 50VAC
- Operating Temperature: -40°C to +70°C

Materials:

- Insulator: Polyamide, LCP, Beige, UL94V-0
- Actuator: PPS, Dark Brown, UL94V-0
- Metal Fittings: Brass-Tin Plated

Applications:

- Notebook computers
- Printers
- PDAs
- Digital cameras
- Other compact devices for interconnecting the main circuit board with the LCD, HDD or other device

0.5MM - RIGHT ANGLE - GOLD

For quantities of 200 and up, call for quote.

MOUSER STOCK NO.	Hirose Part No.	Fig.	No. of Circuits	Dimensions: mm					Price Each		
				A	B	C	D	E	1	25	100
Bottom Contact											
798-FH12-6S-0.5SH55	FH12-6S-0.5SH(55)	A	6	2.5	6.1	7.1	3.57	-			
798-FH12-10S-0.5SH55	FH12-10S-0.5SH(55)	A	10	4.5	8.1	9.1	5.57	-			
798-FH12-11S-0.5SH55	FH12-11S-0.5SH(55)	A	11	5.0	8.6	9.6	6.07	-			
798-FH12-12S-0.5SH55	FH12-12S-0.5SH(55)	A	12	5.5	9.1	10.1	6.57	-			
798-FH12-14S-0.5SH55	FH12-14S-0.5SH(55)	A	14	6.5	10.1	11.1	7.57	-			
798-FH12-15S-0.5SH55	FH12-15S-0.5SH(55)	A	15	7.0	10.6	11.6	8.07	-			
798-FH12-16S-0.5SH55	FH12-16S-0.5SH(55)	A	16	7.5	11.1	12.1	8.57	-			
798-FH12-18S-0.5SH55	FH12-18S-0.5SH(55)	A	18	8.5	12.1	13.1	9.57	-			
798-FH12-20S-0.5SH55	FH12-20S-0.5SH(55)	A	20	9.5	13.1	14.1	10.57	-			
798-FH12-22S-0.5SH55	FH12-22S-0.5SH(55)	A	22	10.5	14.1	15.1	11.57	-			
798-FH12-24S-0.5SH55	FH12-24S-0.5SH(55)	A	24	11.5	15.1	16.1	12.57	-			
798-FH12-26S-0.5SH55	FH12-26S-0.5SH(55)	A	26	12.5	16.1	17.1	13.57	-			
798-FH12-28S-0.5SH55	FH12-28S-0.5SH(55)	A	28	13.5	17.1	18.1	14.57	-			
798-FH12-30S-0.5SH55	FH12-30S-0.5SH(55)	A	30	14.5	18.1	19.1	15.57	-			
798-FH12-32S-0.5SH55	FH12-32S-0.5SH(55)	A	32	15.5	19.1	20.1	16.57	-			
798-FH12-33S-0.5SH55	FH12-33S-0.5SH(55)	A	33	16.0	19.6	20.6	17.07	-			
798-FH12-34S-0.5SH55	FH12-34S-0.5SH(55)	A	34	16.05	20.01	21.1	17.57	-			
798-FH12-36S-0.5SH55	FH12-36S-0.5SH(55)	A	36	17.5	21.1	22.1	18.57	-			
798-FH12-40S-0.5SH55	FH12-40S-0.5SH(55)	A	40	19.5	23.1	24.1	20.57	-			
798-FH12-45S-0.5SH55	FH12-45S-0.5SH(55)	A	45	22.0	25.6	26.6	23.07	-			
798-FH12-50S-0.5SH55	FH12-50S-0.5SH(55)	A	50	24.5	28.1	29.1	25.57	-			
Bottom Contact With Strengthened Lock Lever											
798-FH12S-30S-05SH55	FH12S-30S-0.5SH(55)	A	30	14.5	18.1	19.1	15.57	-			
798-FH12S-40S-05SH55	FH12S-40S-0.5SH(55)	A	40	19.5	23.1	24.1	20.57	-			
798-FH12S-45S-05SH55	FH12S-45S-0.5SH(55)	A	45	22.0	25.6	26.6	23.07	-			
Top Contact											
798-FH12A-10S0.5SH55	FH12A-10S-0.5SH(55)	B	10	9.1	8.35	4.5	9.5	5.57			
798-FH12A-12S0.5SH55	FH12A-12S-0.5SH(55)	B	12	10.1	9.35	5.5	10.5	6.57			
798-FH12A-16S-0.5SH55	FH12A-16S-0.5SH(55)	B	16	12.1	11.4	7.5	12.5	8.57			
798-FH12A-18S0.5SH55	FH12A-18S-0.5SH(55)	B	18	13.1	12.35	8.5	13.5	9.57			
798-FH12A-20S0.5SH55	FH12A-20S-0.5SH(55)	B	20	14.1	13.35	9.5	14.5	10.57			
798-FH12A-24S0.5SH55	FH12A-24S-0.5SH(55)	B	24	16.1	15.35	11.5	16.5	12.57			
798-FH12A-30S0.5SH55	FH12A-30S-0.5SH(55)	B	30	19.1	18.35	14.5	19.5	15.57			
798-FH12A-32S0.5SH55	FH12A-32S-0.5SH(55)	B	32	20.1	19.35	15.5	20.5	16.57			
798-FH12A-33S0.5SH55	FH12A-33S-0.5SH(55)	B	33	20.6	19.85	16.0	21.0	17.07			
798-FH12A-36S0.5SH55	FH12A-36S-0.5SH(55)	B	36	22.1	21.35	17.5	22.5	18.57			
798-FH12A-40S0.5SH55	FH12A-40S-0.5SH(55)	B	40	24.1	23.35	19.5	24.5	20.57			
798-FH12A-50S0.5SH55	FH12A-50S-0.5SH(55)	B	50	29.1	28.35	24.5	29.5	25.57			

0.5MM - VERTICAL MOUNT - GOLD

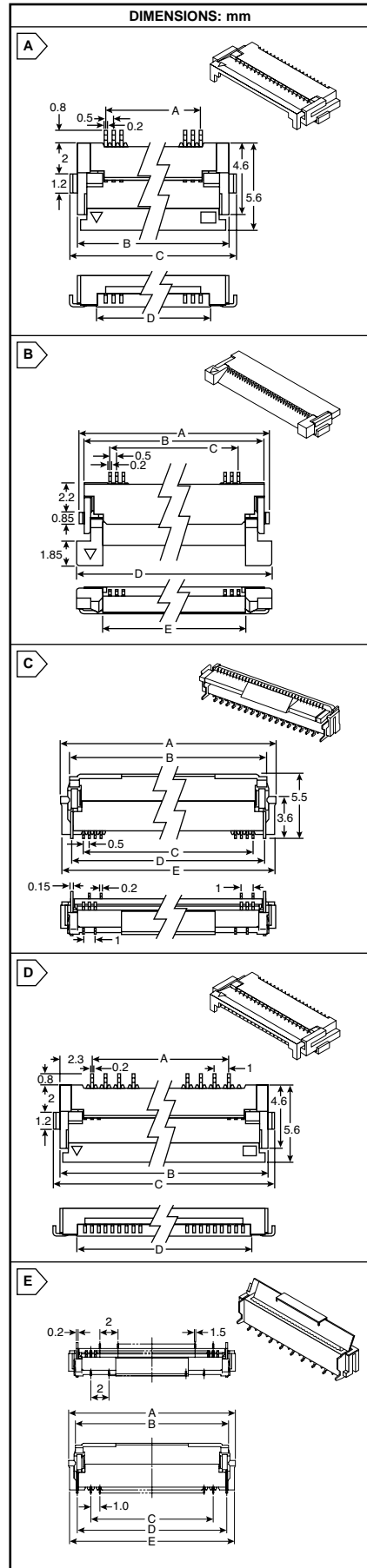
798-FH12-10S-0.5SV55	FH12-10S-0.5SV(55)	C	10	8.4	6.9	4.5	6.5	8.2		
798-FH12-12S-0.5SV55	FH12-12S-0.5SV(55)	C	12	9.4	7.9	5.5	7.5	9.2		
798-FH12-15S-0.5SV55	FH12-15S-0.5SV(55)	C	15	10.9	9.4	7.0	9.0	10.7		
798-FH12-16S-0.5SV55	FH12-16S-0.5SV(55)	C	16	11.4	9.9	7.5	9.5	11.2		
798-FH12-18S-0.5SV55	FH12-18S-0.5SV(55)	C	18	12.4	10.9	8.5	10.5	12.2		
798-FH12-20S-0.5SV55	FH12-20S-0.5SV(55)	C	20	13.4	11.9	9.5	11.5	13.2		
798-FH12-22S-0.5SV55	FH12-22S-0.5SV(55)	C	22	14.4	12.9	10.5	12.5	14.2		
798-FH12-24S-0.5SV55	FH12-24S-0.5SV(55)	C	24	15.4	13.9	11.5	13.5	15.2		
798-FH12-26S-0.5SV55	FH12-26S-0.5SV(55)	C	26	16.4	14.9	12.5	14.5	16.2		
798-FH12-30S-0.5SV55	FH12-30S-0.5SV(55)	C	30	18.4	16.9	14.5	16.5	18.2		
798-FH12-33S-0.5SV55	FH12-33S-0.5SV(55)	C	33	19.9	18.4	16.0	18.0	19.7		
798-FH12-36S-0.5SV55	FH12-36S-0.5SV(55)	C	36	21.4	19.9	17.5	19.5	21.2		
798-FH12-40S-0.5SV55	FH12-40S-0.5SV(55)	C	40	23.4	21.9	19.5	21.5	23.2		
798-FH12-45S-0.5SV55	FH12-45S-0.5SV(55)	C	45	25.9	24.4	22.0	24.0	25.7		
798-FH12-50S-0.5SV55	FH12-50S-0.5SV(55)	C	50	28.4	26.9	24.5	26.5	28.2		
798-FH12-60S-0.5SV55	FH12-60S-0.5SV(55)	C	60	33.4	31.9	29.5	31.5	33.2		

1MM - RIGHT ANGLE - BOTTOM CONTACT - GOLD

798-FH12-5S-1SH55	FH12-5S-1SH(55)	D	5	4.0	8.6	9.6	6.07	2.3		
798-FH12-6S-1SH55	FH12-6S-1SH(55)	D	6	5.0	9.6	10.6	7.07	2.3		
798-FH12-7S-1SH55	FH12-7S-1SH(55)	D	7	6.0	10.6	11.6	8.07	2.3		
798-FH12-8S-1SH55	FH12-8S-1SH(55)	D	8	7.0	11.6	12.6	9.07	2.3		
798-FH12-9S-1SH55	FH12-9S-1SH(55)	D	9	8.0	12.6	13.6	10.07	2.3		
798-FH12-11S-1SH55	FH12-11S-1SH(55)	D	11	10.0	14.6	15.6	12.07	2.3		
798-FH12-16S-1SH55	FH12-16S-1SH(55)	D	16	15.0	19.6	20.6	17.07	2.3		
798-FH12-22S-1SH55	FH12-22S-1SH(55)	D	22	21.0	25.6	26.6	23.07	2.3		
798-FH12-26S-1SH55	FH12-26S-1SH(55)	D	26	25.0	29.6	30.6	27.07	2.3		

1MM - VERTICAL MOUNT - GOLD

798-FH12-6S-1SV55	FH12-6S-1SV(55)	E	6	9.9	8.4	5.0	8.0	9.7		
798-FH12-8S-1SV55	FH12-8S-1SV(55)	E	8	11.9	10.4	7.0	10.0	11.7		
798-FH12-16S-1SV55	FH12-16S-1SV(55)	E	16	19.9	18.4	15.0	18.0	19.7		
798-FH12-20S-1SV55	FH12-20S-1SV(55)	E	20	23.9	22.4	19.0	22.0	23.7		
798-FH12-24S-1SV55	FH12-24S-1SV(55)	E	24	27.9	26.4	23.0	26.0	27.7		



Rectangular Connectors Hirose