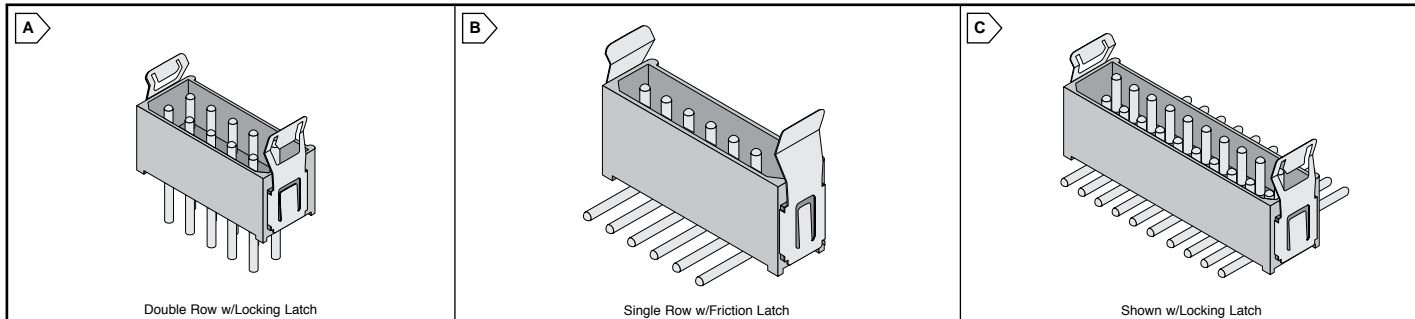


L-Tek High Reliability 2mm Datamate Connectors

HARWIN

Products may be RoHS compliant. Check mouser.com for RoHS status.

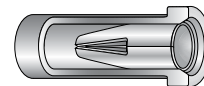


L-TEK DATAMATE SERIES

Features:

- Mates with all L-Tek Series Connectors
- Professional connector system at commercial prices
- Ideal for COTS applications
- Proven history in Mil/Aero applications
- Environmental Classification
 - 55°C / 125°C / 56 days at 95% RH
- Male Contacts: Phosphor bronze
- Durability: 500 operations
- Complies with BS9525-F0033/CECC 75101-008
- Proven performance in high vibration applications
- Moldings: Glass-filled thermoplastic UL94V-0
- Female Contacts: Brass shell, with 4 finger beryllium copper contact
- RoHS compliant per Harwin Documentation

3 AMP Four Finger Beryllium Copper Contact



Standard in all L & J Tek Female Connectors

L-Tek Male PC Tail Connectors - Vertical

Features:

- Selective Gold Plating
- Fully shrouded contacts
- Polarized mouldings
- 3 Amp contact

For quantities of 50 and up, call for quote.

MOUSER RoHS COMPLIANT STOCK NO.	MOUSER NON-ROHS STOCK NO.	Harwin Part No.	Fig.	No. of Contacts	Price Each		
					1	10	25
Single Row With Locking Latch							
855-M80-8820242	855-M80-8770222	M80-8770222	A	2			
855-M80-8820342	855-M80-8770322	M80-8770322	A	3			
855-M80-8820442	855-M80-8770422	M80-8770422	A	4			
855-M80-8820542	855-M80-8770522	M80-8770522	A	5			
855-M80-8820642	855-M80-8770622	M80-8770622	A	6			
855-M80-8820742	855-M80-8770722	M80-8770722	A	7			
Double Row With Locking Latch							
855-M80-8530442	855-M80-8670422	M80-8670422	A	4			
855-M80-8530642	855-M80-8670622	M80-8670622	A	6			
855-M80-8530842	855-M80-8670822	M80-8670822	A	8			
855-M80-8531042	855-M80-8671022	M80-8671022	A	10			
855-M80-8531242	855-M80-8671222	M80-8671222	A	12			
855-M80-8531442	855-M80-8671422	M80-8671422	A	14			
855-M80-8531642	855-M80-8671622	M80-8671622	A	16			
855-M80-8532042	855-M80-8672022	M80-8672022	A	20			
855-M80-8532642	855-M80-8672622	M80-8672622	A	26			
855-M80-8533442	855-M80-8673422	M80-8673422	A	34			
Double Row Unlatched							
855-M80-8540442	855-M80-8690422	M80-8690422	A	4			
855-M80-8540642	855-M80-8690622	M80-8690622	A	6			
855-M80-8540842	855-M80-8690822	M80-8690822	A	8			
855-M80-8541042	855-M80-8691022	M80-8691022	A	10			
855-M80-8541242	855-M80-8691222	M80-8691222	A	12			
855-M80-8541442	855-M80-8691422	M80-8691422	A	14			
855-M80-8541642	855-M80-8691622	M80-8691622	A	16			
855-M80-8541842	855-M80-8691822	M80-8691822	A	18			
855-M80-8542042	855-M80-8692022	M80-8692022	A	20			
855-M80-8542642	855-M80-8692622	M80-8692622	A	26			
855-M80-8543442	855-M80-8693422	M80-8693422	A	34			
Double Row With Friction Latch							
855-M80-8630442	855-M80-8150422	M80-8150422	A	4			
855-M80-8630642	855-M80-8150622	M80-8150622	A	6			
855-M80-8630842	855-M80-8150822	M80-8150822	A	8			
855-M80-8631042	855-M80-8151022	M80-8151022	A	10			
855-M80-8631242	855-M80-8151222	M80-8151222	A	12			
855-M80-8631442	855-M80-8151422	M80-8151422	A	14			
855-M80-8632042	855-M80-8152022	M80-8152022	A	20			
855-M80-8632642	855-M80-8152622	M80-8152622	A	26			

L-Tek Male PC Tail Connectors - Right Angle

Features:

- Selective Gold Plating
- PCB hold-downs included
- Polarized mouldings

For quantities of 50 and up, call for quote.

MOUSER RoHS COMPLIANT STOCK NO.	MOUSER NON-ROHS STOCK NO.	Harwin Part No.	Fig.	No. of Contacts	Price Each		
					1	10	25
Single Row With Locking Latch							
855-M80-8420242	855-M80-8760222	M80-8760222	B	2			
855-M80-8420342	855-M80-8760322	M80-8760322	B	3			
855-M80-8420442	855-M80-8760422	M80-8760422	B	4			
855-M80-8420542	855-M80-8760522	M80-8760522	B	5			
855-M80-8420642	855-M80-8760622	M80-8760622	B	6			
Double Row With Locking Latch							
855-M80-8510442	855-M80-8660422	M80-8660422	B	4			
855-M80-8510642	855-M80-8660622	M80-8660622	B	6			
855-M80-8510842	855-M80-8660822	M80-8660822	B	8			

LATCHING OPTIONS

Locking Latch: The opening in the locking latch allows it to physically snap onto the mating half for additional retention force.

Friction Latch: The friction latch is solid, which allows additional retention without physically locking onto mating half.

Unlatched: The unique design of the four leaf Beryllium Copper contacts provides retention force for unlatched options.

L-Tek Male PC Tail Connectors - Right Angle (Cont.)

Features:

- Selective Gold Plating
- PCB hold-downs included
- Polarized mouldings
- 3 Amp contact

For quantities of 50 and up, call for quote.

MOUSER RoHS COMPLIANT STOCK NO.	MOUSER NON-ROHS STOCK NO.	Harwin Part No.	Fig.	No. of Contacts	Price Each		
					1	10	25
Double Row With Locking Latch (Cont.)							
855-M80-8511042	855-M80-8661022	M80-8661022	B	10			
855-M80-8511242	855-M80-8661222	M80-8661222	B	12			
855-M80-8511442	855-M80-8661422	M80-8661422	B	14			
855-M80-8511642	855-M80-8661622	M80-8661622	B	16			
855-M80-8511842	855-M80-8661822	M80-8661822	B	18			
855-M80-8512042	855-M80-8662022	M80-8662022	B	20			
855-M80-8512642	855-M80-8662622	M80-8662622	B	26			
855-M80-8513442	855-M80-8663422	M80-8663422	B	34			
Double Row Unlatched							
855-M80-8410642	855-M80-8680622	M80-8680622	B	6			
855-M80-8410842	855-M80-8680822	M80-8680822	B	8			
855-M80-8411242	855-M80-8681222	M80-8681222	B	12			
855-M80-8411442	855-M80-8681422	M80-8681422	B	14			
855-M80-8411842	855-M80-8681822	M80-8681822	B	18			
855-M80-8412042	855-M80-8682022	M80-8682022	B	20			
855-M80-8412642	855-M80-8682622	M80-8682622	B	26			
855-M80-8413442	855-M80-8683422	M80-8683422	B	34			
Double Row With Friction Latch							
855-M80-8390442	855-M80-8140422	M80-8140422	B	4			
855-M80-8390842	855-M80-8140822	M80-8140822	B	8			
855-M80-8391042	855-M80-8141022	M80-8141022	B	10			
855-M80-8391642	855-M80-8141622	M80-8141622	B	16			
855-M80-8392042	855-M80-8142022	M80-8142022	B	20			
855-M80-8392642	855-M80-8142622	M80-8142622	B	26			
855-M80-8393442	855-M80-8143422	M80-8143422	B	34			

L-Tek Male Surface Mount Connectors - Vertical

Features:

- Selective Gold Plating
- Double Row
- Polarized mouldings
- 3 Amp contact

For quantities of 50 and up, call for quote.

MOUSER RoHS COMPLIANT STOCK NO.	MOUSER NON-ROHS STOCK NO.	Harwin Part No.	Fig.	No. of Contacts	Price Each		
					1	10	25
With Locking Latch							
855-M80-8280442	855-M80-8280422	M80-8280422	C	4			
855-M80-8280642	855-M80-8280622	M80-8280622	C	6			
855-M80-8280842	855-M80-8280822	M80-8280822	C	8			
855-M80-8281042	855-M80-8281022	M80-8281022	C	10			
855-M80-8281242	855-M80-8281222	M80-8281222	C	12			
855-M80-8281442	855-M80-8281422	M80-8281422	C	14			
855-M80-8281842	855-M80-8281822	M80-8281822	C	18			
855-M80-8282042	855-M80-8282022	M80-8282022	C	20			
855-M80-8282642	855-M80-8282622	M80-8282622	C	26			
855-M80-8283442	855-M80-8283422	M80-8283422	C	34			