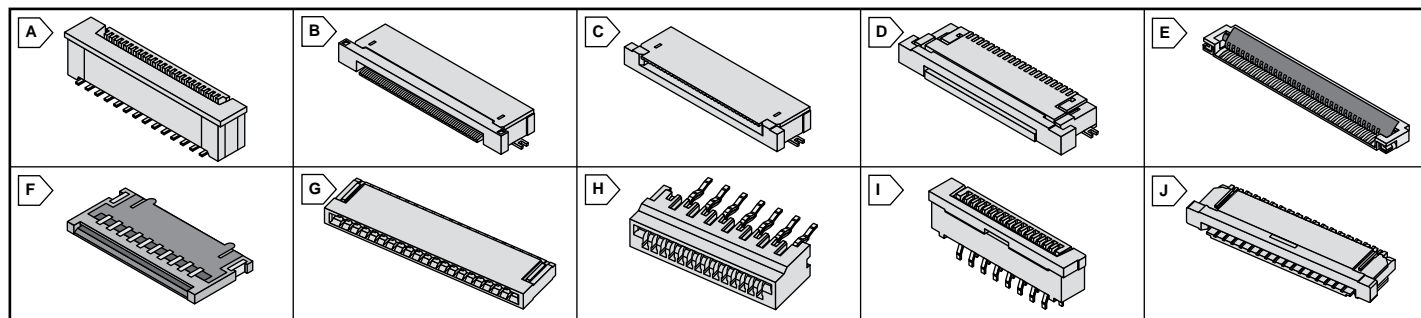


FCI FFC Connectors

RoHS Compliant This product is RoHS compliant.

By offering options for ZIF or LIF actuation, SMT or through-hole PCB termination, and vertical or right-angle flex insertion, FCI has a solution to fit almost any application. FCI is a technology leader with its gas tight, high pressure and patented Clincher contact technology and has also pioneered the development of the fine pitch and low profile connectors for applications where space is premium.



0.50MM CONNECTORS

For quantities of 200 and up, call for quote.

MOUSER STOCK NO.	FCI Part No.	Fig.	No. of Positions	Height (mm)	Contact Location	Type	Orientation	Price Each			
								1	25	50	100
649-62674-241121ALF	62674-241121ALF	A	24	2.95	Top Entry	ZIF	Straight				
649-62674-301121ALF	62674-301121ALF	A	30	2.95	Top Entry	ZIF	Straight				
649-62684-401100ALF	62684-401100ALF	B	40	2.00	Lower	ZIF	Right Angle				
649-62684-501100ALF	62684-501100ALF	B	50	2.00	Lower	ZIF	Right Angle				
649-62684-322100ALF	62684-322100ALF	C	32	2.00	Upper	ZIF	Right Angle				
649-62684-402100ALF	62684-402100ALF	C	40	2.00	Upper	ZIF	Right Angle				
649-62684-502100ALF	62684-502100ALF	C	50	2.00	Upper	ZIF	Right Angle				
649-SFV5R-1STE1LF	SFV5R-1STE1LF	D	5	1.8	Lower	ZIF	Right Angle				
649-SFV5R-2STE1LF	SFV5R-2STE1LF	D	5	1.8	Upper	ZIF	Right Angle				
649-SFV8R-1STE1LF	SFV8R-1STE1LF	D	8	1.8	Lower	ZIF	Right Angle				
649-SFV8R-2STE1LF	SFV8R-2STE1LF	D	8	1.8	Upper	ZIF	Right Angle				
649-SFV10R-1STE1LF	SFV10R-1STE1LF	D	10	1.8	Lower	ZIF	Right Angle				
649-SFV10R-2STE1LF	SFV10R-2STE1LF	D	10	1.8	Upper	ZIF	Right Angle				
649-SFV16R-1STE1LF	SFV16R-1STE1LF	D	16	1.8	Lower	ZIF	Right Angle				
649-SFV18R-1STE1LF	SFV18R-1STE1LF	D	18	1.8	Lower	ZIF	Right Angle				
649-SFV18R-2STE1LF	SFV18R-2STE1LF	D	18	1.8	Upper	ZIF	Right Angle				
649-SFV20R-1STE1LF	SFV20R-1STE1LF	D	20	1.8	Lower	ZIF	Right Angle				
649-SFV20R-2STE1LF	SFV20R-2STE1LF	D	20	1.8	Upper	ZIF	Right Angle				
649-SFV24R-1STE1LF	SFV24R-1STE1LF	D	24	1.8	Lower	ZIF	Right Angle				
649-SFV24R-2STE1LF	SFV24R-2STE1LF	D	24	1.8	Upper	ZIF	Right Angle				
649-SFV28R-1STE1LF	SFV28R-1STE1LF	D	28	1.8	Lower	ZIF	Right Angle				
649-SFV28R-2STE1LF	SFV28R-2STE1LF	D	28	1.8	Upper	ZIF	Right Angle				
649-SFV30R-1STE1LF	SFV30R-1STE1LF	D	30	1.8	Lower	ZIF	Right Angle				
649-SFV30R-2STE1LF	SFV30R-2STE1LF	D	30	1.8	Upper	ZIF	Right Angle				
649-176529-35105EHLF	10076529-35105EHLF	E	35	1.3	Lower	ZIF	Right Angle				
649-176529-60105EHLF	10076529-60105EHLF	E	60	1.3	Lower	ZIF	Right Angle				
649-162827-0410EDLF	10062827-0410EDLF	F	4	.7	Lower	ZIF	Right Angle				
649-162827-0810EDLF	10062827-0810EDLF	F	8	.7	Lower	ZIF	Right Angle				
649-162827-1010EDLF	10062827-1010EDLF	F	10	.7	Lower	ZIF	Right Angle				

Rectangular Connectors FCI

1MM CONNECTORS

For quantities of 200 and up, call for quote.

MOUSER STOCK NO.	FCI Part No.	Fig.	No. of Positions	Height (mm)	Contact Location	Type	Orientation	Price Each			
								1	25	50	100
649-HFW20R-1STE1LF	HFW20R-1STE1LF	G	20	1.9	Lower	Non-ZIF	Right Angle				
649-HLW14S-2C7LF	HLW14S-2C7LF	H	14	5.9	Top Entry	Non-ZIF	Straight				
649-SLW16S-1C7LF	SLW16S-1C7LF	I	16	5.5	Top Entry	ZIF	Straight				
649-SFW4R-1STE1LF	SFW4R-1STE1LF	J	4	2.7	Lower	ZIF	Right Angle				
649-SFW4R-2STE1LF	SFW4R-2STE1LF	J	4	2.7	Upper	ZIF	Right Angle				
649-SFW4R-3STE1LF	SFW4R-3STE1LF	J	4	2.7	Lower	ZIF	Right Angle				
649-SFW4S-2STE1LF	SFW4S-2STE1LF	J	4	3.6	Top Entry	ZIF	Straight				
649-SFW5R-1STE1LF	SFW5R-1STE1LF	J	5	2.7	Lower	ZIF	Right Angle				
649-SFW5R-2STE1LF	SFW5R-2STE1LF	J	5	2.7	Upper	ZIF	Right Angle				
649-SFW5S-2STE1LF	SFW5S-2STE1LF	J	5	3.6	Top Entry	ZIF	Straight				
649-SFW10R-1STE1LF	SFW10R-1STE1LF	J	10	2.7	Lower	ZIF	Right Angle				
649-SFW10R-2STE1LF	SFW10R-2STE1LF	J	10	2.7	Upper	ZIF	Right Angle				
649-SFW10S-2STE1LF	SFW10S-2STE1LF	J	10	3.6	Top Entry	ZIF	Straight				
649-SFW12R-1STE1LF	SFW12R-1STE1LF	J	12	2.7	Lower	ZIF	Right Angle				
649-SFW12R-2STE1LF	SFW12R-2STE1LF	J	12	2.7	Upper	ZIF	Right Angle				
649-SFW12S-2STE1LF	SFW12S-2STE1LF	J	12	3.6	Top Entry	ZIF	Straight				
649-SFW14R-1STE1LF	SFW14R-1STE1LF	J	14	2.7	Lower	ZIF	Right Angle				
649-SFW14S-2STE1LF	SFW14S-2STE1LF	J	14	3.6	Top Entry	ZIF	Straight				
649-SFW16R-2STE1LF	SFW16R-2STE1LF	J	16	2.7	Upper	ZIF	Right Angle				
649-SFW16S-2STE1LF	SFW16S-2STE1LF	J	16	3.6	Top Entry	ZIF	Straight				
649-SFW18R-1STE1LF	SFW18R-1STE1LF	J	18	2.7	Lower	ZIF	Right Angle				
649-SFW18R-2STE1LF	SFW18R-2STE1LF	J	18	2.7	Upper	ZIF	Right Angle				
649-SFW18S-2STE1LF	SFW18S-2STE1LF	J	18	3.6	Top Entry	ZIF	Straight				
649-SFW20R-1STE1LF	SFW20R-1STE1LF	J	20	2.7	Lower	ZIF	Right Angle				
649-SFW20R-2STE1LF	SFW20R-2STE1LF	J	20	2.7	Upper	ZIF	Right Angle				
649-SFW24R-1STE1LF	SFW24R-1STE1LF	J	24	2.7	Lower	ZIF	Right Angle				
649-SFW24R-2STE1LF	SFW24R-2STE1LF	J	24	2.7	Upper	ZIF	Right Angle				
649-SFW24S-2STE1LF	SFW24S-2STE1LF	J	24	3.6	Top Entry	ZIF	Straight				
649-SFW26R-1STE1LF	SFW26R-1STE1LF	J	26	2.7	Lower	ZIF	Right Angle				
649-SFW26R-2STE1LF	SFW26R-2STE1LF	J	26	2.7	Upper	ZIF	Right Angle				
649-SFW26S-2STE1LF	SFW26S-2STE1LF	J	26	3.6	Top Entry	ZIF	Straight				
649-SFW30R-1STE1LF	SFW30R-1STE1LF	J	30	2.7	Lower	ZIF	Right Angle				
649-SFW30R-2STE1LF	SFW30R-2STE1LF	J	30	2.7	Upper	ZIF	Right Angle				
649-SFW30S-2STE1LF	SFW30S-2STE1LF	J	30	3.6	Top Entry	ZIF	Straight				