

FCI High Speed PCB Mezzanine Connectors



This product is RoHS compliant.

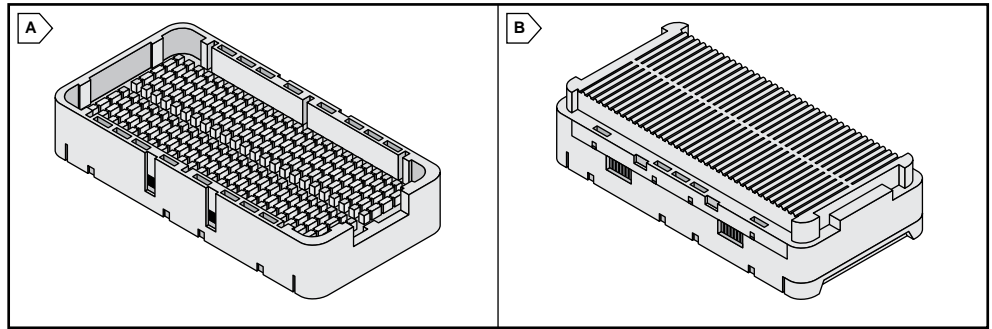


GIG-ARRAY® HIGH-SPEED, HIGH DENSITY BOARD STACKING CONNECTORS

Connector sizes are 200 and 296 positions at stack heights from 15mm to 40mm at data rates up to 10Gb/s. Connectors utilize Ball Grid Array (BGA) technology for compatibility with SMT reflow soldering process.

Specifications:

- Housing Material: LCP
- Contact Material: High Strength Copper Alloy
- Mating Cycles: 25
- Current Rating: 1A per contact at 30°C DT
- Insulation Resistance: 100MV
- Withstanding Voltage: 500VAC
- Temperature Range: -40°C to 85°C
- RoHS Compliant per FCI documentation



For quantities of 25 and up, call for quote.

MOUSER STOCK NO.	FCI Part No.	Fig.	Gender	No. of Positions	Spacing	Contact Plating	Price Each		
							1	5	10
649-55737-001LF	55737-001LF	A	Plug	200	10mm	Gold			
649-10060910-001LF	10060910-001LF	A	Plug	200	13mm	Gold			
649-55738-001LF	55738-001LF	A	Plug	200	15mm	Gold			
649-154783-001LF	10054783-001LF	A	Plug	200	25mm	Gold			
649-55720-001LF	55720-001LF	A	Plug	296	10mm	Gold			
649-126804-001LF	10026804-001LF	A	Plug	296	12mm	Gold			
649-10060911-001LF	10060911-001LF	A	Plug	296	13mm	Gold			
649-55700-001LF	55700-001LF	A	Plug	296	15mm	Gold			
649-55727-001LF	55727-001LF	A	Plug	296	20mm	Gold			
649-55741-001LF	55741-001LF	B	Receptacle	200	15mm	Gold			
649-160912-001LF	10060912-001LF	B	Receptacle	200	15mm	Gold			
649-55740-001LF	55740-001LF	B	Receptacle	200	5mm	Gold			
649-160913-001LF	10060913-001LF	B	Receptacle	296	15mm	Gold			
649-55701-001LF	55701-001LF	B	Receptacle	296	5mm	Gold			

FCI Rectangular Connectors

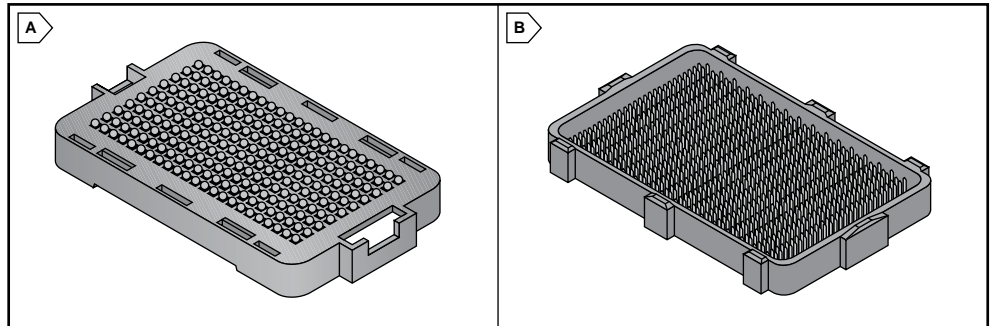
MEG-ARRAY® HIGH-SPEED BOARD STACKING CONNECTORS

Connectors sizes span 100 to 400 contact positions at stack heights from 4mm to 8mm at data rates up to 10Gb/s. Add plug and receptacle contributions shown in table to determine the resulting mated height. Connectors utilize Ball Grid Array (BGA) technology for compatibility with SMT reflow soldering process.



Specifications:

- Housing Material: LCP
- Contact Material: Copper Alloy
- Durability (Mating Cycles): 50
- Current Rating: 0.45A per contact at 30°C rise
- RoHS Compliant per FCI documentation



*: Au over Ni with special contact geometry to meet requirements of Teleordia GR-1217.

For quantities of 50 and up, call for quote.

MOUSER STOCK NO.	FCI Part No.	Fig.	Gender	No. of Positions	Connector Contribution to Stack Height	Contact Plating	Price Each		
							1	10	25
649-84512-102LF	84512-102LF	A	Plug	100	0mm	30AU			
649-84516-102LF	84516-102LF	A	Plug	200	0mm	30AU			
649-84500-002LF	84500-002LF	A	Plug	300	0mm	15AU			
649-84500-102LF	84500-102LF	A	Plug	300	0mm	30AU			
649-84500-202LF	84500-202LF	A	Plug	300	0mm	*			
*649-84740-102LF	84740-102LF	A	Plug	400	0mm	30AU			
649-84520-102LF	84520-102LF	A	Plug	400	6mm	30AU			
649-84513-101LF	84513-101LF	B	Receptacle	100	4mm	30AU			
649-84517-101LF	84517-101LF	B	Receptacle	200	4mm	30AU			
649-84535-201LF	84535-201LF	B	Receptacle	200	8mm	*			
649-84501-001LF	84501-001LF	B	Receptacle	300	4mm	15AU			
649-84501-201LF	84501-201LF	B	Receptacle	300	4mm	*			
649-84502-001LF	84502-001LF	B	Receptacle	300	5.5mm	15AU			
*649-84502-101LF	84502-101LF	B	Receptacle	300	5.5mm	30AU			
649-84553-101LF	84553-101LF	B	Receptacle	300	8mm	30AU			
649-74221-001LF	74221-001LF	B	Receptacle	400	4mm	15AU			
649-74221-101LF	74221-101LF	B	Receptacle	400	4mm	30AU			
649-74388-101LF	74388-101LF	B	Receptacle	400	6mm	30AU			
649-74390-001LF	74390-001LF	B	Receptacle	400	8mm	15AU			
649-74390-101LF	74390-101LF	B	Receptacle	400	8mm	30AU			