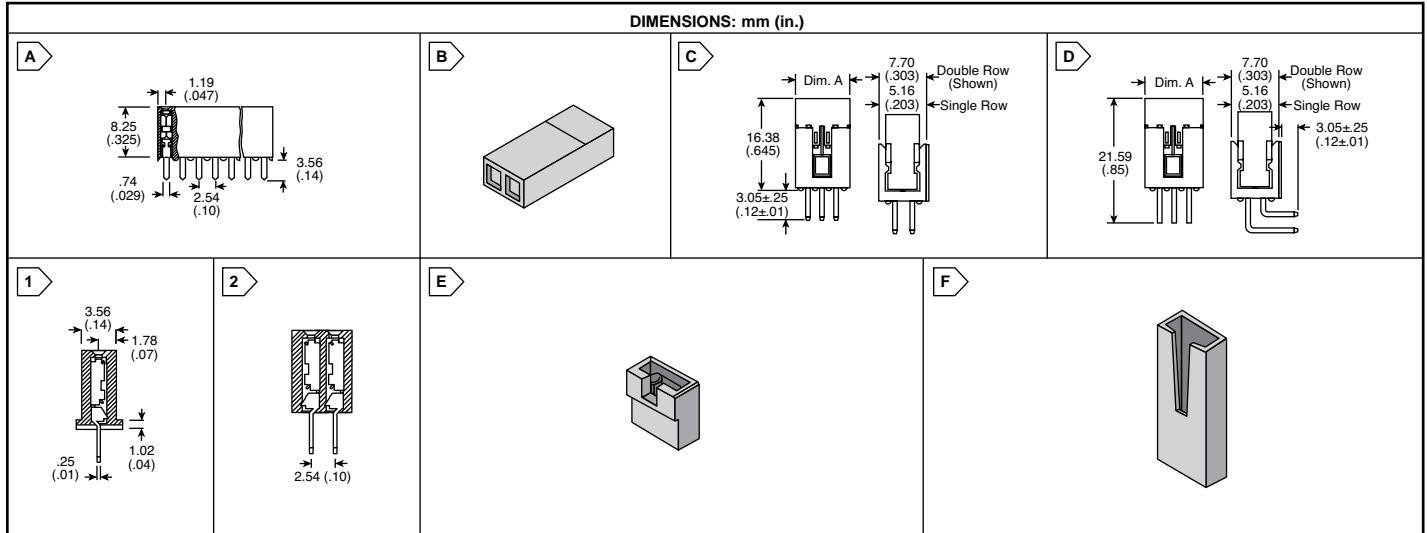


RoHS Compliant This product is RoHS compliant.



.100" VERTICAL PCB MOUNTED RECEPTACLE ASSEMBLIES, THRU-MOUNT

Features:

- Designed for parallel board-to-board stacking on .100" x .100" (2.54mm x 2.54mm) centerlines
- Dual metal PV brass contacts duplex plated with 30µ" gold in contact area, 100µ" tin in solder area, and 50µ" nickel underplated overall
- Beryllium copper thermoplastic polyester housings, rated UL 94V-0
- Spring member plated with gold flash
- Mate with .025" (0.64mm) square or round pins
- Tail Material: Tin
- RoHS compliant per FCI documentation
- Thru mount



For quantities of 500 and up, call for quote.

MOUSER STOCK NO.	FCI Part No.	Fig.	No. of Pos.	Length mm (in.)	Price Each			
					1	25	50	100
Single Row .140" (3.56mm) Long Solder Tail								
649-66951-006LF	66951-006LF	A1	6	15.24 (0.60)				
649-66951-008LF	66951-008LF	A1	8	20.32 (0.80)				
649-66951-010LF	66951-010LF	A1	10	22.86 (1.00)				
649-66951-012LF	66951-012LF	A1	12	30.48 (1.20)				
649-66951-014LF	66951-014LF	A1	14	35.56 (1.40)				
649-66951-016LF	66951-016LF	A1	16	40.64 (1.60)				
Double Row .140" (3.56mm) Long Solder Tail								
649-66953-004LF	66953-004LF	A2	8	10.16 (.400)				
649-66953-005LF	66953-005LF	A2	10	12.70 (.500)				
649-66953-006LF	66953-006LF	A2	12	15.24 (0.60)				
649-66953-007LF	66953-007LF	A2	14	17.78 (0.70)				
649-66953-008LF	66953-008LF	A2	16	20.32 (0.80)				
649-66953-010LF	66953-010LF	A2	20	25.40 (1.00)				
649-66953-014LF	66953-014LF	A2	28	35.56 (1.40)				
649-66953-015LF	66953-015LF	A2	30	38.10 (1.50)				
649-66953-017LF	66953-017LF	A2	34	43.18 (1.70)				
649-66953-020LF	66953-020LF	A2	40	50.80 (2.00)				
649-66953-025LF	66953-025LF	A2	50	63.50 (2.50)				
649-66953-030LF	66953-030LF	A2	60	76.20 (3.00)				

VERTICAL LATCHING SYSTEM (2.54MM X 2.54MM / .100" X .100") CENTERLINES

Features:

- Mates to Mini-PV™ receptacles and drawn-wire pins for high reliability
- Single and double row configurations occupy minimal real estate
- RoHS compliant per FCI documentation
- Passive latching
- 0.025" (0.64mm) square pins

Specifications:

- Material: PCT (UL 94 V-0)
- Plating: 0.76µm (30µ") gold over 1.27µm (50µ") nickel
- Color: Black



For quantities of 500 and up, call for quote.

MOUSER STOCK NO.	FCI Part No.	Fig.	No. of Pos.	Dimension A mm (in.)	Price Each			
					1	25	50	100
Straight Header: Single Row								
649-69167-103HLF	69167-103HLF	C	3	7.62 (0.30)				
649-69167-104HLF	69167-104HLF	C	4	10.16 (0.40)				
649-69167-105HLF	69167-105HLF	C	5	12.70 (0.50)				
649-69167-106HLF	69167-106HLF	C	6	15.24 (0.60)				
649-69167-108HLF	69167-108HLF	C	8	20.32 (0.80)				
Straight Header: Double Row								
649-69168-110HLF	69168-110HLF	C	10	12.70 (0.50)				
649-69168-112HLF	69168-112HLF	C	12	15.24 (0.60)				
Right Angle: Single Row								
649-78208-103HLF	78208-103HLF	D	3	7.62 (0.30)				
649-78208-104HLF	78208-104HLF	D	4	10.16 (0.40)				
649-78208-105HLF	78208-105HLF	D	5	12.70 (0.50)				
649-78208-106HLF	78208-106HLF	D	6	15.24 (0.60)				
Right Angle: Double Row								
649-78207-108HLF	78207-108HLF	D	8	10.16 (0.40)				
649-78207-110HLF	78207-110HLF	D	10	12.70 (0.50)				
649-78207-112HLF	78207-112HLF	D	12	15.24 (0.60)				
649-78207-116HLF	78207-116HLF	D	16	20.32 (0.80)				

SYSTEM MINI JUMP SHUNTS

Features:

- 1 Row: 2 Positions
- Reliable cost-effective alternatives to switches for on-board programming
- PV contacts have beryllium-copper springs to provide high retention and normal forces for excellent electrical performance after repeated cycle
- Stackable on 2.54mm (0.100") centers
- Closed top protects fingertips during application, but can be opened for inspection and testing
- Mates with .025" (0.64mm) square or round pins

Specifications:

- Housing: Thermoplastic polyester UL94V-0, Blue
- Contact: Body Material: Brass Spring Material: Beryllium-copper
- Current rating: 3 A max per contact
- Temperature rating: -55°C to +120°C
- RoHS compliant per FCI documentation



For quantities of 2000 and up, call for quote.

MOUSER STOCK NO.	FCI Part No.	Fig.	Plating	Price Each			
				1	100	500	1000
649-65474-001LF	65474-001LF	B	15µ" gold				
649-65474-002LF	65474-002LF	B	100µ" pure tin				
649-65474-010LF	65474-010LF	B	30µ" gold				
649-65474-004LF	65474-004LF	B	Gold flash				

LOW-PROFILE SHUNT JUMPER SYSTEM

Features:

- Economical, stackable jumper systems are applicable for bussing, programming and switch replacement.
- Standard two-position for .100" centers.
- Low-profile shunt stands .200" above PC board.
- Dual-beam, phosphor-bronze contacts, and black glass-filled thermoplastic polyester housing, rated UL94V-0.
- Shunts mate with .025" (0.64mm) square and round pins.
- RoHS compliant per FCI documentation

For quantities of 2000 and up, call for quote.

MOUSER STOCK NO.	FCI Part No.	Fig.	Plating	Price Each			
				1	100	500	1000
Low Profile							
649-68786-102LF	68786-102LF	E	15µ" gold				
649-68786-202LF	68786-202LF	E	30µ" gold				
649-68786-302LF	68786-302LF	E	100µ" pure tin				
High Body							
649-71363-102LF	71363-102LF	F	15µ" gold				
649-71363-202LF	71363-202LF	F	30µ" gold				
649-71363-302LF	71363-302LF	F	100µ" pure tin				