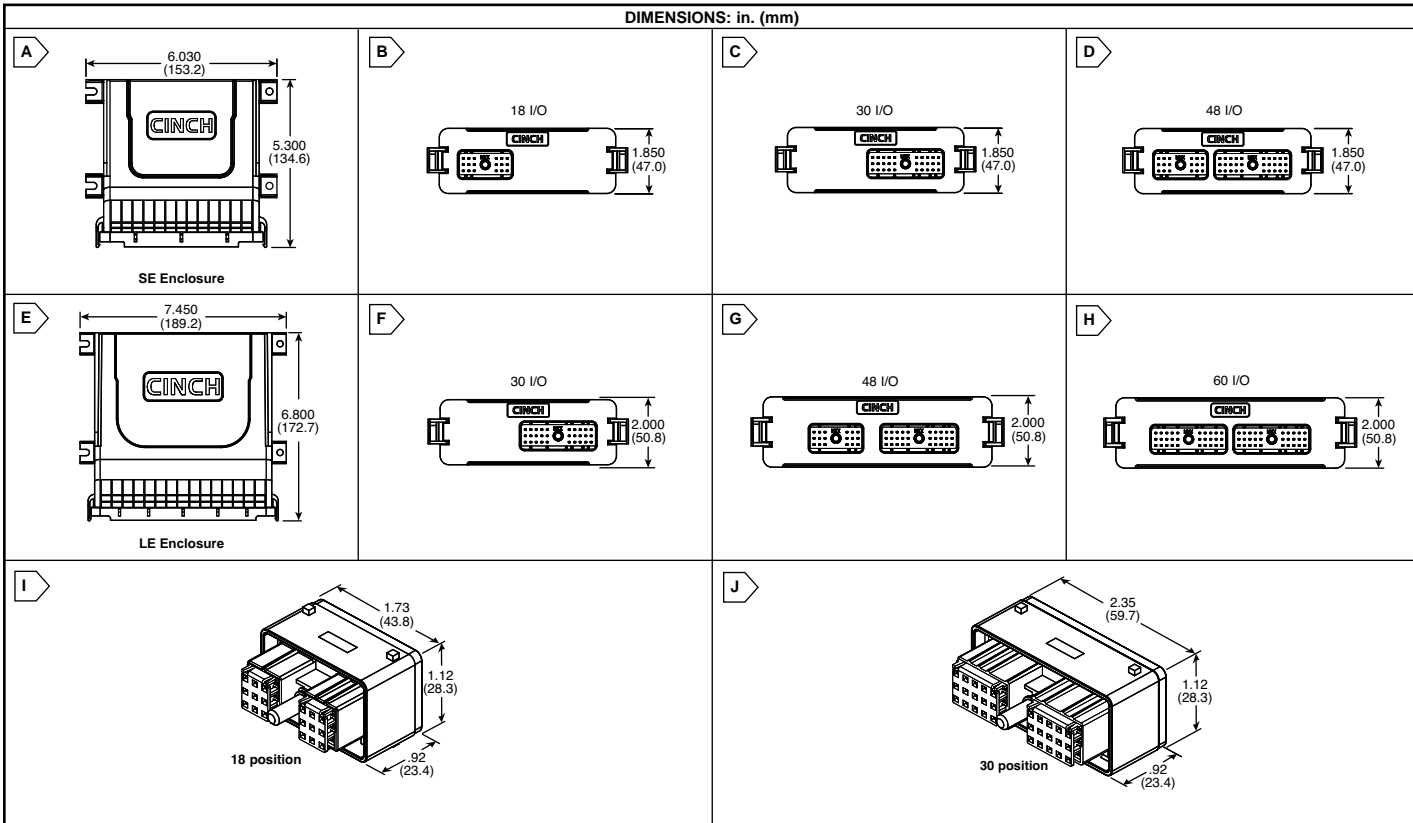


CINCH Modular Integrated Connector Enclosures



DIMENSIONS: in. (mm)



Cinch Rectangular Connectors

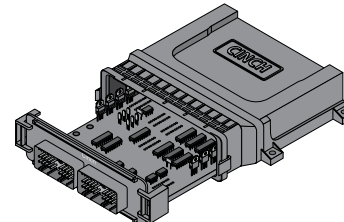
ModICE offers a high quality sealed electro-mechanical interface and is rated IP67 and IP69. Ideal for use in On/Off highway vehicles, agricultural, construction or material handling equipment and other specialty applications.

Features:

- Rugged connector enclosure system
- Header suited for wave and reflow soldering
- Header modularity allows for various designs (Coax, Power I/O, etc.)
- Heat Sink Option
- Ferrite Filtering Option
- Interfaces with Cinch SHS, industry standard harness connectors
- Simple Assembly
- Headers are preinstalled with contacts
- Measurements: SE: 6.030" (153.2) x 5.300" (134.6)
LE: 7.450" (189.2) x 6.800" (172.7)

Materials:

- Enclosure: Glass filled polymer
Glass filled, high temperature, polymer
- Left and Right Side: Spring needed for enclosures with a heat sink
- Terminals: Brass. Post Tin plated. Seals: Silicone



SE ENCLOSURE PARTS

For quantities of 10 and up, call for quote.

MOUSER STOCK NO.	Cinch Part No.	Fig.	Description	Price Each	
				1	5
538-581-01-30-043	581-01-30-043	A	SE Enclosure, Black without heat sink		
538-581-01-30-041	581-01-30-041	A	SE Enclosure, Black with 2 heat sink		
538-581-00-00-020	581-00-00-020	-	Left side spring for encls. w/ heat sink		
538-581-00-00-021	581-00-00-021	-	Right side spring for encls. w/ heat sink		
538-581-01-18-032	581-01-18-032	B	18 Position Black I/O Header		
538-581-01-30-044	581-01-30-044	C	30 Position Black I/O Header		
538-581-01-48-005	581-01-48-005	D	48 Position Black I/O Header		
538-581-01-18-033	581-01-18-033	B	18 Position Black I/O Filtered Header		
538-581-01-30-046	581-01-30-046	C	30 Position Black I/O Filtered Header		
538-581-01-48-007	581-01-48-007	D	48 Position Black I/O Filtered Header		

LE ENCLOSURE PARTS

For quantities of 10 and up, call for quote.

MOUSER STOCK NO.	Cinch Part No.	Fig.	Description	Price Each	
				1	5
538-581-01-60-033	581-01-60-033	E	LE Enclosure, Black without heat sink		
538-581-01-60-031	581-01-60-031	E	LE Enclosure, Black with 2 heat sink		
538-581-00-00-020	581-00-00-020	-	Left side spring for encls. w/ heat sink		
538-581-00-00-021	581-00-00-021	-	Right side spring for encls. w/ heat sink		
538-581-01-30-045	581-01-30-045	F	30 Position Black I/O Header		
538-581-01-48-006	581-01-48-006	G	48 Position Black I/O Header		
538-581-01-60-005	581-01-60-005	H	60 Position Black I/O Header		
538-581-01-30-051	581-01-30-051	F	30 Position Black I/O Filtered Header		
538-581-01-48-008	581-01-48-008	G	48 Position Black I/O Filtered Header		
538-581-01-60-006	581-01-60-006	H	60 Position Black I/O Filtered Header		

SHS HARNESS CONNECTORS

To configure harnesses to mate with the headers, please add the total positions of each harness in combination to match the number of positions of the header. For example:

One 18 position harness, 538-581-01-18-023 and one 30 position harness, 538-581-01-30-028 are to be used to mate with the 48 position I/O header. One 30 position harness, 538-581-01-30-028 and one 30 position Alternative Key harness, 538-581-01-30-029 are to be used with the 60 position I/O header.

* Only Mates to 538-581-01-60-005 in conjunction with 538-581-01-30-029

** Alternative Key Configuration

For quantities of 10 and up, call for quote.

MOUSER STOCK NO.	Cinch Part No.	Fig.	No. of Positions	Price Each	
				1	5
538-581-01-18-023	581-01-18-023	I	18		
*538-581-01-30-028	581-01-30-028	J	30		
**538-581-01-30-029	581-01-30-029	-	30		

CONTACTS & ACCESSORIES

For quantities of 50 and up, call for quote.

MOUSER STOCK NO.	Cinch Part No.	Description	Price Each	
			1	25
538-425-00-00-872	425-00-00-872	SHS terminal 20 AWG GXL, 18 AWG TXL		
538-425-00-00-873	425-00-00-873	SHS terminal 18 AWG GXL, 16 AWG TXL, 16 AWG GXL		
538-581-00-00-011	581-00-00-011	Cavity Seal Plug		

TOOLS

For quantities of 10 and up, call for quote.

MOUSER STOCK NO.	Cinch Part No.	Description	Price Each	
			1	5
538-581-01-18-920	581-01-18-920	Terminal Removal Tool		
538-599-11-11-612	599-11-11-612	Tool to open ModICE LE		
538-599-11-11-611	599-11-11-611	Tool to open ModICE SE		
538-599-11-11-615	599-11-11-615	Hand Crimp Tool for 425-00-00-872		
538-599-11-11-616	599-11-11-616	Hand Crimp Tool for 425-00-00-873		